



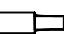
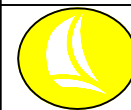


-  BARREL
-  #10 RING
-  3/8 RING
-  1/4 SLIDE
-  BULLET, PERMA SEAL
PN 19164-0052

PROPRIETARY INFORMATION: THIS DRAWING CONTAINS INFORMATION FOR WHICH HUNTER MARINE CORPORATION HAS PROPRIETARY RIGHTS.



HUNTER 27PS

DRAWING TITLE: STEREO HARNESS				
DRAWN BY: <i>JLK</i>	DATE: <i>July 27, 2008</i>	SHEET <i>1</i>	OF <i>1</i>	
SCALE:	HUNTER PART NO.	REVISION	DRAW #	