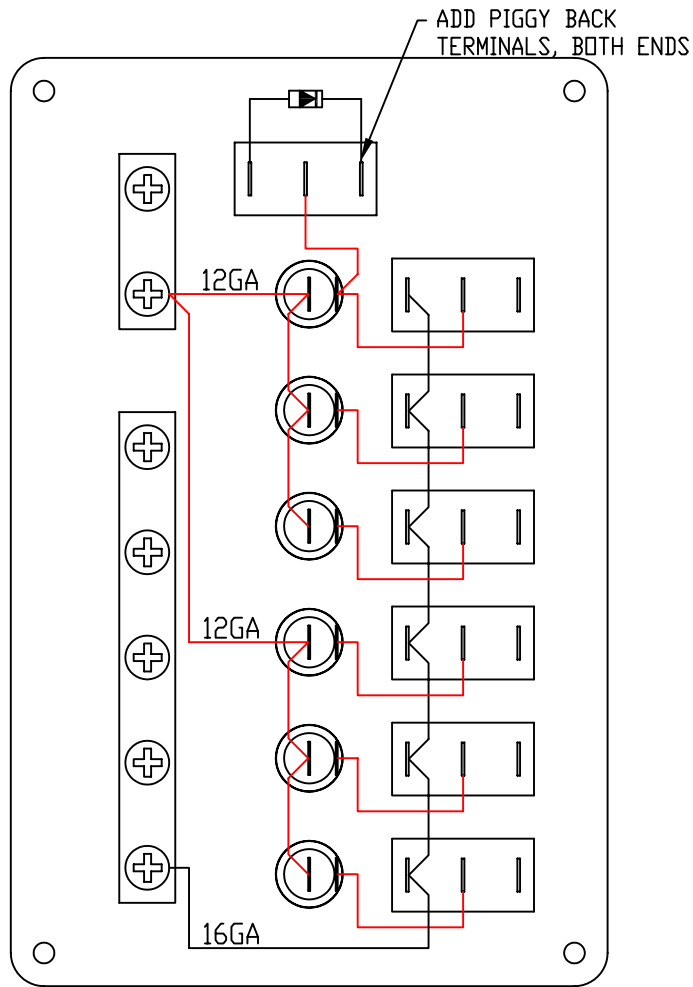



SYMBOL	REVISIONS	DATE	ENG



PN 1033664

<small>PROPRIETARY INFORMATION THIS DRAWING CONTAINS INFORMATION FOR WHICH HUNTER MARINE CORPORATION HAS PROPRIETARY RIGHTS.</small>				
		HUNTER		<i>27TE</i>
DRAWING TITLE: DC PANEL, VENDOR SCHEMATIC				
DRAWN BY: <i>JLK</i>	DATE: <i>03-Jun-08</i>	SHEET <i>1</i>	OF <i>1</i>	
SCALE: <i>1.000</i>	HUNTER PART NO. <i>TBD</i>	REVISION -	DRAW # <i>PANEL_DC_27PS_BACKSIDE</i>	

CHECKED