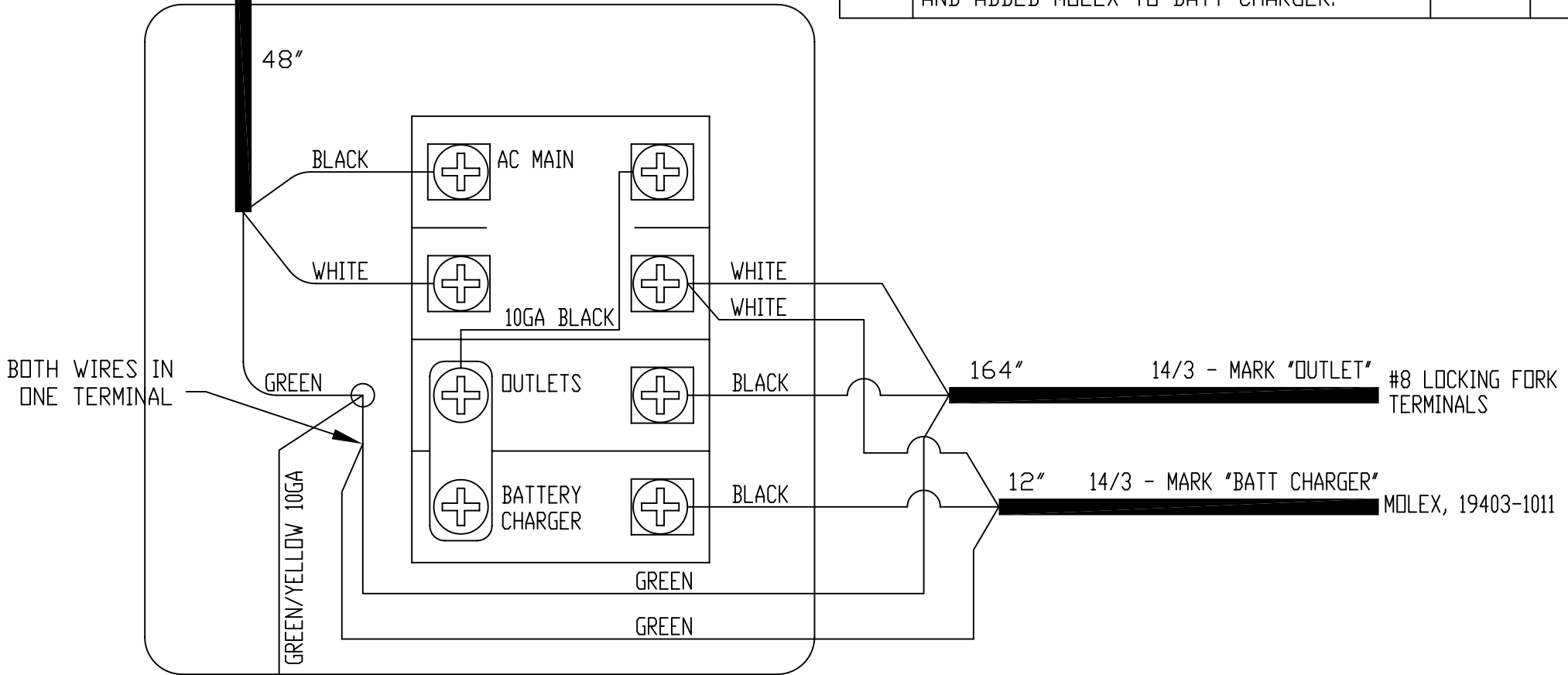
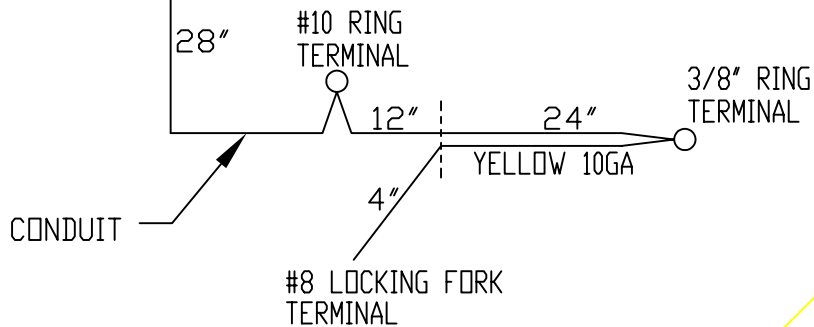


10/3 - MARK "SHORE PWR"
MOLEX, 19403-1300

SYMBOL	REVISIONS	DATE	ENG
A	ADDED GROUND HARNESS, ADJUSTED LENGTHS AND ADDED MOLEX TO SHORE PWR.	4/23/08	JLK
B	CHANGE LENGTH OF BATT CHARGER TO 12" AND ADDED MOLEX TO BATT CHARGER.	7/8/08	JLK



BOTH WIRES IN ONE TERMINAL



PROPRIETARY INFORMATION: THIS DRAWING CONTAINS INFORMATION FOR WHICH HUNTER MARINE CORPORATION HAS PROPRIETARY RIGHTS.

HUNTER 26PS

DRAWING TITLE:
PANEL, ACV SCHEMATIC

DRAWN BY: JLK	DATE: 15-Oct-07	SHEET 2	OF 2
SCALE: 0.750	HUNTER PART NO. TBD	REVISION -	DRAW # PANEL_ACV_26PS_SCH

CHECKED: