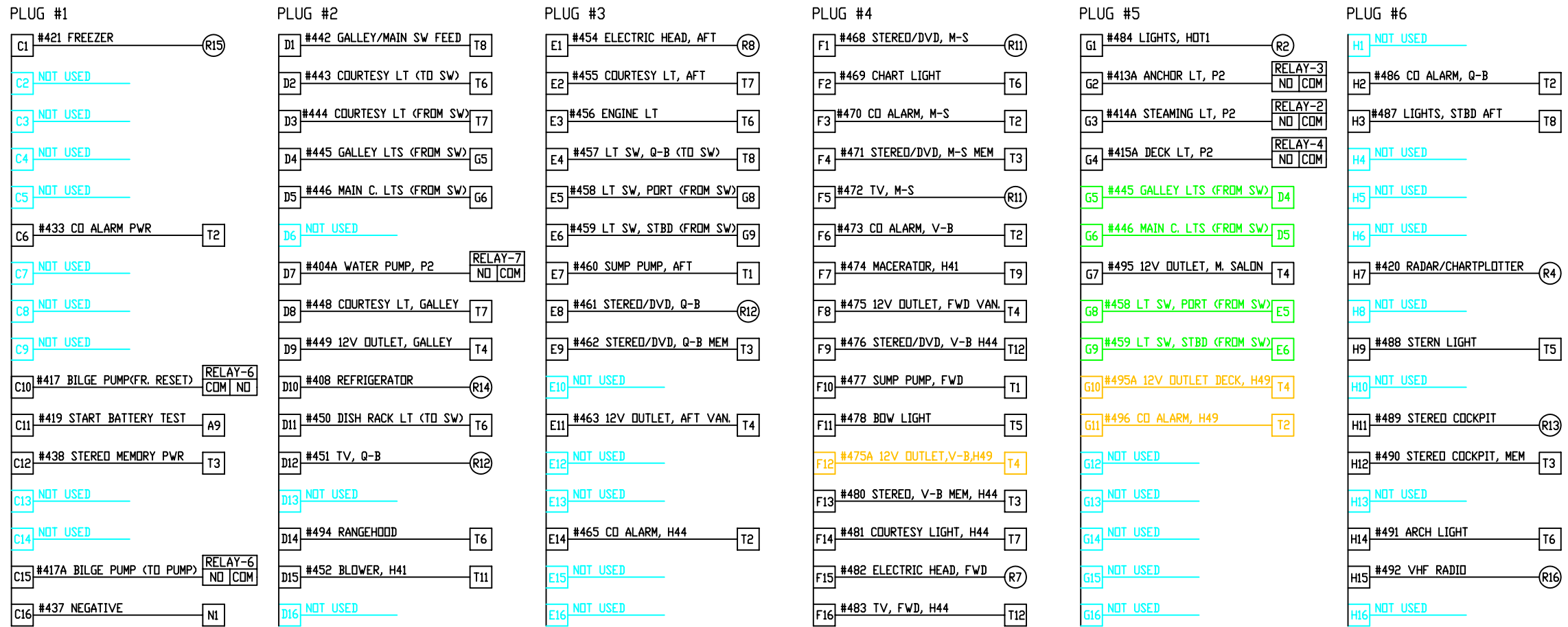
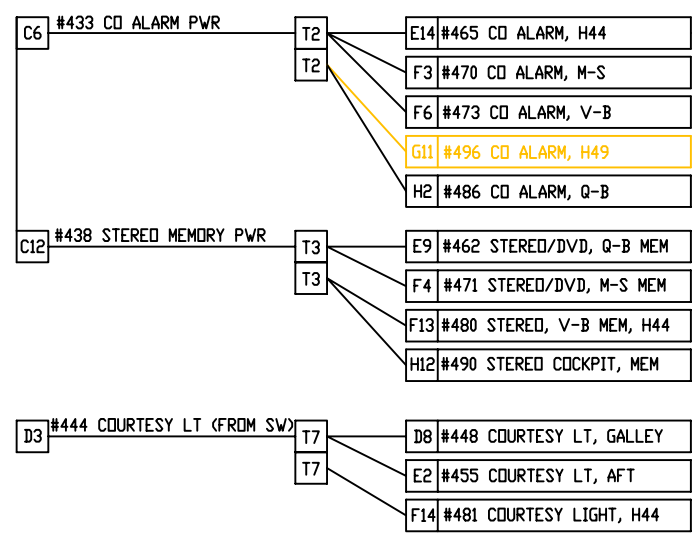


WIRES FROM CONNECTORS TO DESTINATION  
GREEN=CONNECTIONS ALREADY SHOWN IN PREVIOUS CONNECTORS



INDIVIDUAL CIRCUITS  
FLOW CHART, PART 1



**LEGEND**

- T = TERMINAL BLOCK
- R = CIRCUIT BREAKERS AND RESETS
- A-H = CONNECTOR PIN ASSIGNMENT
- RELAY- NO | CDM = RELAY CONTACTS
- CYAN = CIRCUITS NOT USED IN 45CC/49 OR FUTURE UPGRADES

PN 1031345 PAGE 1

PROPRIETARY INFORMATION: THIS DRAWING CONTAINS INFORMATION FOR WHICH HUNTER MARINE CORPORATION HAS PROPRIETARY RIGHTS.

**HUNTER GEN**

DRAWING TITLE: DC CIRCUIT PROTECTION CONTROL BOX

DRAWN BY: JLK DATE: 10/14/2005 SHEET: OF:

SCALE: HUNTER PART NO. 1031345 REVISION: DRAW #:

UPDATE - 10/26/2005  
UPDATE - 7/10/2006, PAGE 3