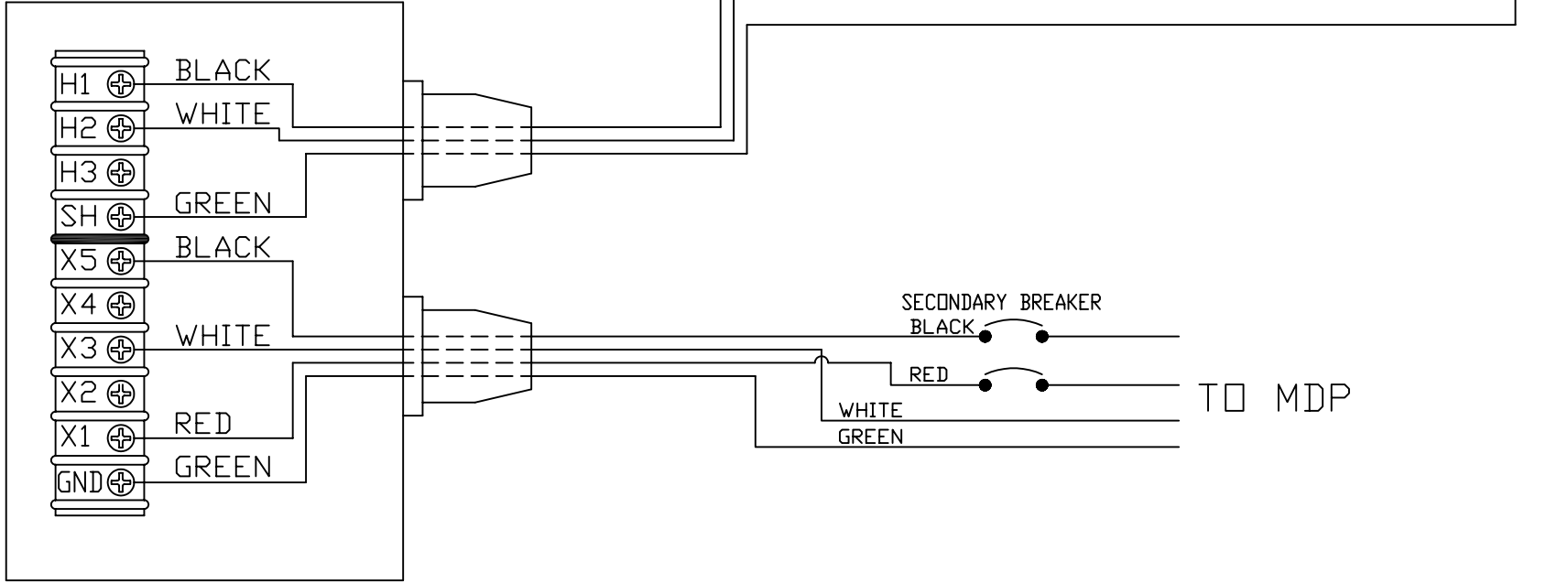


SHORE POWER INPUT - 120 VOLTS 60 Hz  
 - Move white wire from terminal H3 to H2.

120/240V 60 Hz  
 12 KVA Isolation Transformer



PAGE NA