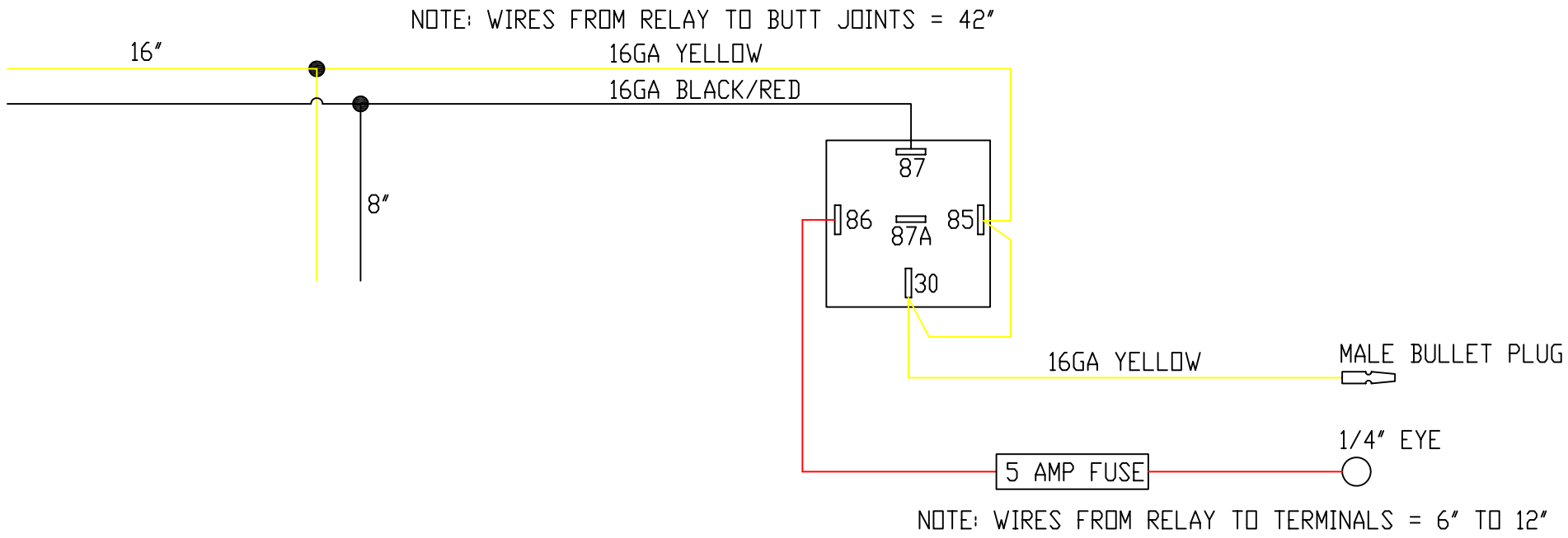
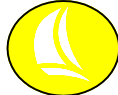


SYMBOL	REVISIONS	DATE	ENG



PROPRIETARY INFORMATION THIS DRAWING CONTAINS INFORMATION FOR WHICH HUNTER MARINE CORPORATION HAS PROPRIETARY RIGHTS.



H U N T E R 48

DRAWING TITLE: AUTO BATTERY SWITCH CONTROL				
DRAWN BY: JLK	DATE: 1/12/2006	SHEET	OF	
SCALE:	HUNTER PART NO.	REVISION	DRAW #	

CHECKED