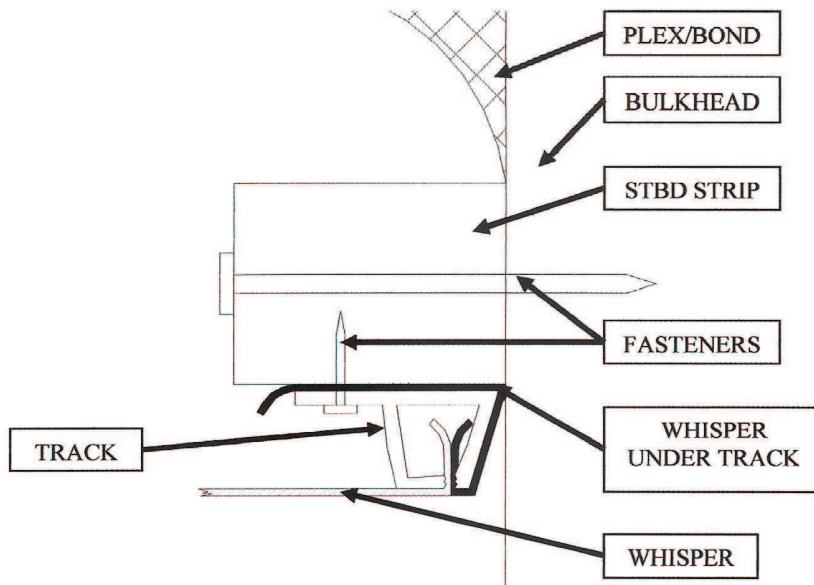
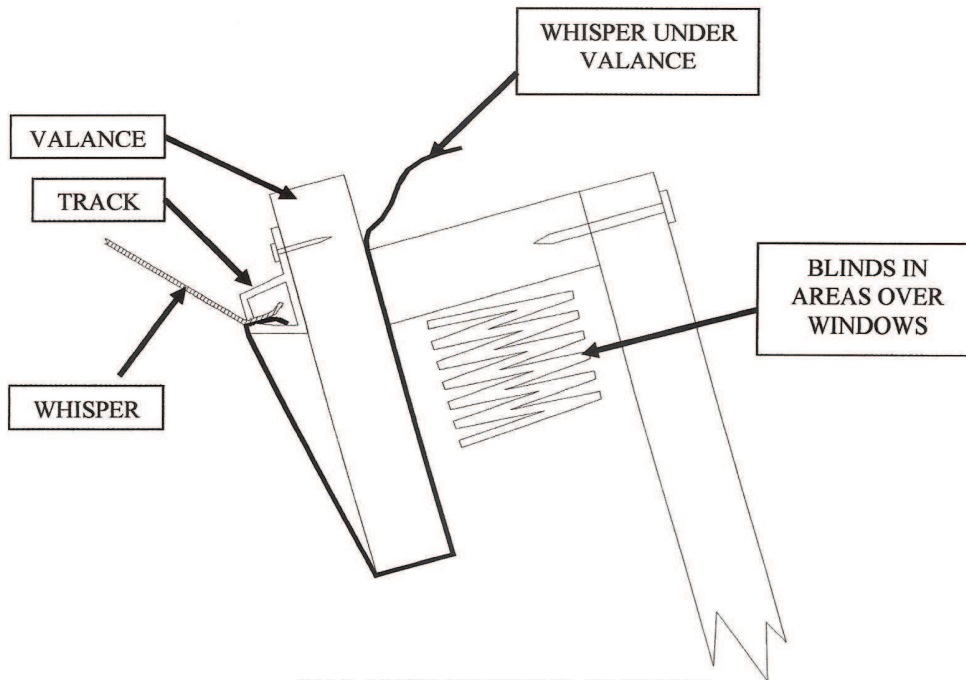


SOP FOR WHISPER INSTALLATION



BULKHEAD WHISPER SECTION
(NOT TO SCALE)



VALANCE WHISPER SECTION
(NOT TO SCALE)

Revision Dates:

Expected Time: 460 min.