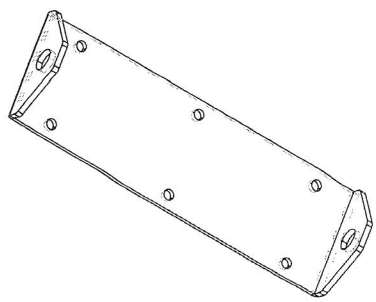
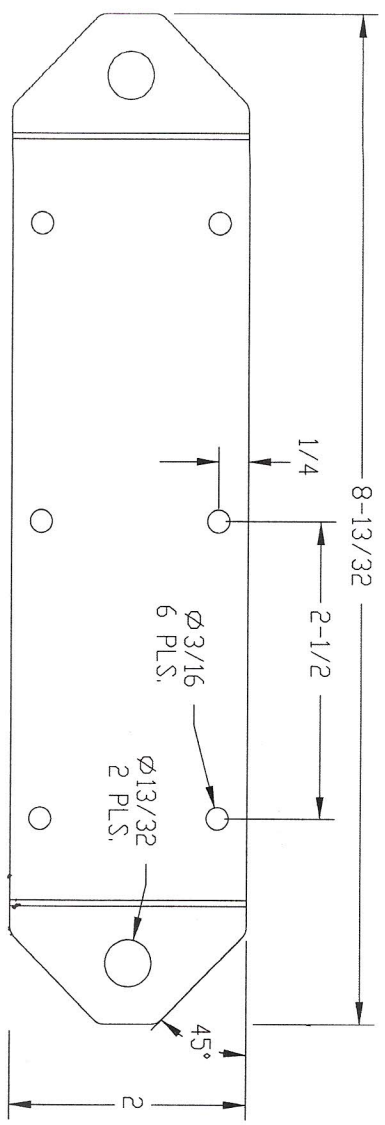
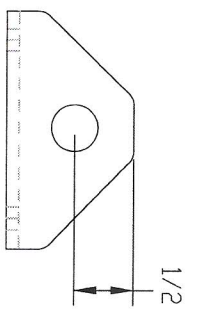
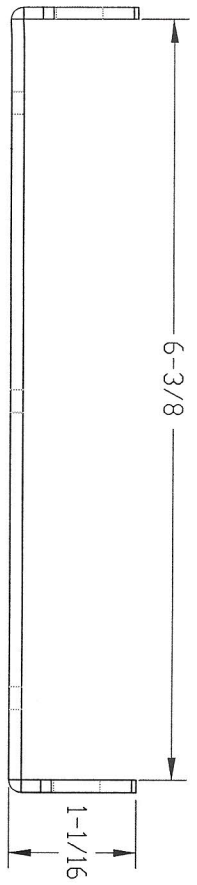


SYMBOL	REVISIONS	DATE	ENG
A	ORIGINAL ISSUE	20-Dec-07	AFF



SCALE 0.5000



- 140 & JY15 GUDGEON
 NOTES: SCALE=1000
 1. MATERIAL: 12 GA S.S. SHEET
 2. ALL DIMENSIONS ARE INCHES AND DEGREES
 3. ALL WELDS TO MEET AWS STANDARDS.
 4. BREAK AND DEBURR ALL EDGES
 5. BRIGHT POLISH AFTER FABRICATION

Dupes
~~140 & JY15 GUDGEON~~

REGARDLESS OF WHETHER THIS DRAWING CONTAINS INFORMATION FOR WHICH HUNTER HUNTER CORPORATION HAS PROPRIETARY RIGHTS.

HUNTERHAWK.COM

BRANDING TITLE: 140 & JY15 GUDGEON

DRAWN BY: AFF
 CHECKED BY: TBD
 DATE: 20-Dec-07
 REVISION: A
 SHEET: 1 OF 1
 SCALE: 1.0000
 HUNTER HAWK CORPORATION
 140 & JY15 GUDGEON