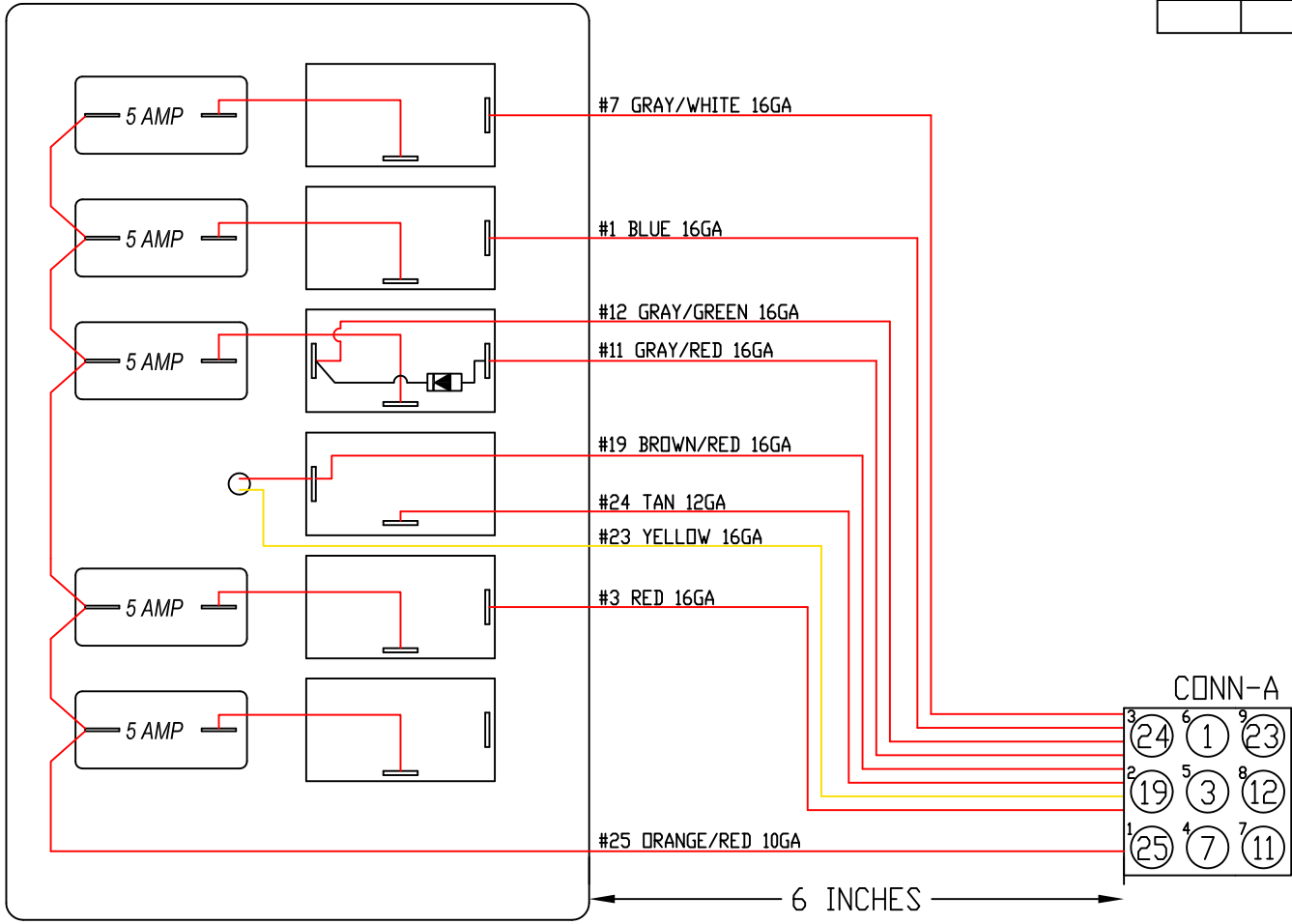


SYMBOL	REVISIONS	DATE	ENG



MATE-N-LOK II
 FEMALE HOUSING W/FEMALE PINS
 (VIEWED FROM THE BACKSIDE)

PROPRIETARY INFORMATION THIS DRAWING CONTAINS INFORMATION FOR WHICH HUNTER MARINE CORPORATION HAS PROPRIETARY RIGHTS.



DRAWING TITLE: 22 DC PANEL, W/CONNECTOR			
DRAWN BY: JLK	DATE: 31-Mar-10	SHEET 1	OF 1
SCALE: 1.000	HUNTER PART NO. TBD	REVISION -	DRAW # 22_DC_PANEL_SCH

CHECKED