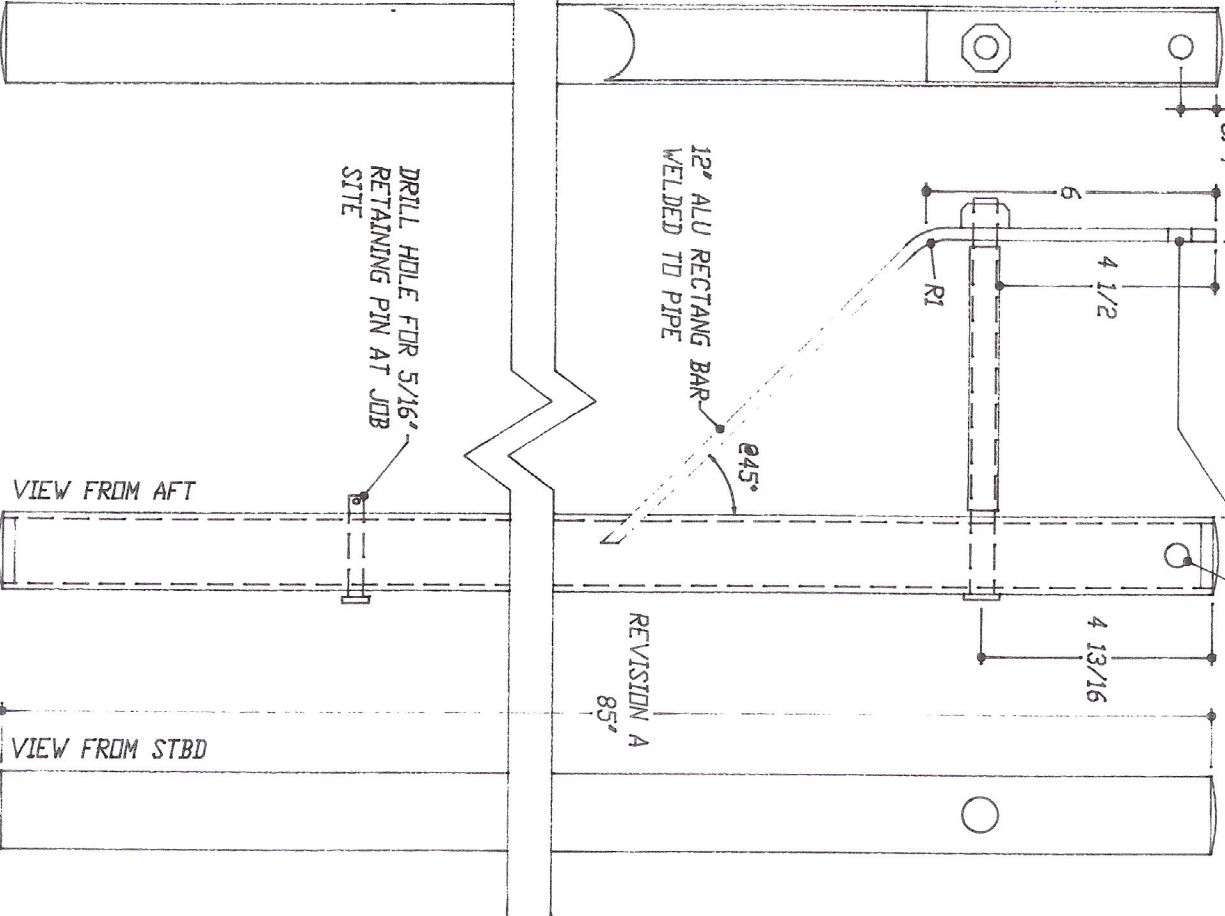


VIEW FROM PORT



REVISION B

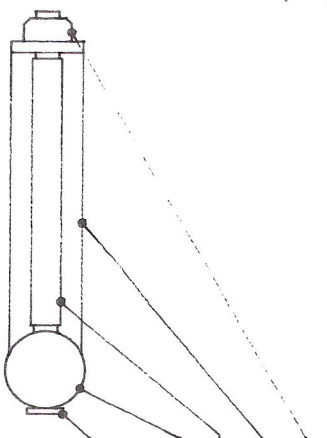
DRILL 1/2" HOLE FOR RETAINING LINE  
 DRILL 1/2" HOLE FOR RETAINING LINE  
 BREAK ALL EDGES

VIEW FROM AFT

VIEW FROM STBD

REVISION A  
 85°

- NOTES
1. COVER PIPE ENDS WITH PLASTIC CAPS
  2. BREAK ALL EDGES



VIEW FROM ABOVE

- NUT FOR 1/2" BOLT
- 1/4" X 1 1/2" ALU RECTANG BAR
- 1/2" ID PVC PIPE
- 1 1/4" SCH 40 ALU PIPE
- ALU PIPE TO BE ANODIZED
- PLASTIC CAPS ON ENDS
- 1/2" BOLT

NO.	DATE	REVISIONS	BY	CHKD
1	1/15/98	ISSUED FOR CONSTRUCTION	SMAN	MA
2	7/15/98	REVISED TO ADD 1/2" HOLE FOR RETAINING LINE	SMAN	MA
3	7/15/98	REVISED TO ADD 5/16" RETAINING PIN AT JOB SITE	SMAN	MA

PROJECT NO.	25-1
SCALE	AS SHOWN
DRAWN BY	SMAN
CHECKED BY	MA
DATE	7/15/98
PROJECT	H23 MAST CRUTCH
DESIGNER	SMAN
DATE	7/15/98
PROJECT NO.	25-1
SCALE	AS SHOWN
DRAWN BY	SMAN
CHECKED BY	MA
DATE	7/15/98
PROJECT	H23 MAST CRUTCH
DESIGNER	SMAN
DATE	7/15/98
PROJECT NO.	25-1
SCALE	AS SHOWN
DRAWN BY	SMAN
CHECKED BY	MA
DATE	7/15/98
PROJECT	H23 MAST CRUTCH
DESIGNER	SMAN
DATE	7/15/98