
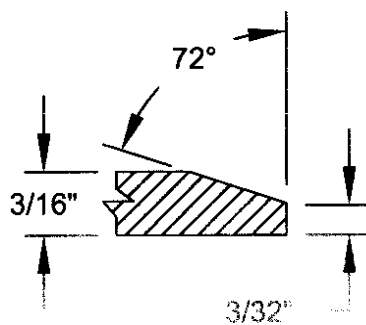
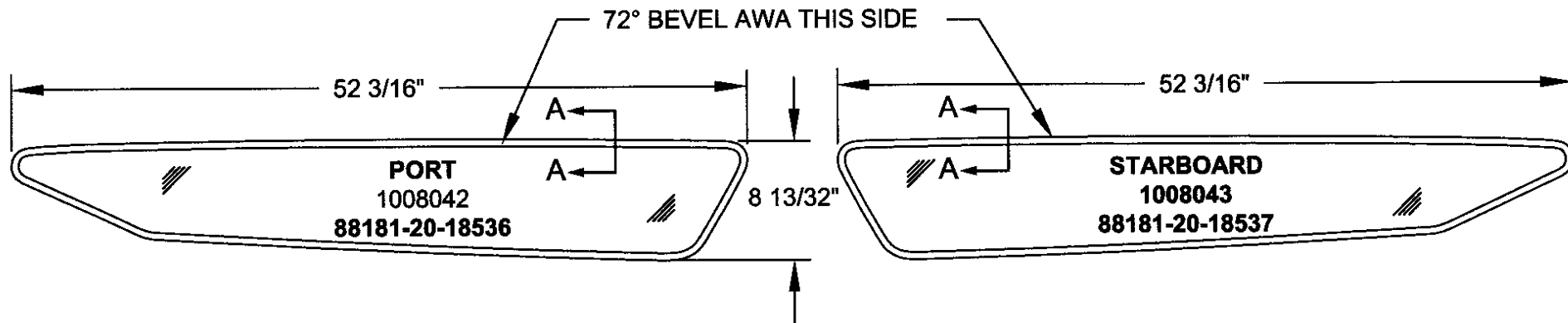


MATERIAL: 3/16" #2064 PLEXIGLASS.

FINISH: REMOVE ALL SHARP EDGES.

REV	ECN#	DATE	DESCRIPTION	BY

 Teak Isle, Mfg. 401 Capitol Court P.O. Box 417 Ocoee, Fla. 34761	COMPANY NAME:		MODEL:	
	HUNTER MARINE		240	
	TITLE: SMALL DECK WINDOWS		DRAWN BY: RANDY BECKWITH	SHEET 1 OF 1
	STBD CO. #: 1008045		APPROVED BY:	SIZE DWG. A
	PART#: 88181-20-18539		DATE: 2/16/2004	SCALE: NTS
PORT CO. #: 1008044		CAD/CAM #: HNT064,65		
PART#: 88181-20-18538				




SECTION A - A

MATERIAL: 3/16" #2064 PLEXIGLASS.

FINISH: REMOVE ALL SHARP EDGES.

REV	ECN#	DATE	DESCRIPTION	BY
A	28507	3/26/2007	CHANGE BEVEL TO THE RIGHT SIDE	RB

 Teak Isle, Mfg. 401 Capitol Court P.O. Box 417 Ocoee, Fla. 34761	COMPANY NAME: HUNTER MARINE		MODEL: 240
	TITLE: DECK WINDOWS STBD CO. #: 1008043 PART#: 88181-20-18537		DRAWN BY: RANDY BECKWITH SHEET <u>1</u> OF <u>1</u> TOLERANCES: ±1/32" SIZE DWG. A
	PORT CO. #: 1008042 PART#: 88181-20-18536		DATE: 2/16/2004 SCALE: NTS CAD/CAM #: HNT059