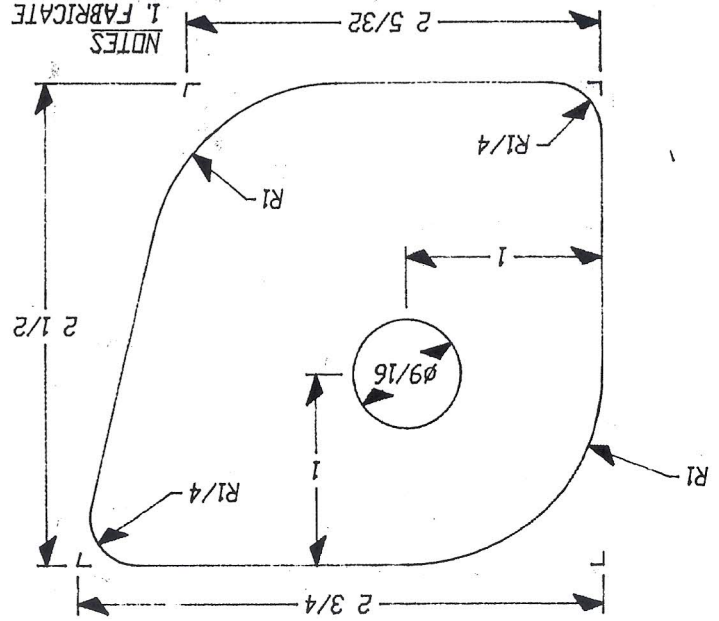
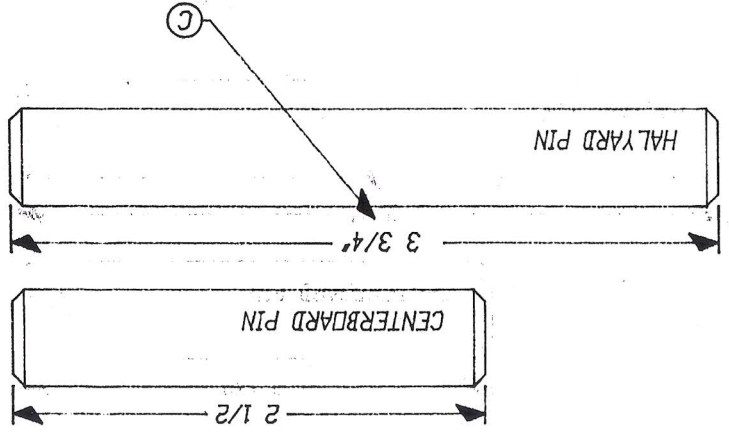


PROJECT NO.	H23-A-2027
DATE	7/13/92
DRAWN BY	SEAN
CHECKED BY	
SCALE	1=1
PROJECT TITLE	H23 HALYARD SHEAVE RETAINER
DRAWING TITLE	
DESIGNER	A
DATE	7/13/92
SCALE	1=1
PROJECT NO.	H23-A-2027

NOTES  
 1. FABRICATE FROM 1/8" WHITE UHMW  
 2. 1 PER BOAT



NOTES  
 1. FABRICATE FROM 1/2"  
 SS ROUND BAR  
 2. 1 OF EACH PIN PER BOAT  
 3. SAME 3 3/4" PIN USED ON  
 H 19 CENTERBOARD SHEAVE  
 SEE DWG#H19A2017B



NOTE: PINS AND RETAINER  
 TO BE USED WITH SCH.  
 62-051 SHEAVES - 2" ODX  
 1/2" ID. - 3 READ PER  
 BOAT

D	MATERIAL	2/10/93
C	PIN SHORTENED	2/9/93
B	PINS	7/23

REV	DATE	BY	DESCRIPTION
1	7/26/92		ISSUE
2			REVISED
3			REVISED
4			REVISED
5			REVISED
6			REVISED
7			REVISED
8			REVISED
9			REVISED
10			REVISED

HUNTER