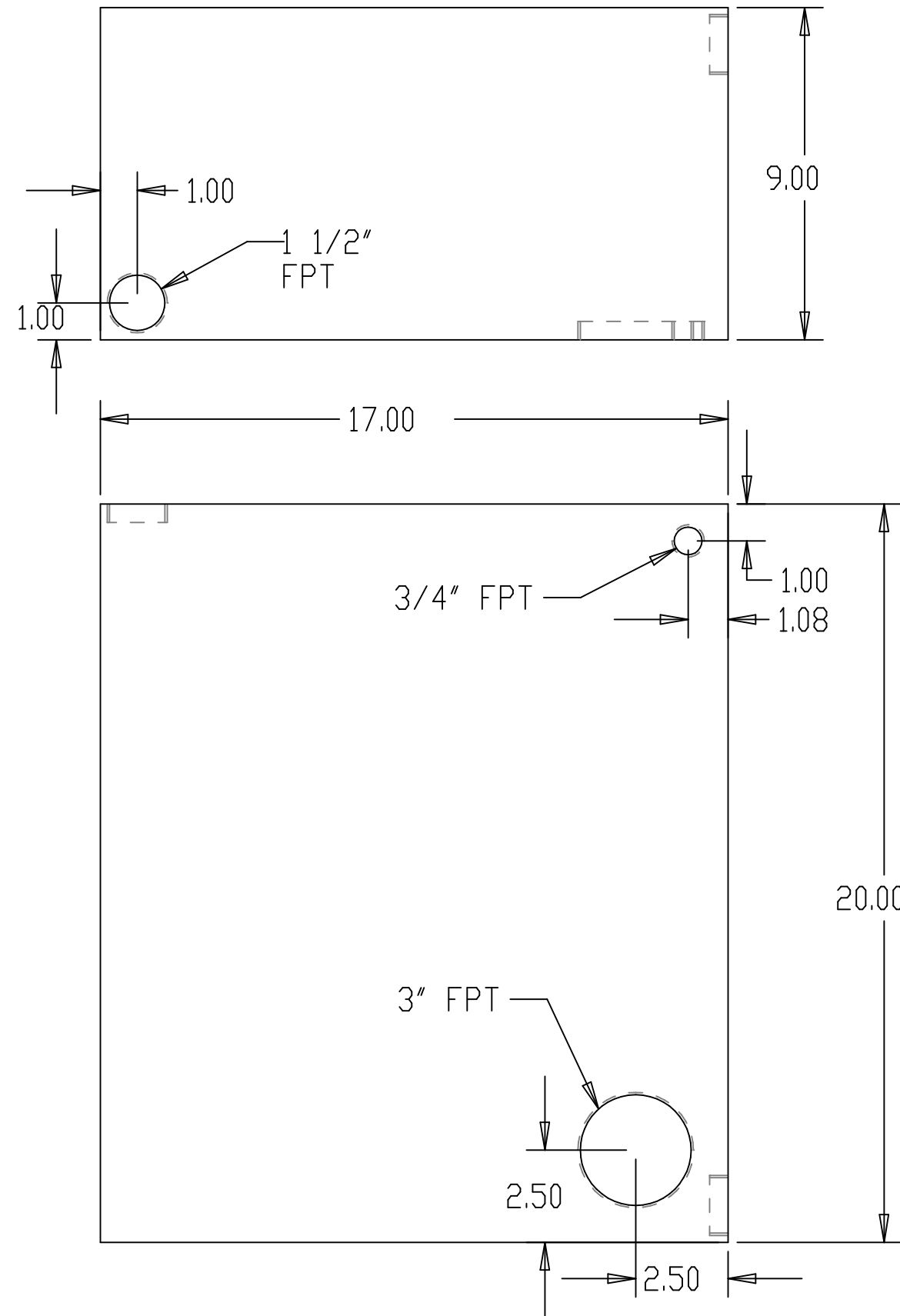
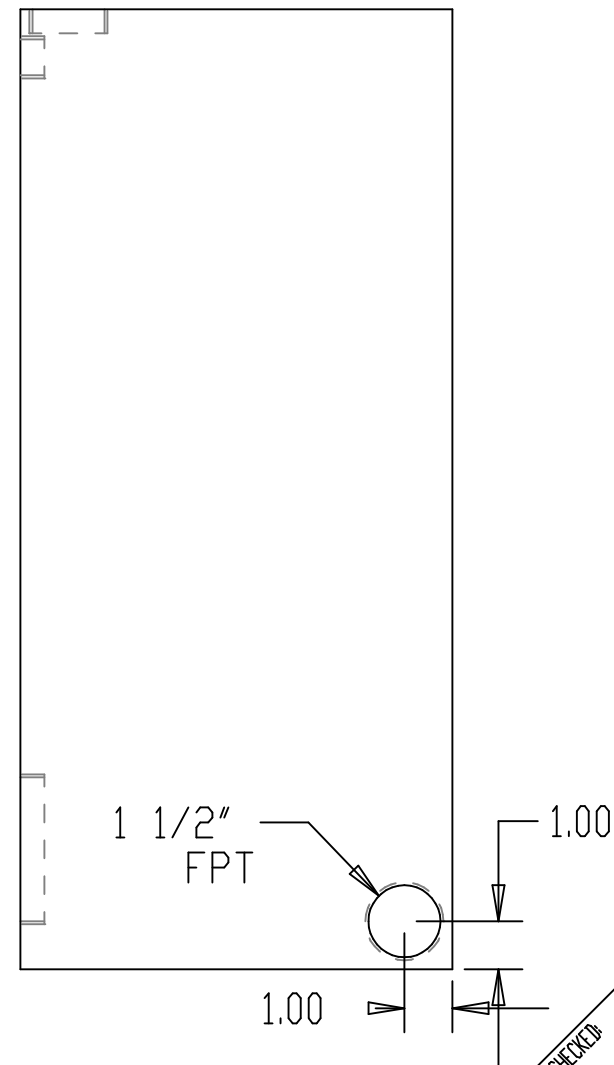



| SYMBOL | REVISIONS | DATE | ENG |
|--------|--------------------|----------|-----|
| A | TANK REDESIGNED LL | 9/23/97 | |
| B | ADD 3" CLEAN OUT | 04/23/04 | AFF |



MATERIAL: 5052-H-32 ALUMINUM
OR U.S.C.G. APPROVED PLASTIC
QUANTITY: ONE PER BOAT, WITH INBOARD.
TANK MUST MEET ALL USCG + ABYC STANDARDS.
ALL WELDS TO MEET WELDING SOCIETY STANDARDS.
BREAK ALL EDGES.
DURACAST TANK #103013



PROPRIETARY INFORMATION: THIS DRAWING CONTAINS INFORMATION FOR WHICH HUNTER MARINE CORPORATION HAS PROPRIETARY RIGHTS.



H U N T E R 260

DRAWING TITLE: *HOLDING TANK*

| | | | |
|----------------------|----------------------------|-----------------------|--------------------------------|
| DRAWN BY: <i>AFF</i> | DATE: <i>23-Apr-04</i> | SHEET <i>1</i> | OF <i>1</i> |
| SCALE: <i>0.250</i> | HUNTER PART NO. <i>TBD</i> | REVISION <i>FALSE</i> | DRAW # <i>260 HOLDING TANK</i> |