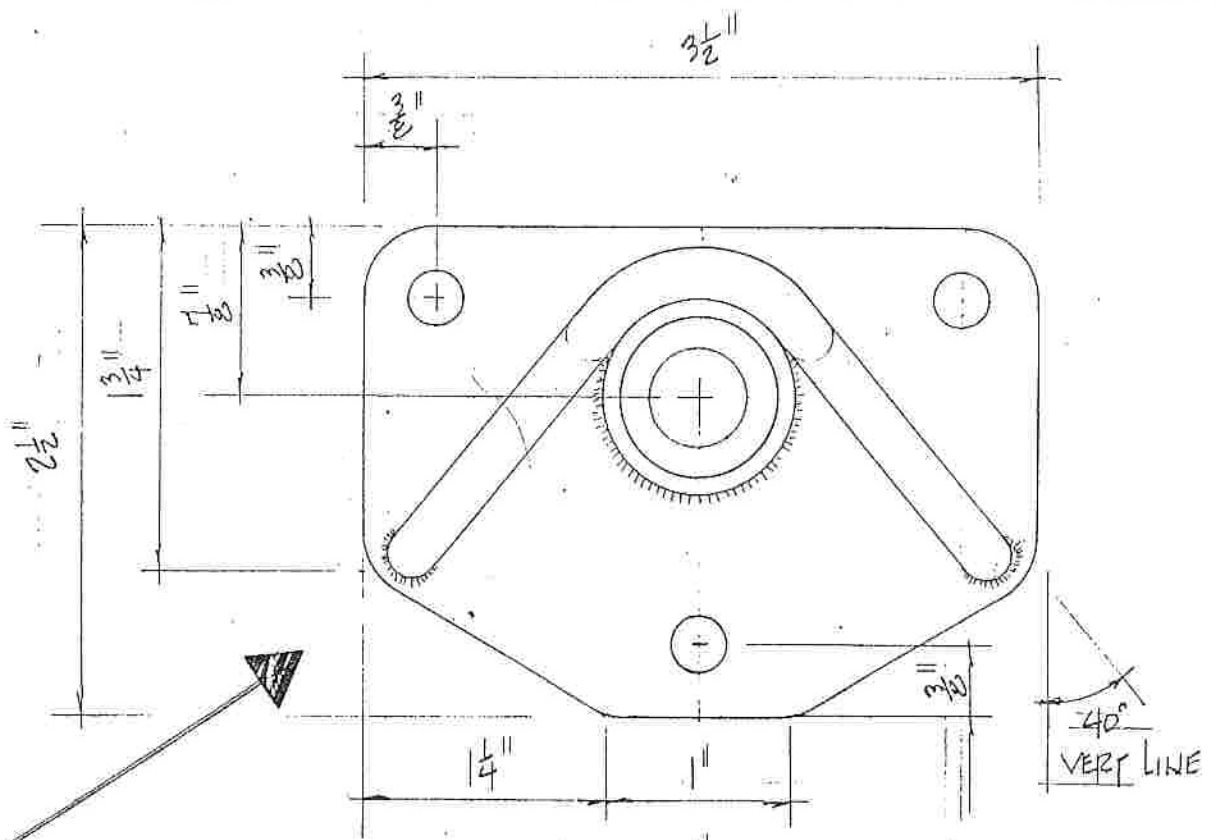


SCALE: 3" = 1'-0"



SCALE: FULL

NOTES:

QUANTITY: (4), 2 P. 5" & 2 P. 7 1/2"

### HUNTER MACHINE

SCALE: AS SHOWN	APPROVED BY:	DRAWN BY: GENE
DATE: 12-17-26		REVISED

H.W.S. STANCHION

DRAWING NUMBER  
165 & 1011