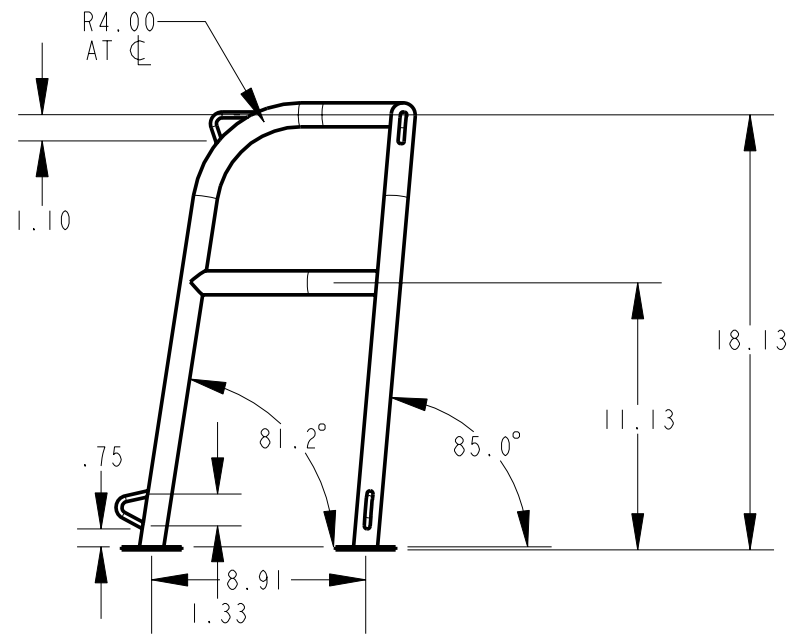
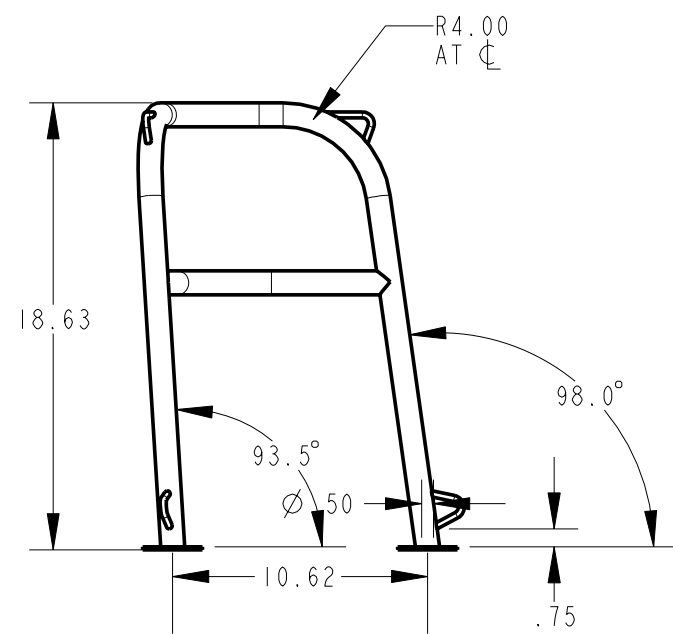
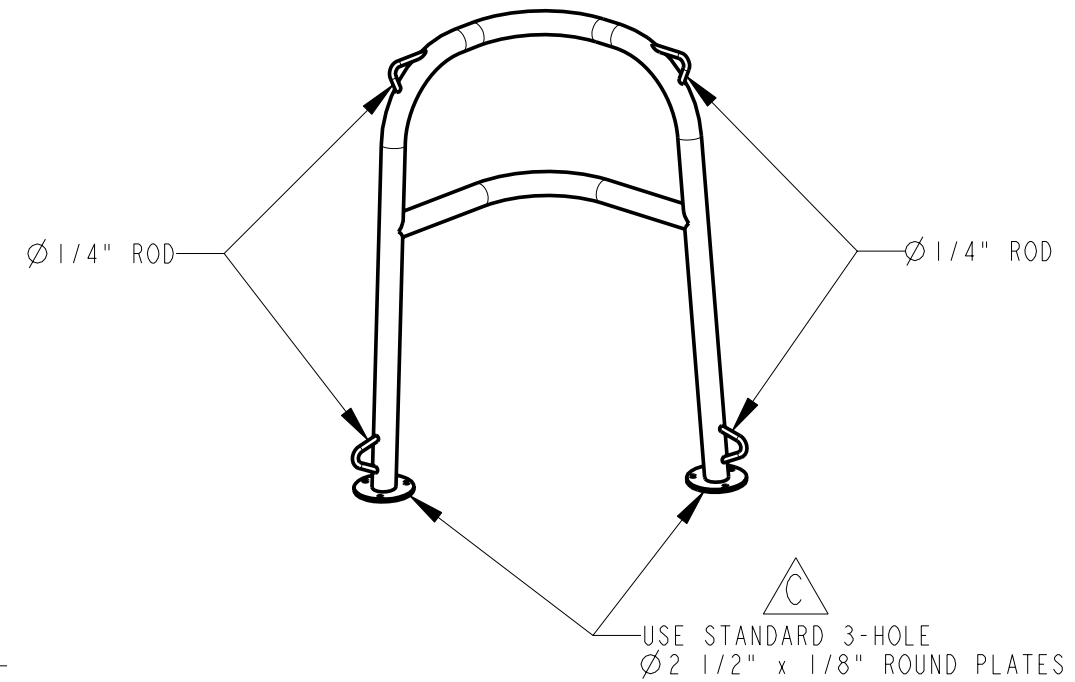
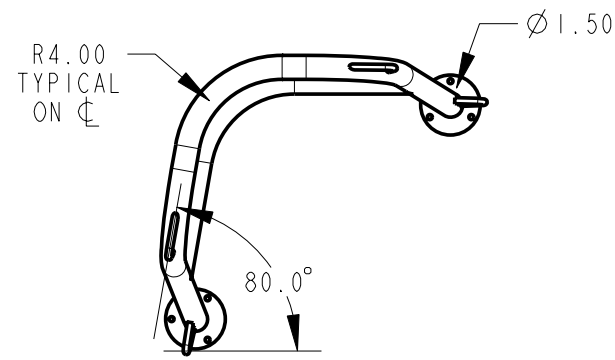


SYMBOL	REVISIONS	DATE	ENG
A	INITIAL RELEASE	5-24-04	ESA
B	ADD $\varnothing 1/4"$ ROD LOOPS	10-Sep-04	ESA
C	REMOVE ALL-THREAD AND 3/16" PLATE REPLACE WITH STANDARD 3-HOLE $\varnothing 2 1/2"$ x 1/8" ROUND PLATE	30-Aug-06	ESA



STERNRAIL  
 NOTES: SCALE=0.125  
 1. MATERIAL: STAINLESS STEEL  
 2. ALL DIMENSIONS ARE INCHES AND DEGREES  
 3. ALL WELDS TO MEET AWS STANDARDS.  
 4. BREAK AND DEBURR ALL EDGES  
 5. BRIGHT POLISH AFTER FABRICATION  
 QTY: 2 PER BOAT

PROPRIETARY INFORMATION: THIS DRAWING CONTAINS INFORMATION FOR WHICH HUNTER MARINE CORPORATION HAS PROPRIETARY RIGHTS.



DRAWING TITLE: <b>STERNRAIL</b>			
DRAWN BY: <b>JTM</b>	DATE: <b>24-May-04</b>	SHEET <b>1</b>	OF <b>1</b>
SCALE: <b>0.125</b>	HUNTER PART NO. <b>TBD</b>	REVISION <b>A</b>	DRAW # <b>27.STERNRAIL</b>

CHECKED: