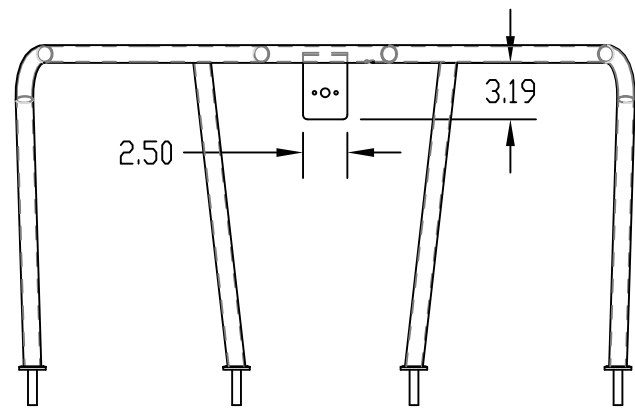
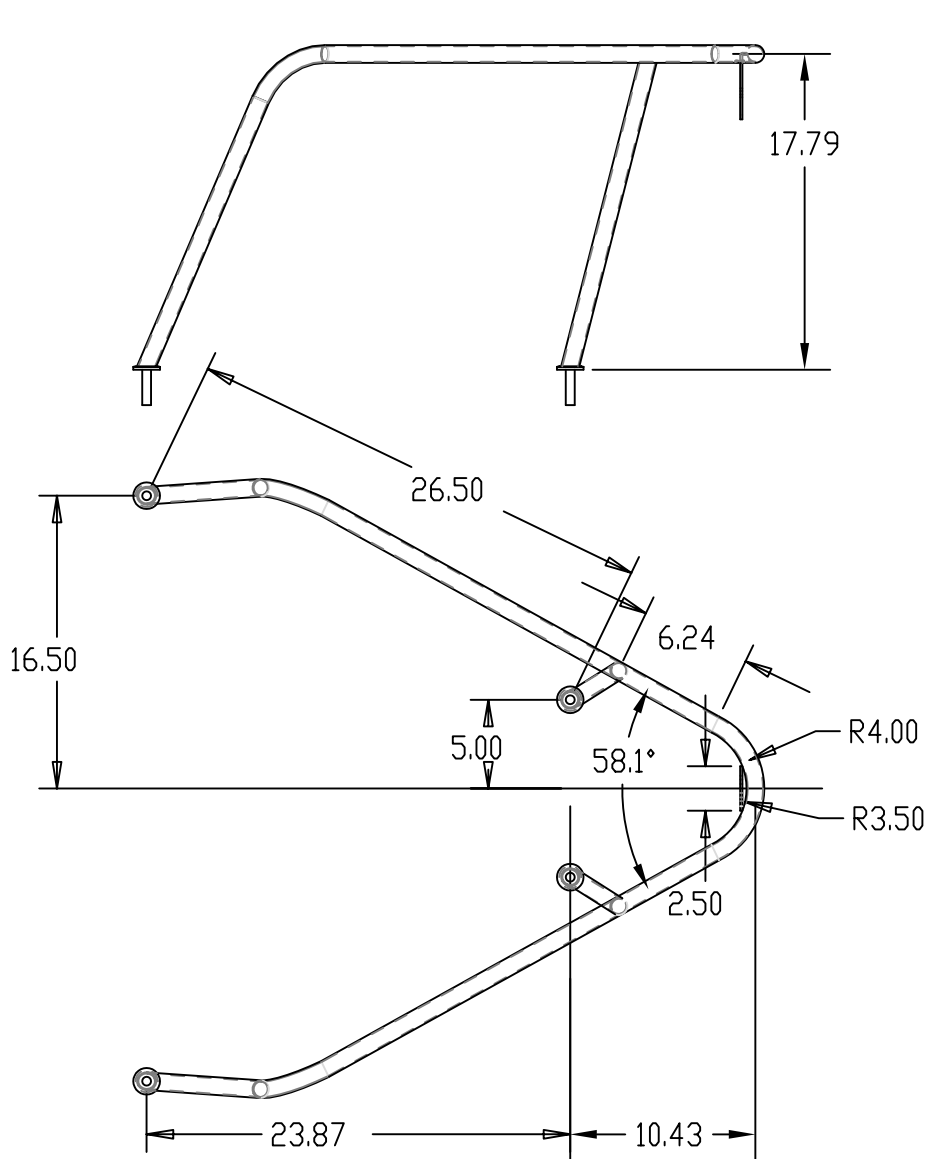


SYMBOL	REVISIONS	DATE	ENG
A	DRAWING ISSUED	5/25/04	JTM
E	CHANGE TO CLASSIC STYLE TOP RAIL	3-28-05	SMV




BOWRAIL

NOTES: SCALE= 0.125

1. MATERIAL: $\phi 1" \times .065"$ STAINLESS STEEL
2. ALL DIMENSIONS ARE INCHES AND DEGREES
3. ALL WELDS TO MEET AWS STANDARDS.
4. BREAK AND DEBURR ALL EDGES
5. BRIGHT POLISH AFTER FABRICATION

PROPRIETARY INFORMATION: THIS DRAWING CONTAINS INFORMATION FOR WHICH HUNTER MARINE CORPORATION HAS PROPRIETARY RIGHTS.



H U N T E R 27

DRAWING TITLE: BOWRAIL

DRAWN BY: JTM DATE: 14-May-04 SHEET 1 OF 3

SCALE: 0.125 HUNTER PART NO. TBD REVISION DRAW # 27 BOWRAIL

DETACH