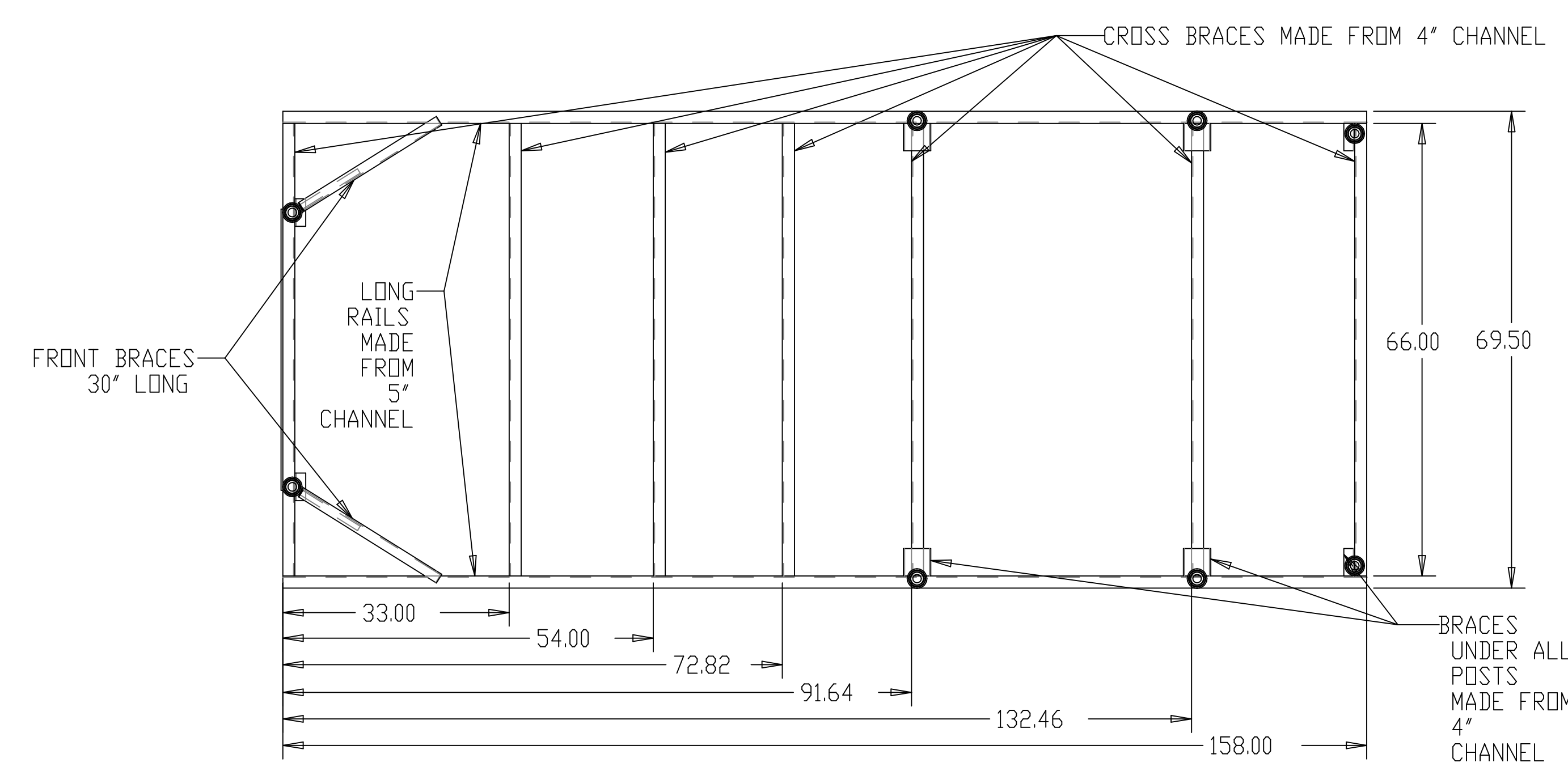
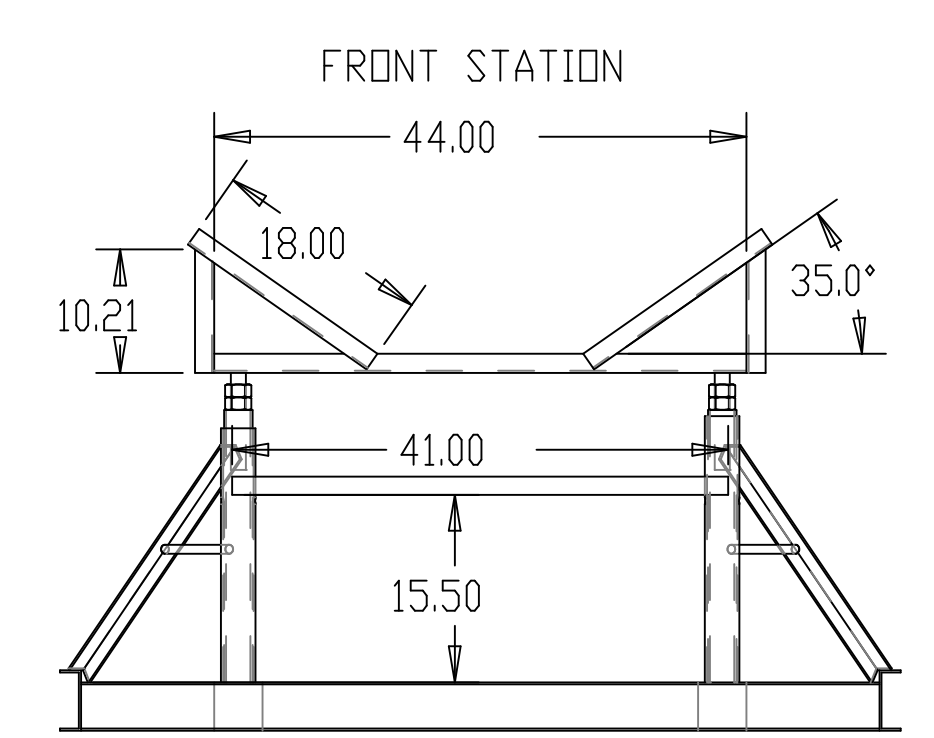
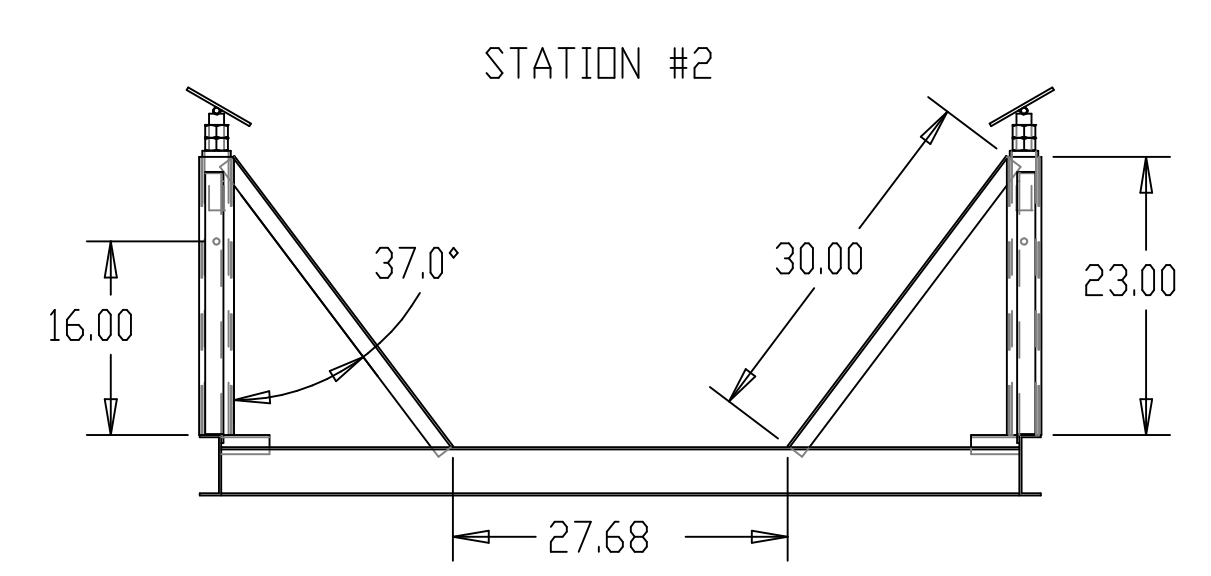
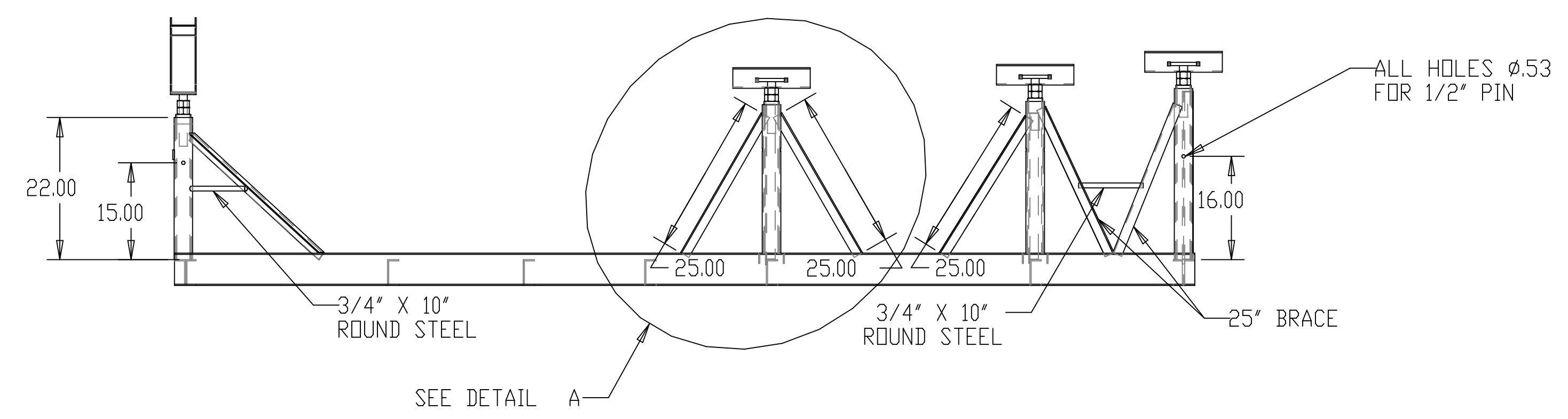
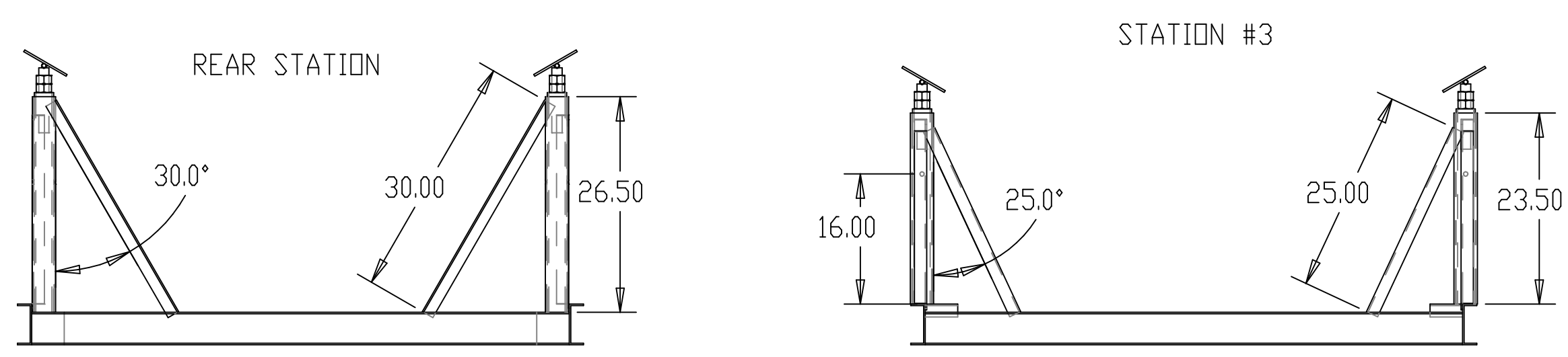
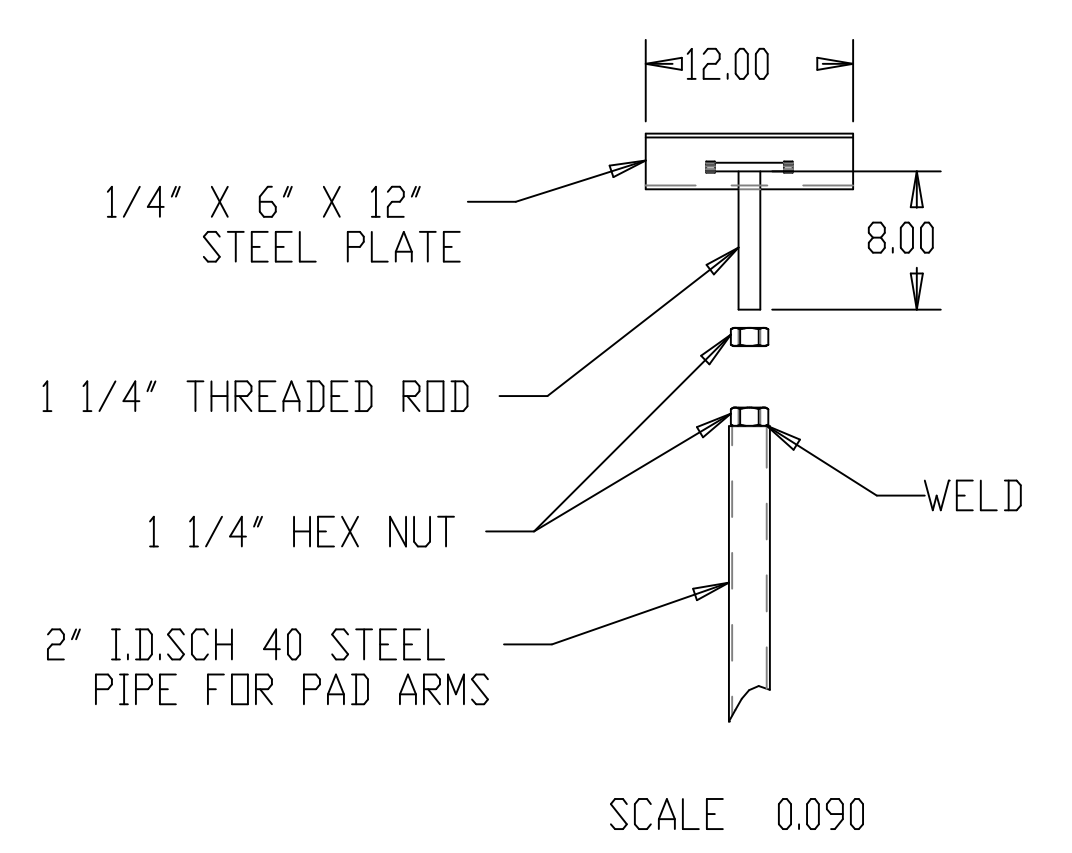


| SYMBOL | REVISIONS   | DATE    | ENG |
|--------|-------------|---------|-----|
| A      | PRELIMINARY | 5/05/04 | AFF |

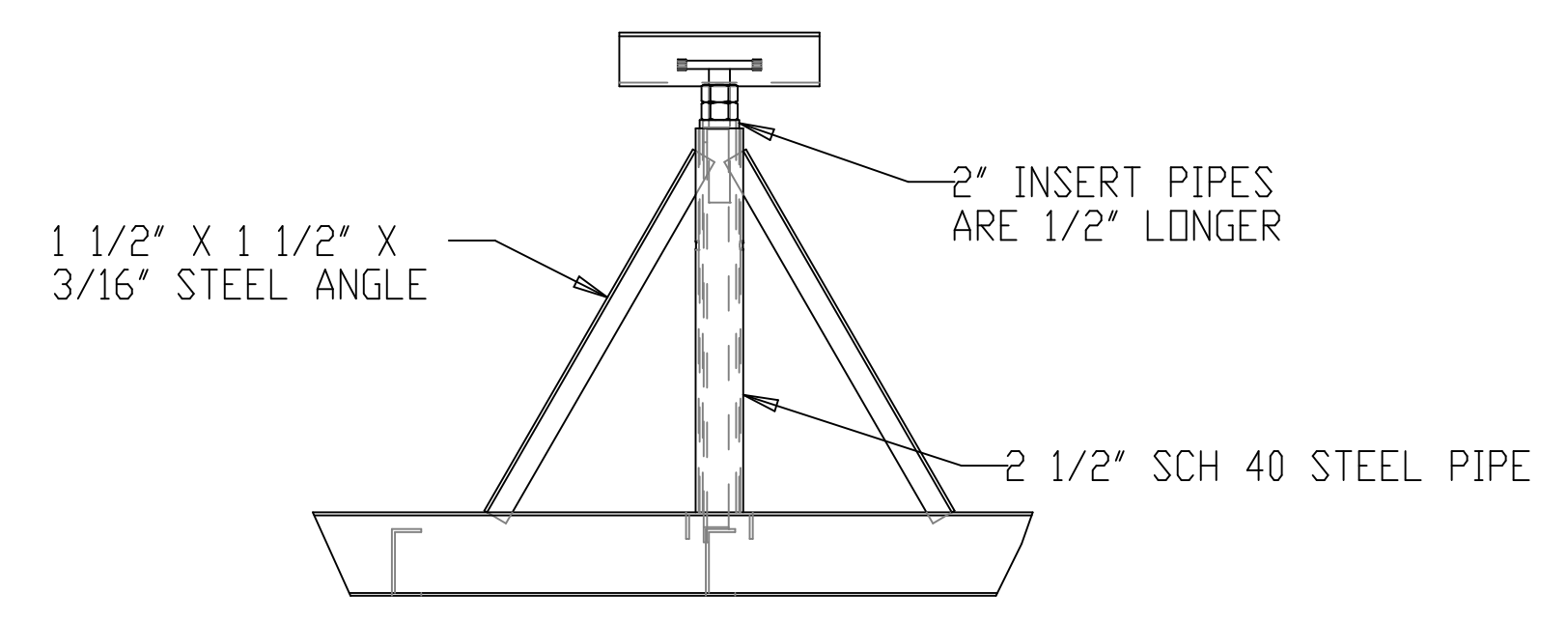


ADJUSTABLE PAD SUPPORT

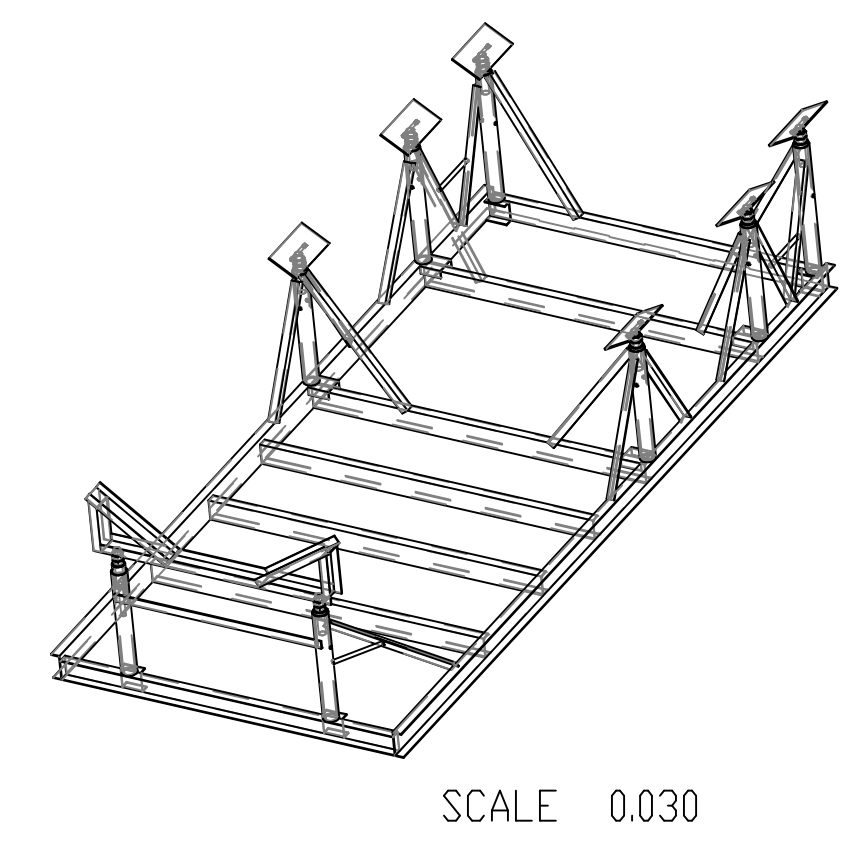


SCALE 0.090

TYPICAL PAD SUPPORT BRACE



DETAIL A  
SCALE 0.090



SCALE 0.030

- MATERIALS:
- 5" X .19" X 1.75" STEEL CHANNEL
  - 4" X .18" X 1.58" STEEL CHANNEL
  - 1 1/2" X 1 1/2" X 3/16" STEEL ANGLE
  - 2" I.D. SCH 40 STEEL TUBE
  - 2 1/2" I.D. SCH 40 STEEL TUBE
  - 1/4" X 1 1/4" FLAT STEEL
  - 3/4" DIA. STEEL ROD

PROPRIETARY INFORMATION THIS DRAWING CONTAINS INFORMATION FOR WHICH HUNTER WARE CORPORATION HAS PROPRIETARY RIGHTS.

**HUNTER** 27

DRAWING TITLE: 27 SHIPPING CRADLE

|               |                     |           |                           |
|---------------|---------------------|-----------|---------------------------|
| DRAWN BY: AFF | DATE: 04-May-04     | SHEET: 1  | OF: 1                     |
| SCALE: 0.063  | HUNTER PART NO: TBD | REVISION: | DRAW # 27 SHIPPING CRADLE |