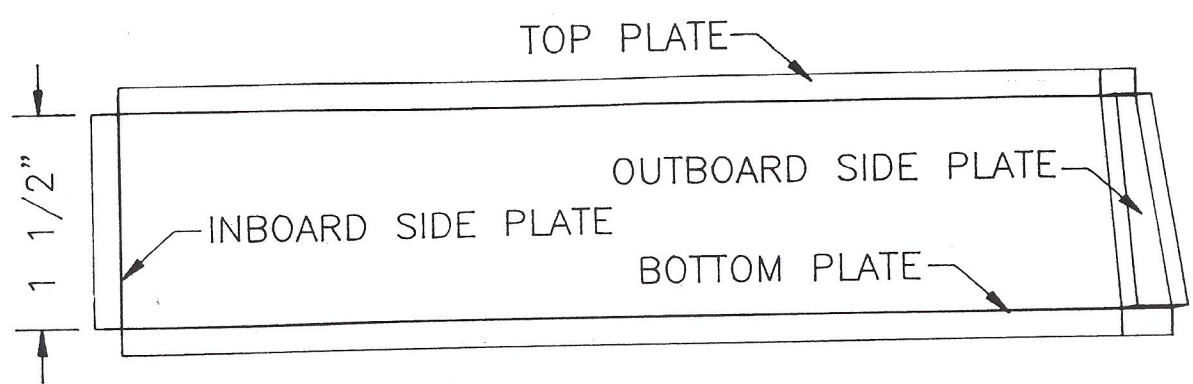
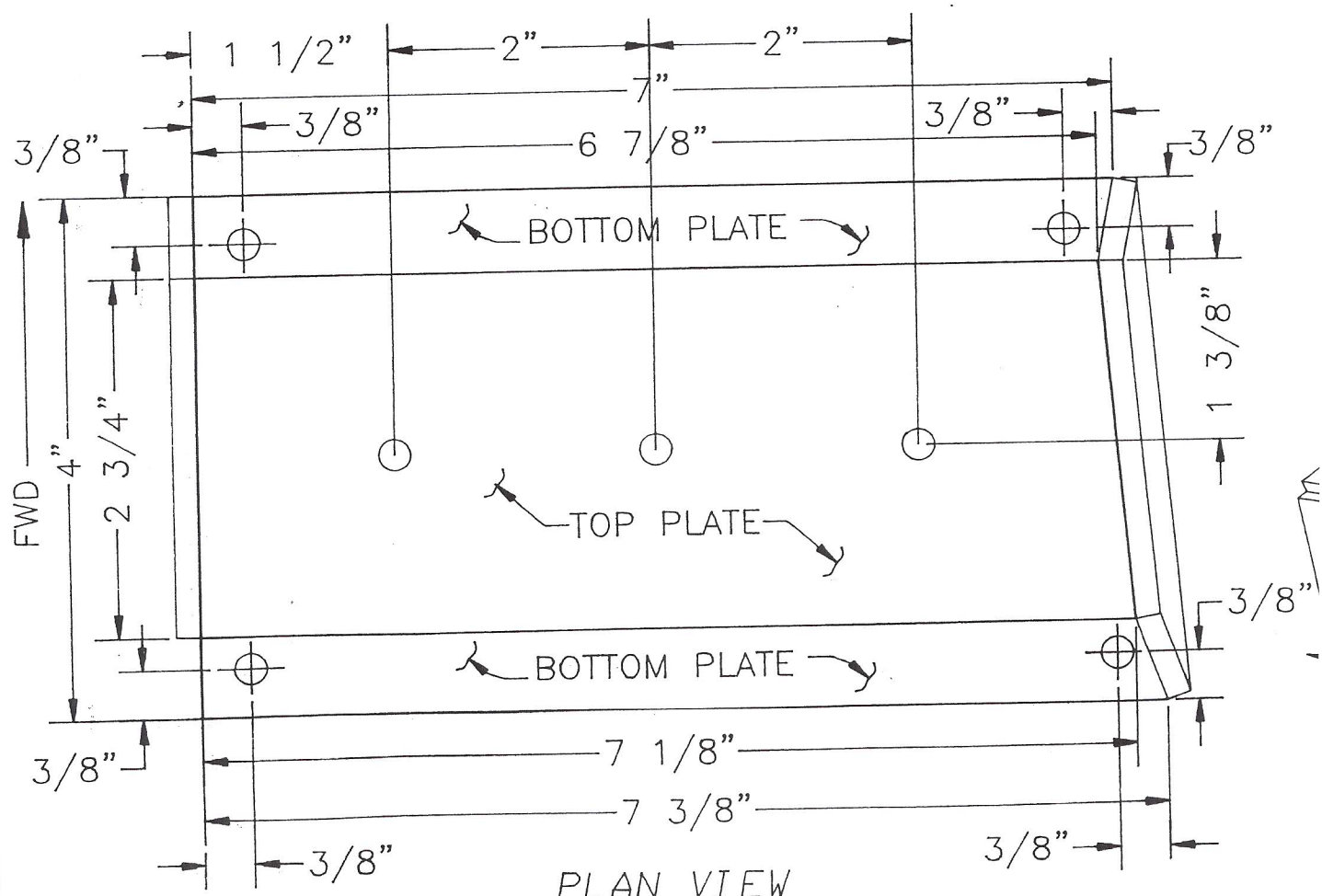


1



SECTION VIEW

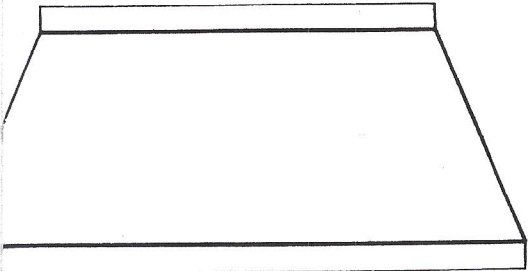


PLAN VIEW

STRB'D BKT SHOWN
PORT BKT SIMILAR OPPOSITE HAND

2

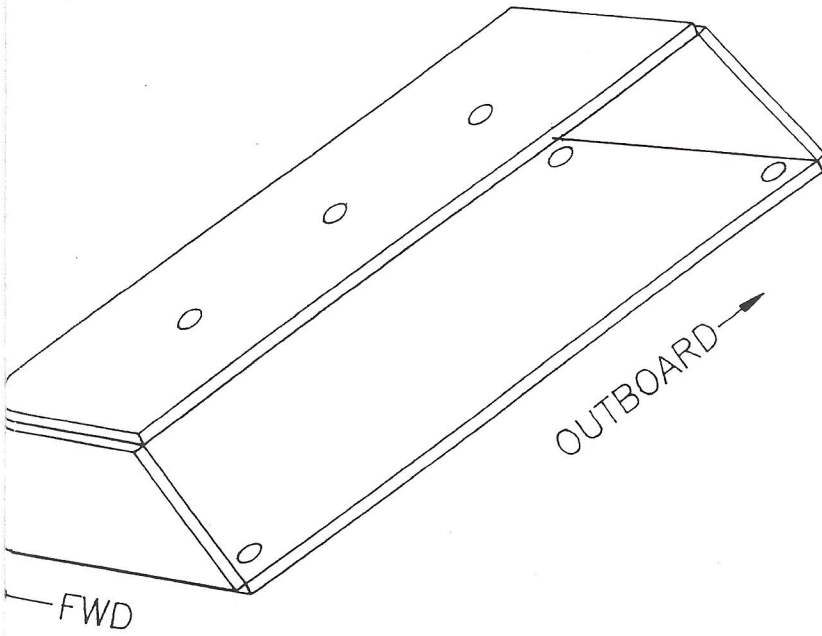
→ 1



PROFILE VIEW

NOTES:

- USE 304 S. S PLATE \triangle
3/16" THICK.
- TWO (2) BKTS PER BOAT
WELDS ALL CORNERS
- CONTINUOUS INSIDE & OUT.
PORT BKT SIMILAR , OPP.
- HAND
DRILL FOR 1/4 FASTENERS



ISO VIEW

NO.		NOTES	

A		USE 3/16" SS PLATE	6.26.95	EJH
SYMBOL	REVISIONS	DATE	NAME	

Handwritten signature/initials and date: EJH 6/26/95



REV. NO.	REV. DESCRIPTION
6	
5	
4	
3	
2	
1	
0	

Handwritten in row 1: 6-26/3

DRAWING TITLE	
H280 TRAVELER BRACKET	
DRAWING NO.	REVISION NO.
H2802019	A
SHEET 1 OF 1	HUNTER PART NO. N/A
DRAWN BY: EJH	CHECKED BY:
DATE: 6.7.95	DATE: -/-
PLANT SCALE: NA	PAPER SIZE: B
SCALE: 3/4" = 1"	

→ 2