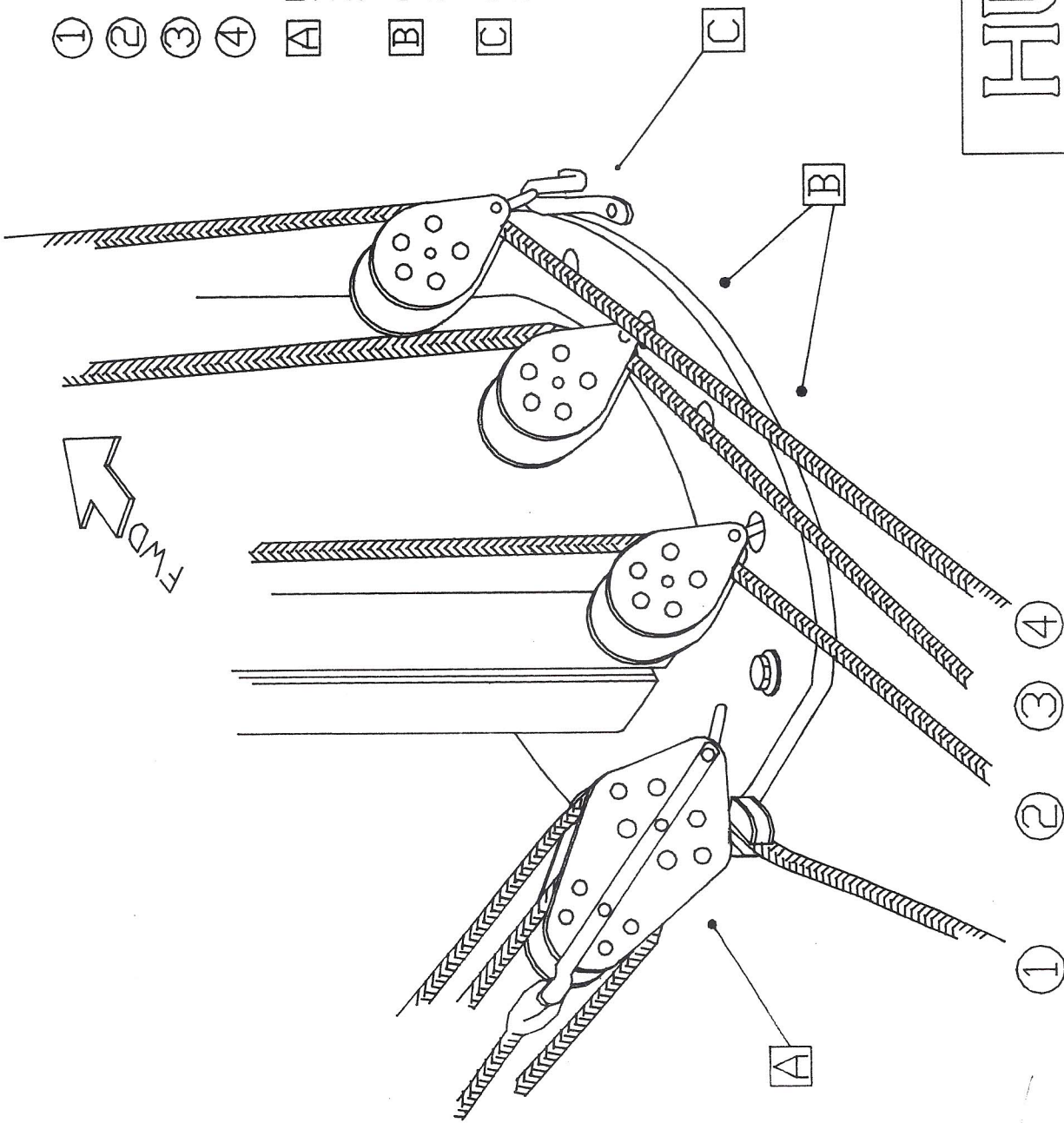


- ① REEF LINE
- ② MAIN HALYARD
- ③ JIB HALYARD
- A DOUBLE BLOCK SCHAEFER #501-23
- B SINGLE BLK. SCH. #501-03
- C FIDDLE BLK. SCH. #501-45
- D FIDDLE WITH BECKET & CAM CLEAT SCH. #25-55
- E (3) SINGLE BLKS SUPPLIED BY MAST MANUF.
- F DECK ORGANIZER (4 SHEAVE) GAR.
- G TRIPLE BLK. WITH BECKET & CAM CLEAT SCH. #501-93

HUNTER 

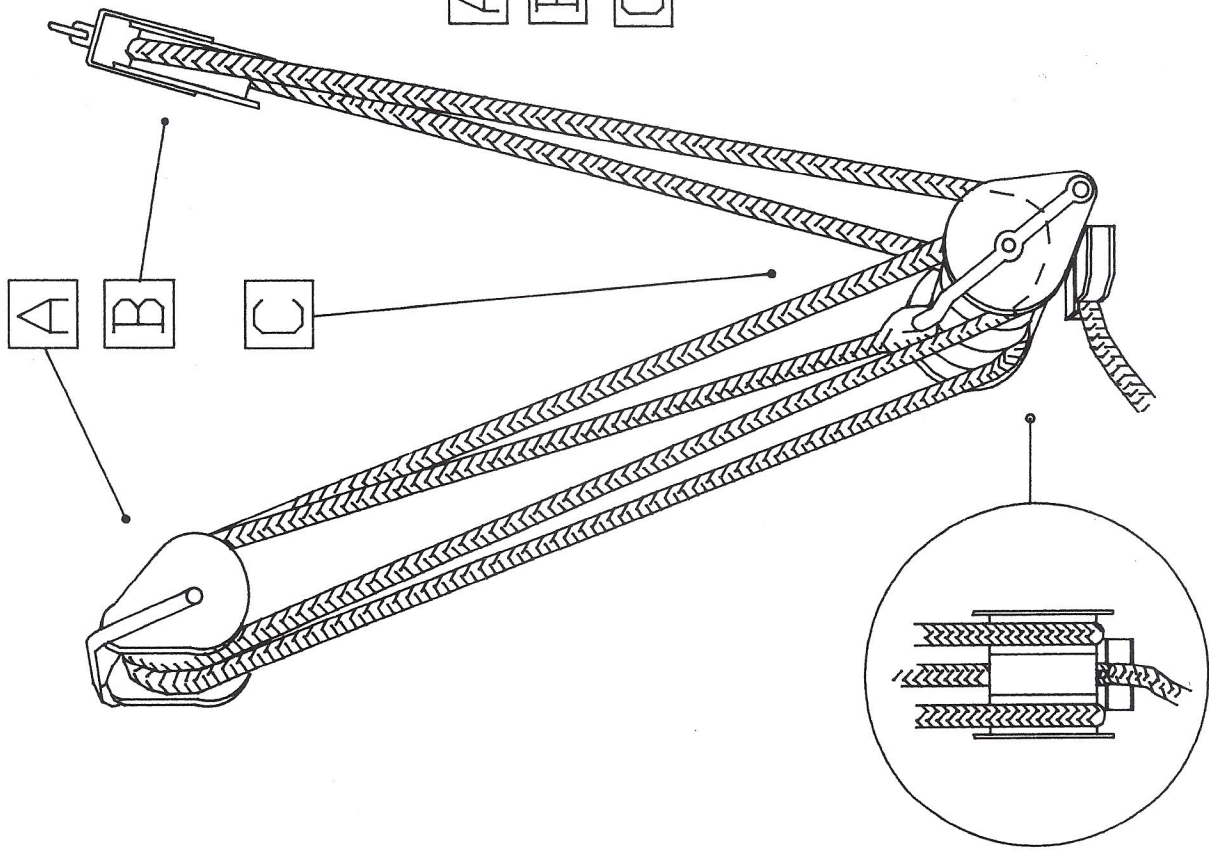
H28 RUNNING RIGGING H282608A

- ① VANG LINE
- ② REEF LINE
- ③ MAIN HALYARD
- ④ JIB HALYARD
- A FIDDLE BLOCK WITH BECKET & CAM CLEAT SCHAEFER #25-55
- B <2> SINGLE BLOCKS SUPPLIED FROM MAST MANUF.
- C <1> SINGLE BLK W/ PIN SUPPLIED FROM MAST MANUF.



HUNTER

H28 MAST STEP DETAIL H282609A



- A
- B
- C

DOUBLE BLOCK SCHAEFER #501-23

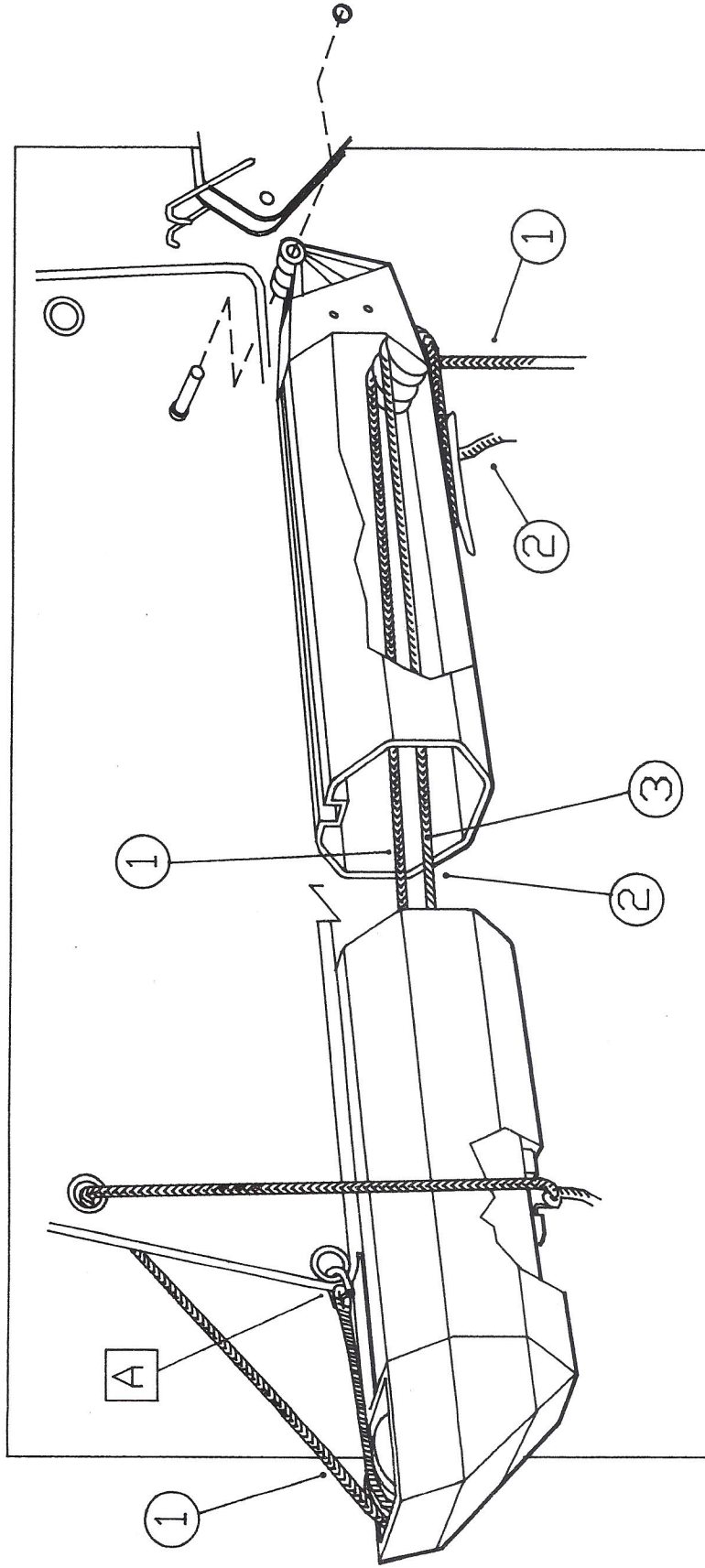
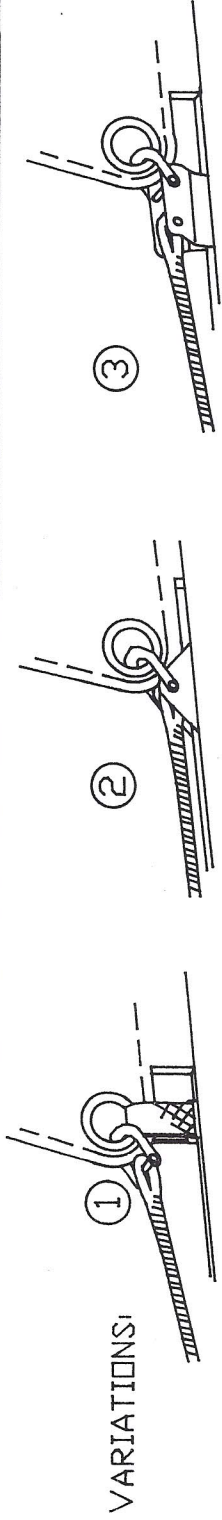
SINGLE BLK. SCH. #501-03

TRIPLE BLK. WITH BECKET & CAM CLEAT
SCH. #501-93

HUNTER

MAINSHEET DETAIL

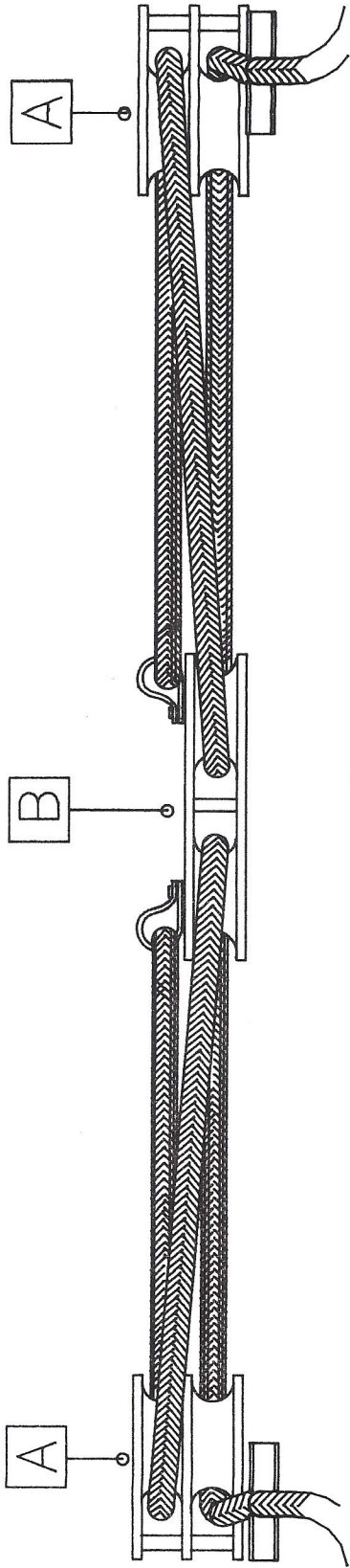
GEN2610A



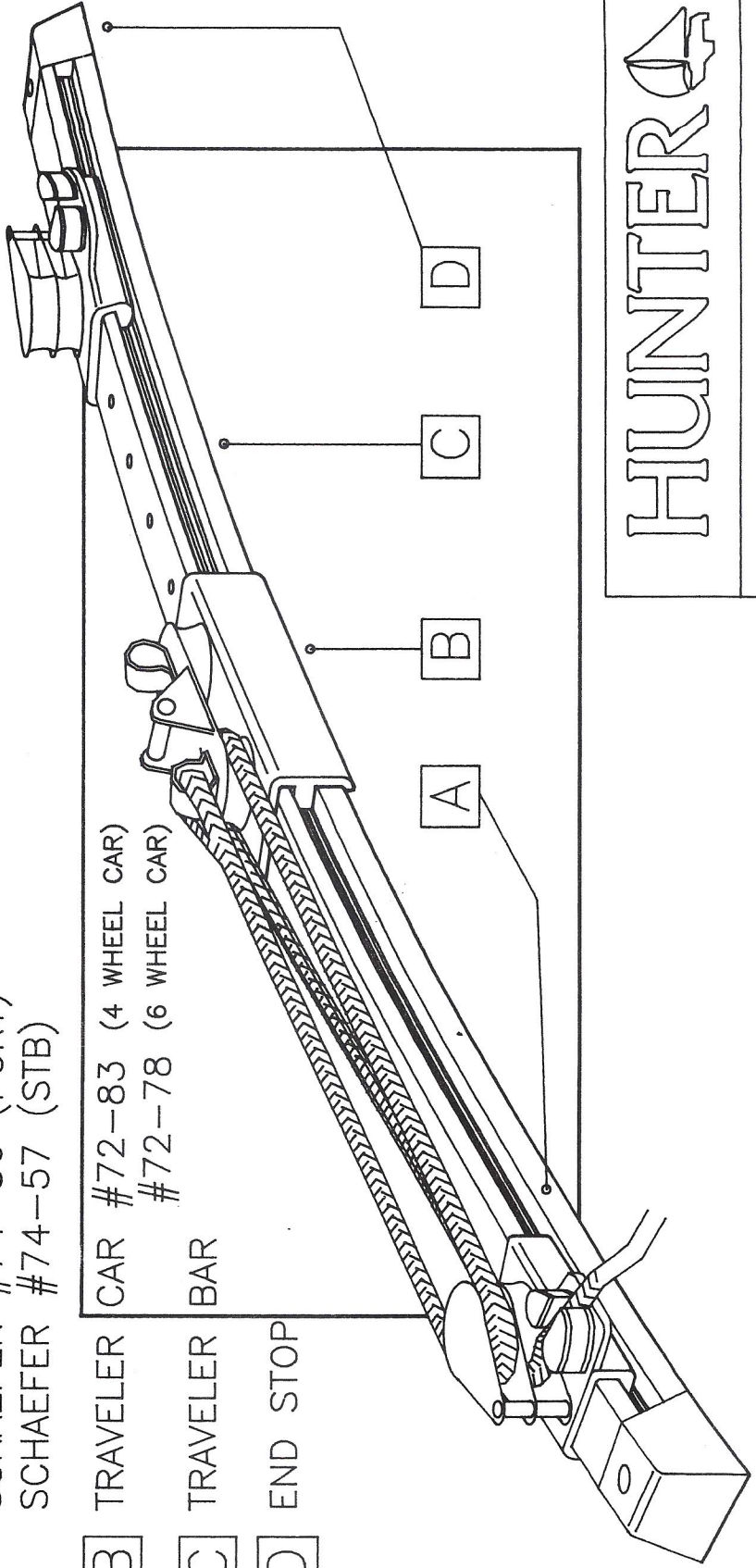
- ① REEF LINE
- ② OUTHAUL
- ③ TRANSITION FROM OH WIRE - OH LINE
- A D SHACKLE

HUNTER

BOOM AND REEF LAYOUT
CONVENTIONAL REEF



- A** DOUBLE BLOCK WITH CAM CLEAT
SCHAEFER #74-56 (PORT)
SCHAEFER #74-57 (STB)



- B** TRAVELER CAR #72-83 (4 WHEEL CAR)
#72-78 (6 WHEEL CAR)
- C** TRAVELER BAR
- D** END STOP

HUNTER

TRAVELER DETAIL GEN2611A