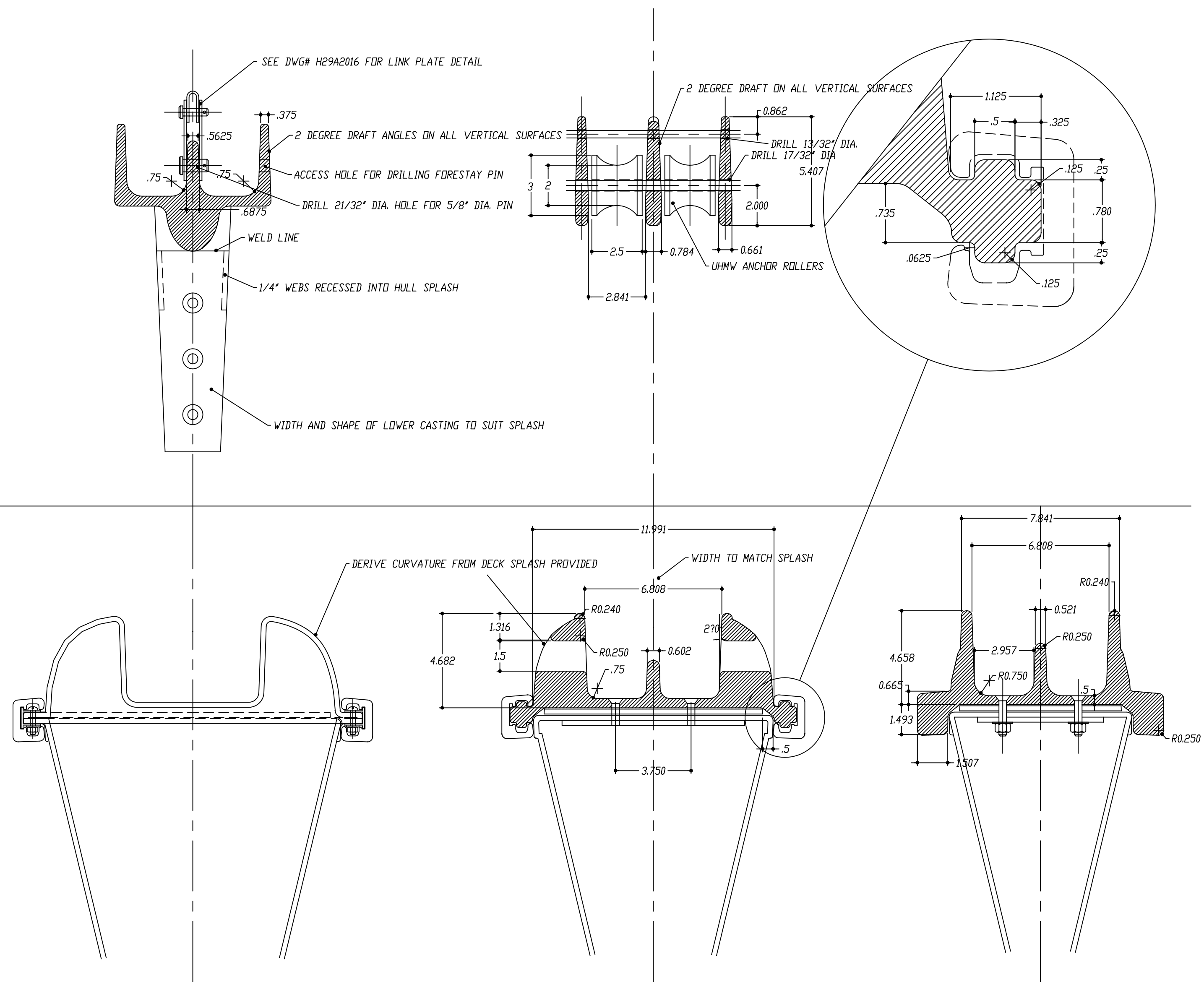


SECTION D-D

SECTION E-E



SECTION A-A

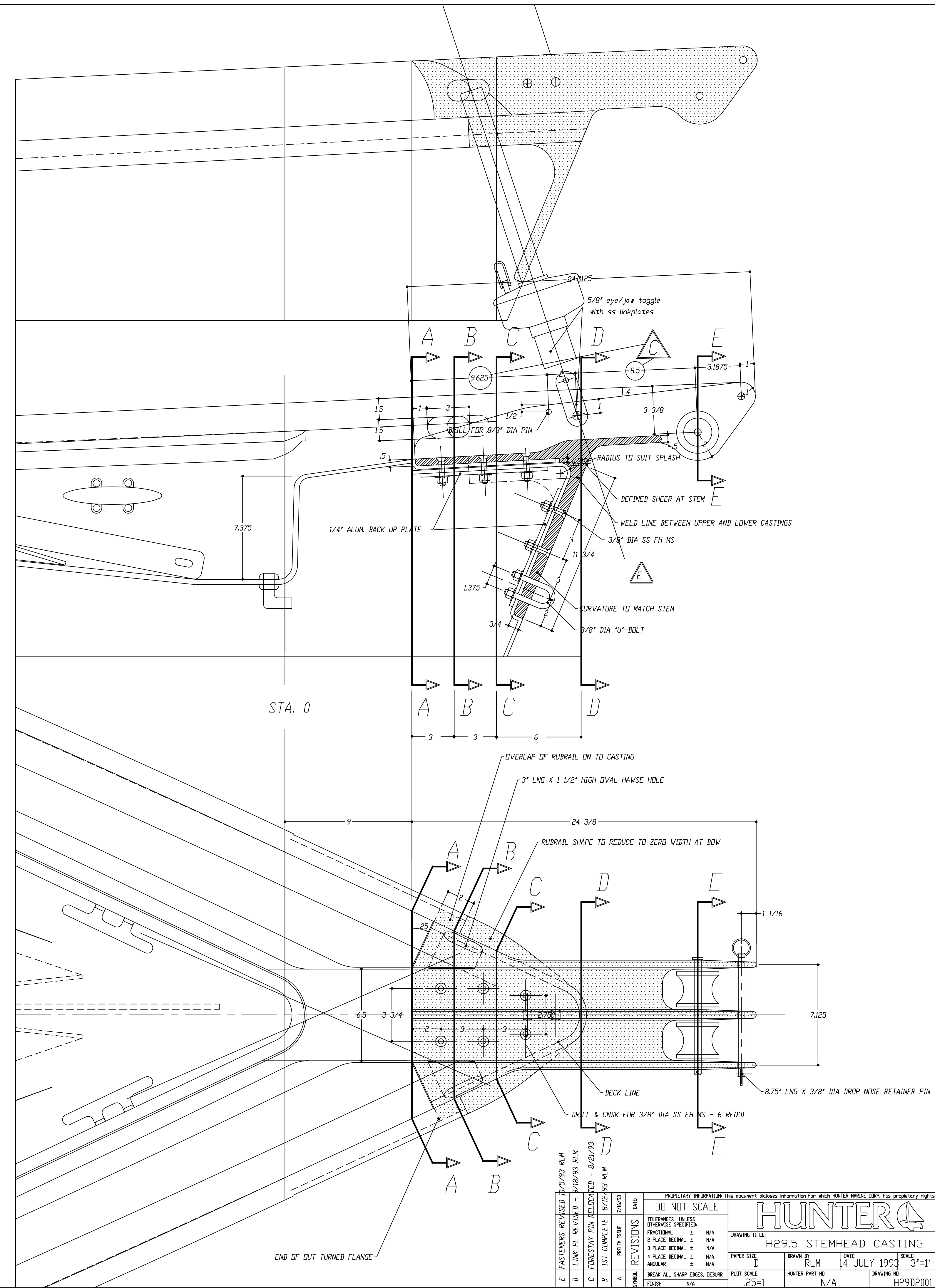
SECTION B-B

SECTION C-C

THRU FIBERGLASS LKG AFT

NOTE: CAST STEMHEAD FROM ALMAG 35 OR OTHER HUNTER APPROVED STRUCTURAL ALUM. ALLOY WITH HIGH CORROSIVE PROPERTIES - POLISHED ANODIZED FINISH

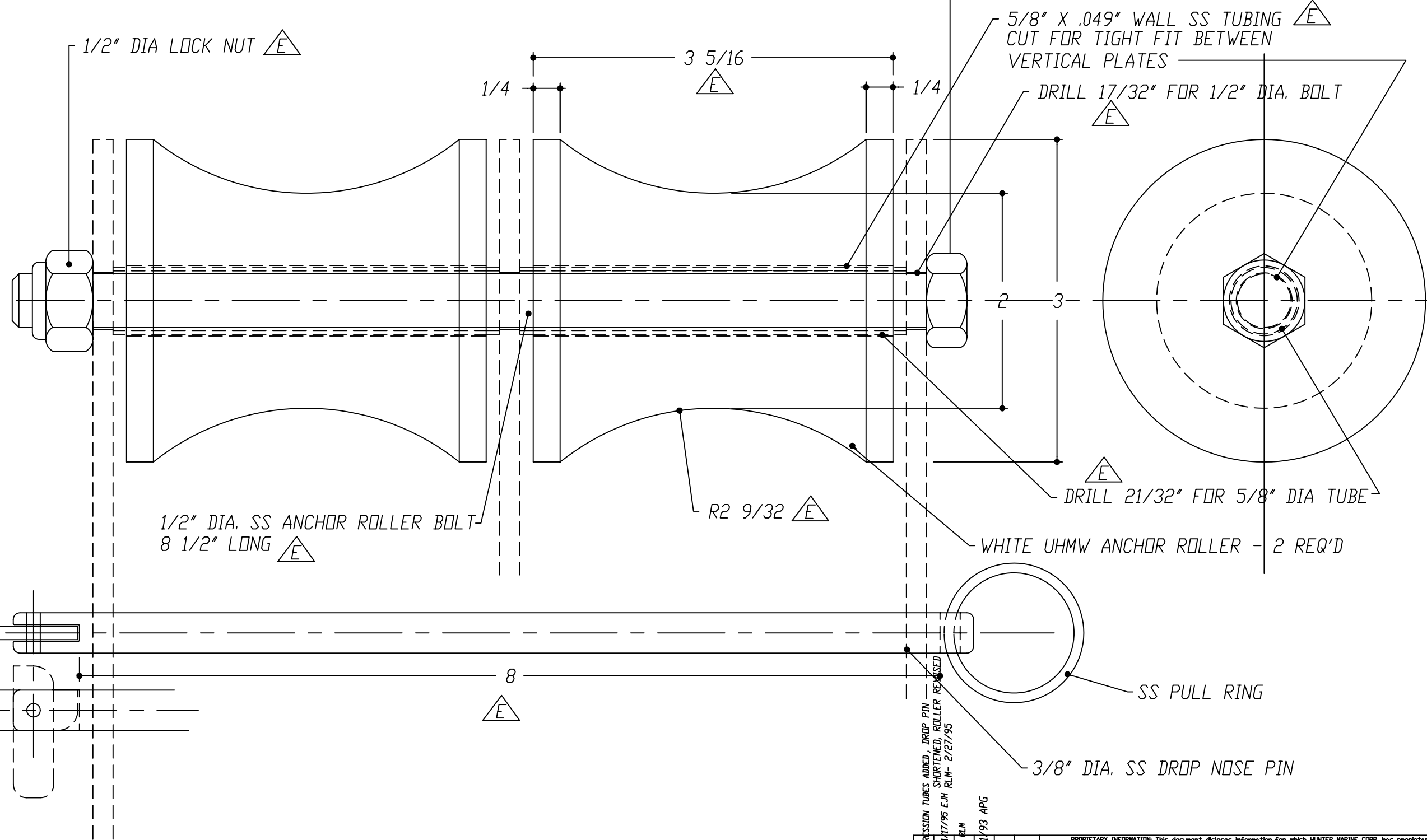
CASTING TO FIT DECK AND HULL SPLASH PROVIDED



REVISIONS				PROPRIETARY INFORMATION: This document discloses information for which HUNTER MARINE CORP. has proprietary rights.			
NO.	DATE	DESCRIPTION	BY	SCALE	HUNTER		
E	10/5/93	FASTENERS REVISED	RLM		HUNTER		
D	10/18/93	LINK PL. REVISED	RLM		HUNTER		
C	8/21/93	FORESTAY PIN RELOCATED	RLM		HUNTER		
B	8/12/93	1ST COMPLETE	RLM		HUNTER		
A					HUNTER		

DO NOT SCALE		HUNTER	
TOLERANCES UNLESS OTHERWISE SPECIFIED:		HUNTER	
FRACTIONAL	± N/A	HUNTER	
2 PLACE DECIMAL	± N/A	HUNTER	
3 PLACE DECIMAL	± N/A	HUNTER	
4 PLACE DECIMAL	± N/A	HUNTER	
ANGULAR	± N/A	HUNTER	
BREAK ALL SHARP EDGES, DEBURR FINISH		HUNTER	

DRAWING TITLE:		HUNTER	
H29.5 STEMHEAD CASTING		HUNTER	
PAPER SIZE:	D	DRAWN BY:	RLM
DATE:	14 JULY 1993	SCALE:	3"=1'-0"
HUNTER PART NO.:	N/A	DRAWING NO.:	H29D2001



PROPRIETARY INFORMATION: This document discloses information for which HUNTER MARINE CORP. has proprietary rights.

DO NOT SCALE			
TOLERANCES UNLESS OTHERWISE SPECIFIED:			
FRACTIONAL	± N/A	DRAWING TITLE: H29.5 BOW ROLLERS & PINS	
2 PLACE DECIMAL	± N/A	PAPER SIZE: B	DRAWN BY: RLM
3 PLACE DECIMAL	± N/A	DATE: 7 SEPT/93	SCALE: FULL
4 PLACE DECIMAL	± N/A	PLOT SCALE: 1=1	
ANGULAR	± N/A	HUNTER PART NO: N/A	
BREAK ALL SHARP EDGES, DEBURR FINISH: N/A		DRAWING NO: H29B2011	

COMPRESSION TUBES ADDED, DROP PIN SHORTENED, ROLLER REVISED
 1/4" 1/17/95 E.JH RLM- 2/27/95
 C ROLLERS WIDENED 10/26/93 RLM
 B LENGTHENED PIN 10/11/93 APG
 9/7/93