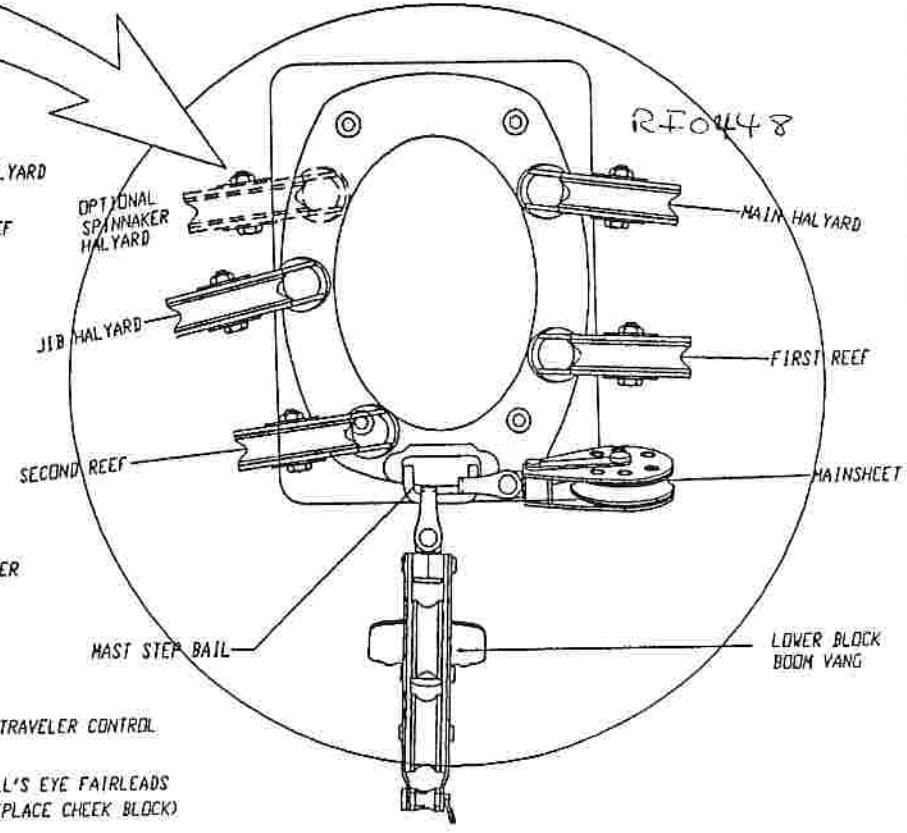



↑
FORWARD



MAST STEP DETAIL

HUNTER 

H29.5 GENERAL DECK LAYOUT FOR
MID-BOOM MAINSHEET OPTID" #H2932668