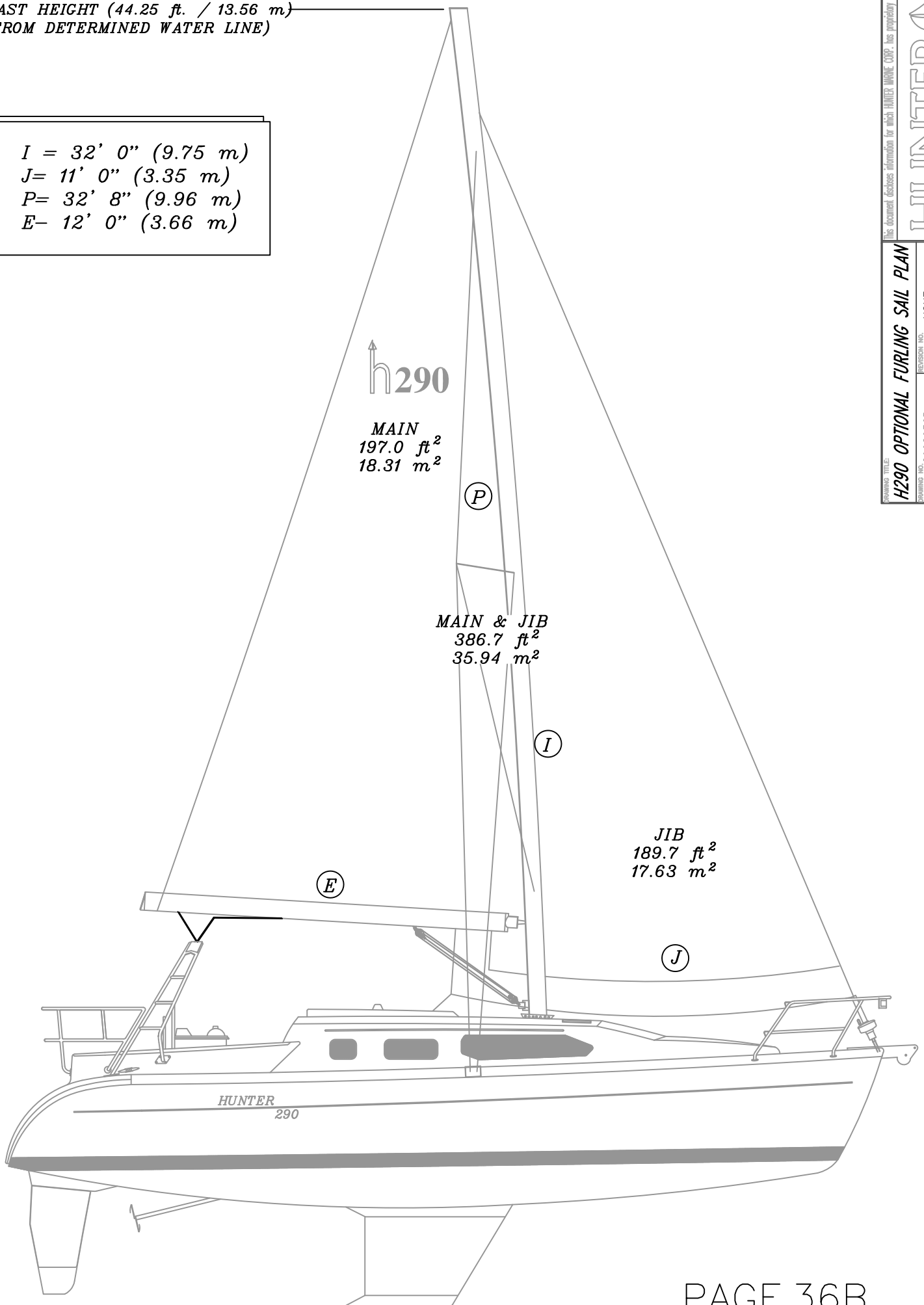


MAST HEIGHT (44.25 ft. / 13.56 m)  
(FROM DETERMINED WATER LINE)

$I = 32' 0''$  (9.75 m)  
 $J = 11' 0''$  (3.35 m)  
 $P = 32' 8''$  (9.96 m)  
 $E = 12' 0''$  (3.66 m)



This document discloses information for which HUNTER MARINE CORP. has proprietary rights.

HUNTER

DRAWING TITLE: H290 OPTIONAL FURLING SAIL PLAN

DRAWING NO.	2908036B
REVISION NO.	NONE
DESIGNED BY	
ENGINEERING DEPT.	
DATE:	3/18/99