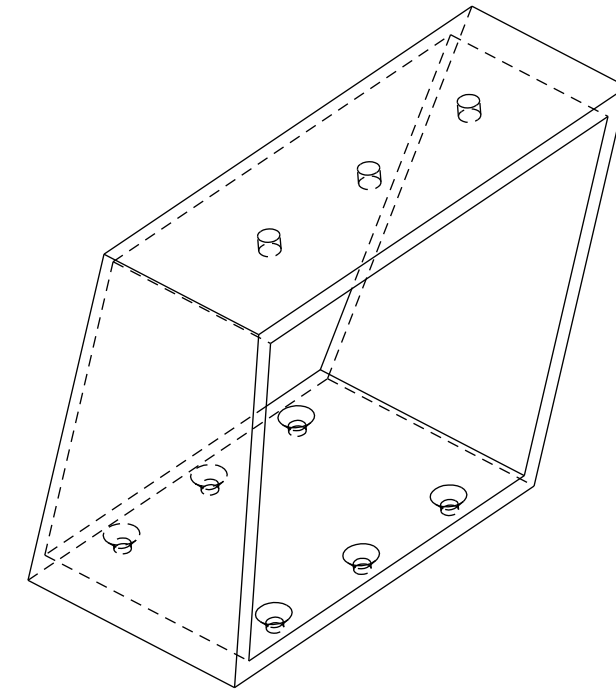
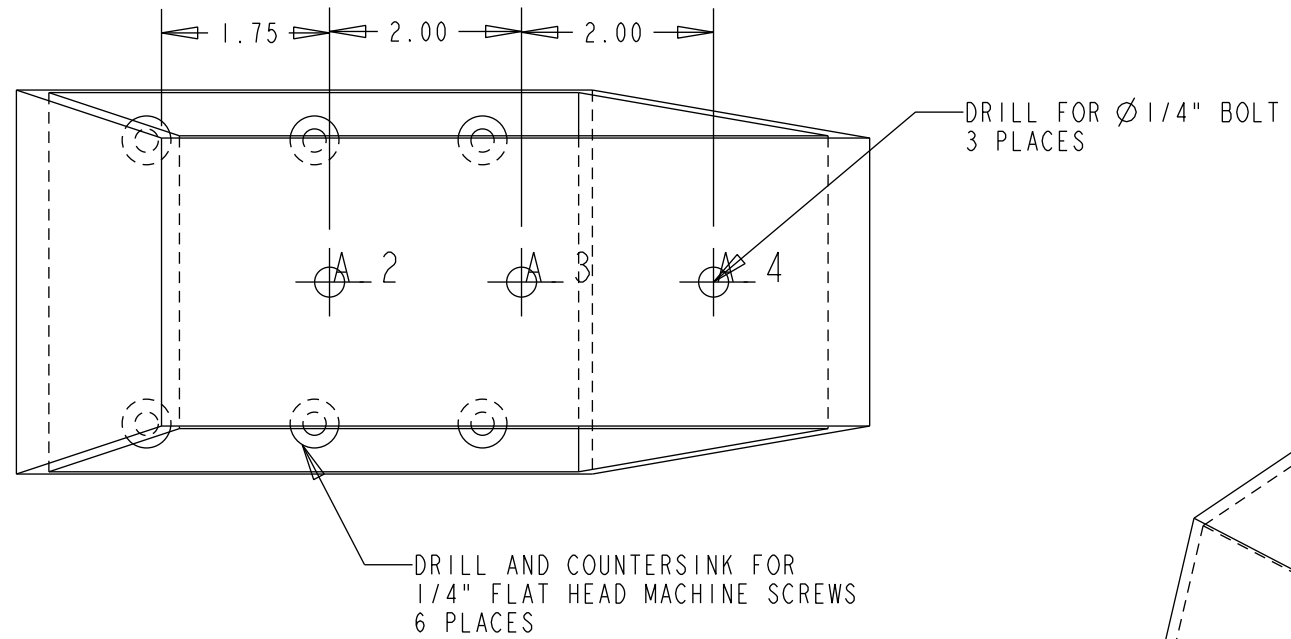
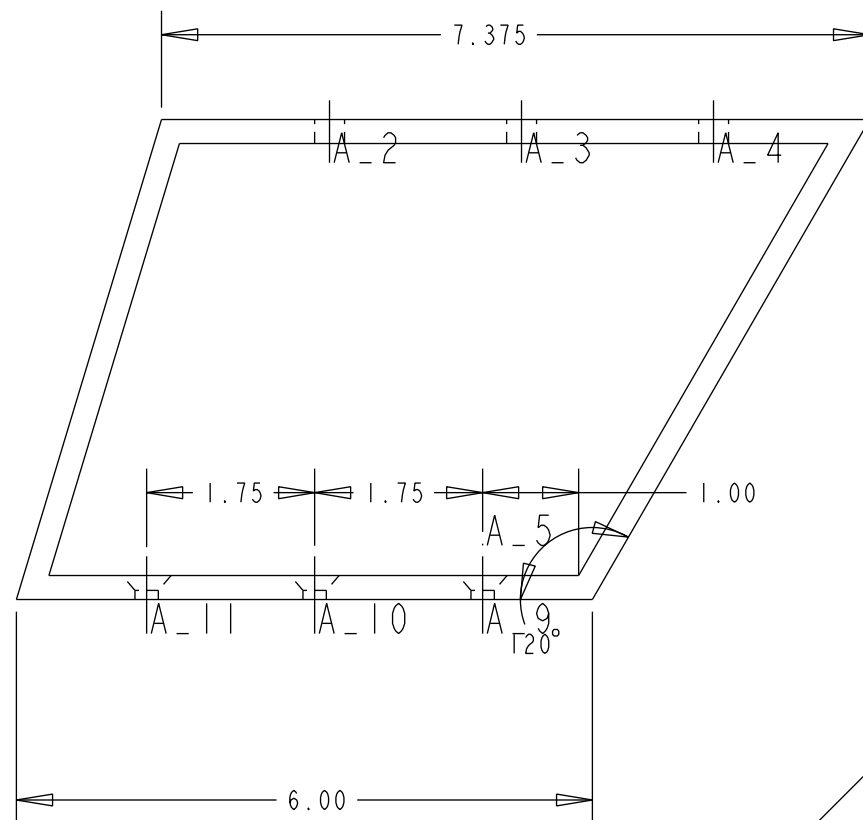
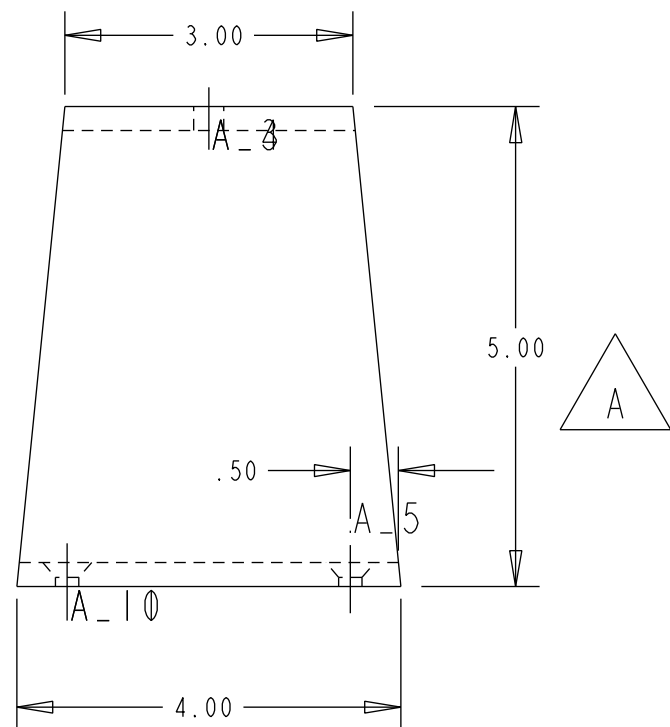


SYMBOL	REVISIONS	DATE	ENG
A	ADD 1" TO HEIGHT	9/21/00	KJC

- 290 MID BOOM TRACK POD  
 NOTES: SCALE=0.500  
 1. MATERIAL: 1/4" 304 SS PLATE  
 2. ALL DIMENSIONS ARE INCHES AND DEGREES  
 3. ALL WELDS TO MEET AWS STANDARDS.  
 4. BREAK AND DEBURR ALL EDGES  
 5. BRIGHT POLISH AFTER FABRICATION  
 6. MAKE TWO PER BOAT  
 (MID BOOM SHEETING OPTION ONLY)  
 7. ALL WELDS TO MEET AMERICAN WELDING SOCIETY STANDARDS



SCALE 0.375



CHECKED:

PROPRIETARY INFORMATION: THIS DRAWING CONTAINS INFORMATION FOR WHICH HUNTER MARINE CORPORATION HAS PROPRIETARY RIGHTS.



DRAWING TITLE: <b>290 MID BOOM TRACK POD</b>			
DRAWN BY: TVR	DATE: 21-Sep-00	SHEET 1	OF 1
SCALE: 0.500	HUNTER PART NO. TBD	REVISION -	DRAW # 29020006