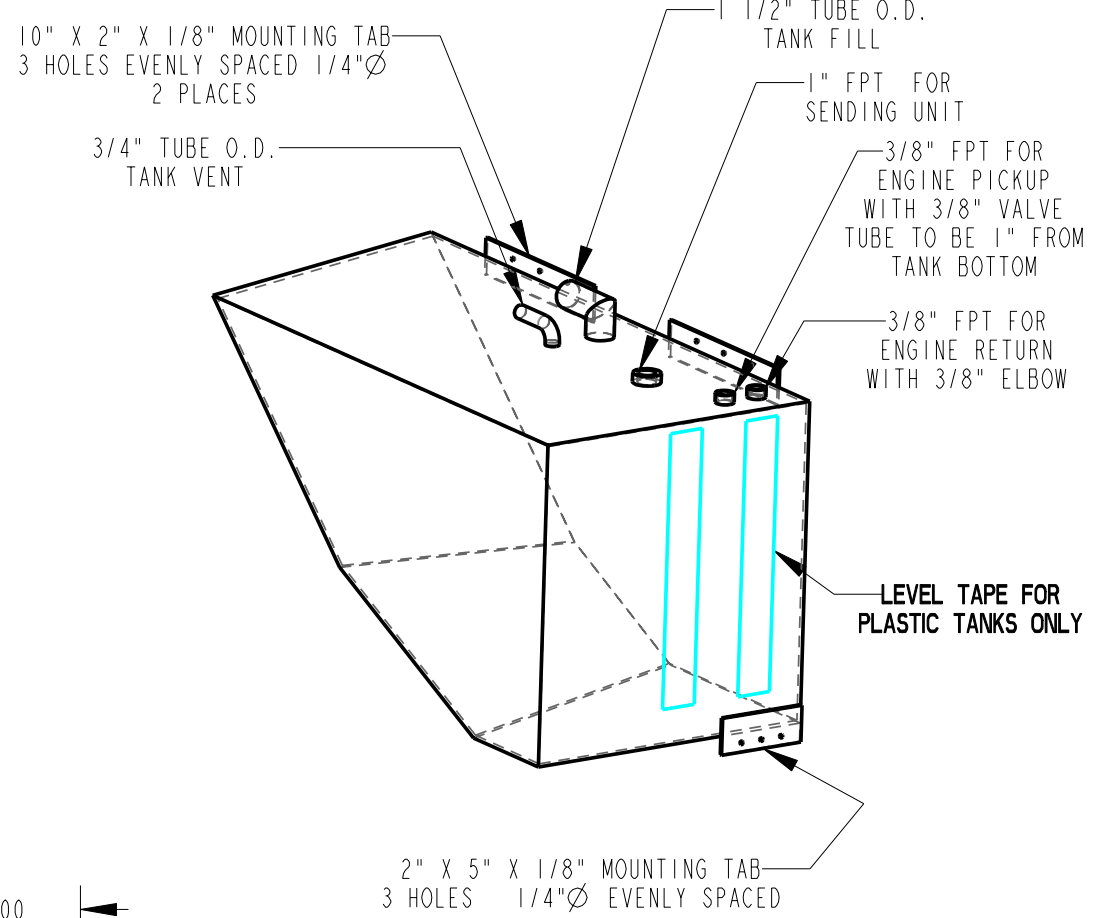
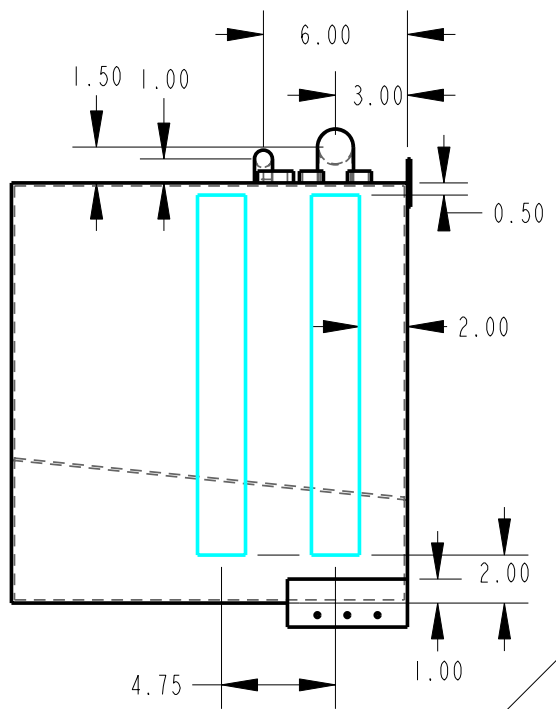
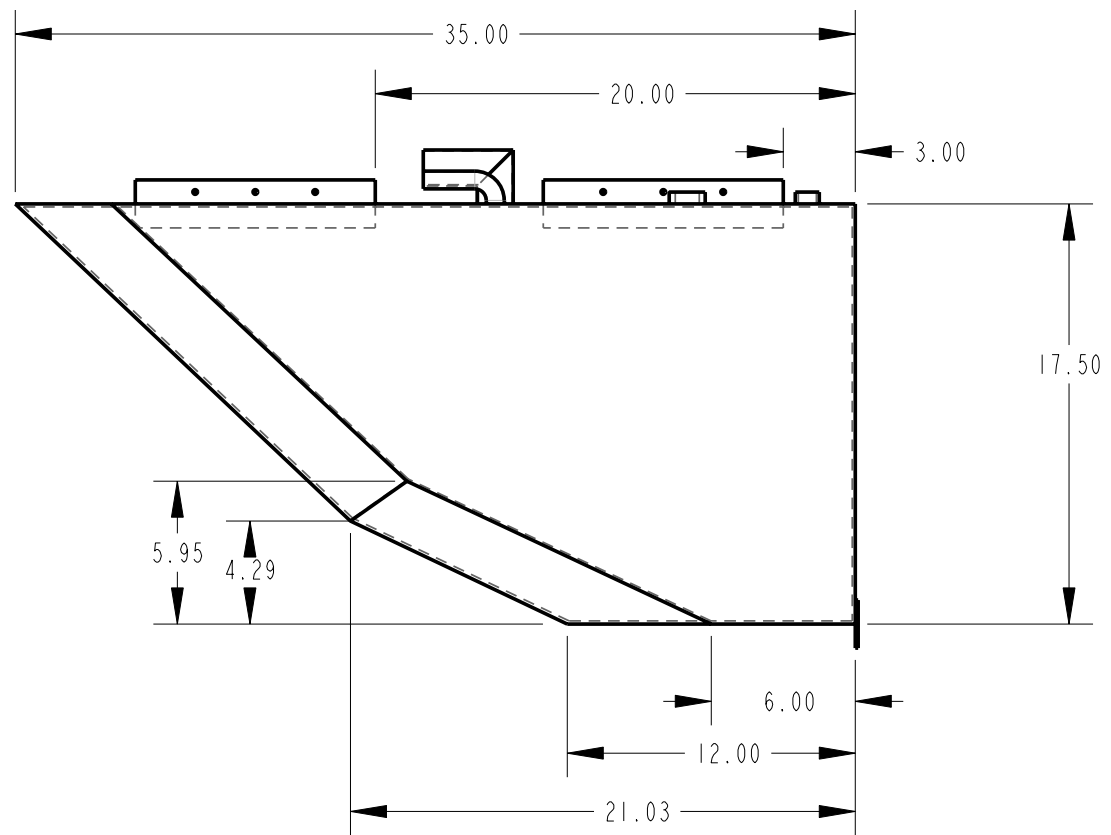
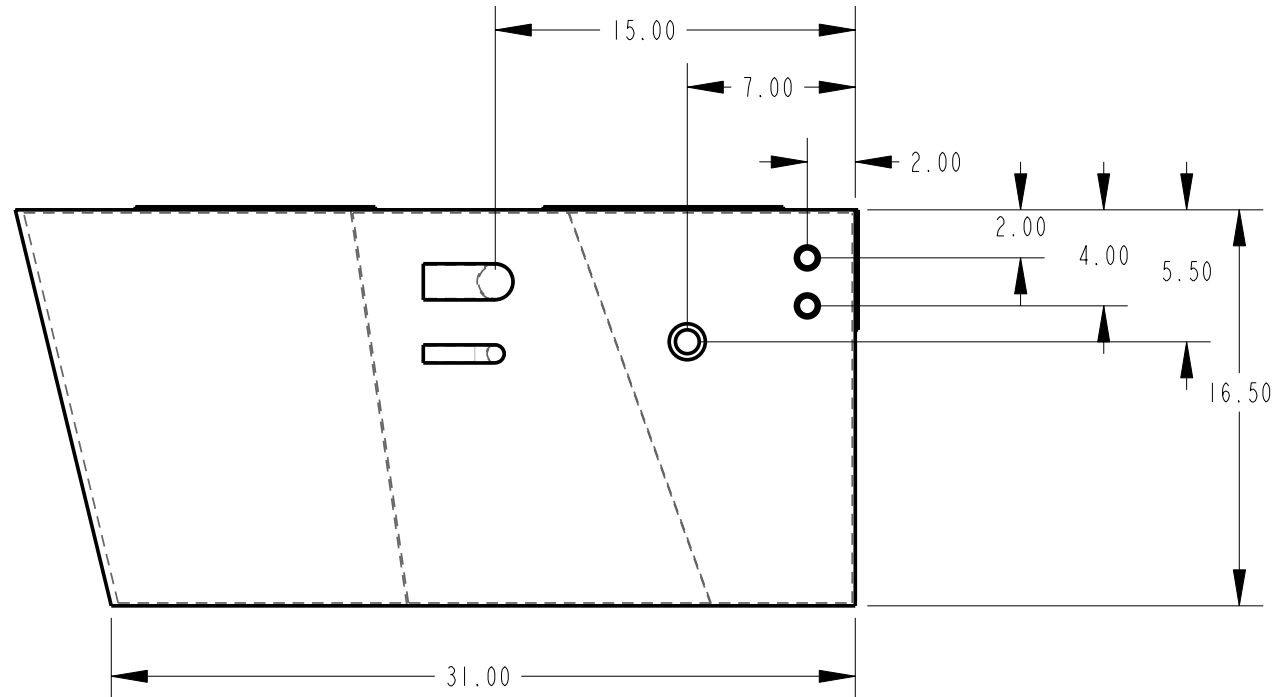


SYMBOL	REVISIONS	DATE	ENG



- 290 FUEL TANK
 NOTES: SCALE=1:8
 1. MATERIAL: 5052 H32 ALUMINUM
 2. ALL DIMENSIONS ARE INCHES AND DEGREES
 3. ALL WELDS TO MEET AWS STANDARDS.
 4. BREAK AND DEBURR ALL EDGES
 5. CHARTER TANKS TO INCLUDE:
 - 6" INSPECTION PLATE
 - 3/8" DRAIN PLUG (AT LOWEST POINT)
 6. STANDARD EUROPEAN VERSION TO BE ALUMINUM ONLY
 7. MATERIAL: PLASTIC (ONLY USE MATERIAL CERTIFIED FOR FUEL USE)

PROPRIETARY INFORMATION: THIS DRAWING CONTAINS INFORMATION FOR WHICH HUNTER MARINE CORPORATION HAS PROPRIETARY RIGHTS.



DRAWING TITLE:
290 FUEL TANK

DRAWN BY: ENG	DATE: 16-Feb-01	SHEET 1	OF 1
SCALE: 1:8	HUNTER PART NO. TBD	REVISION -	DRAW # 290.FUEL.TANK.ALUM

CHECKED: