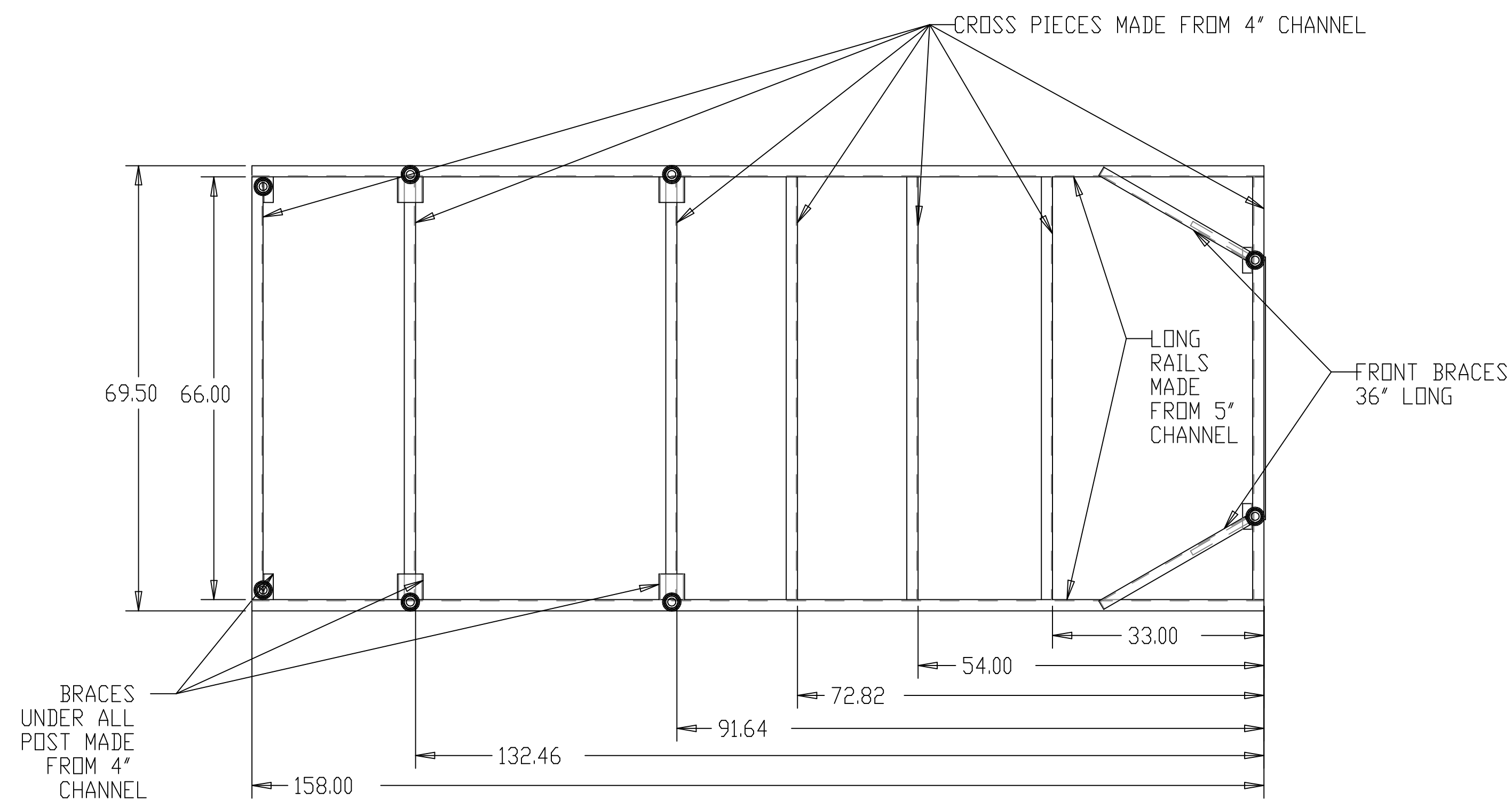
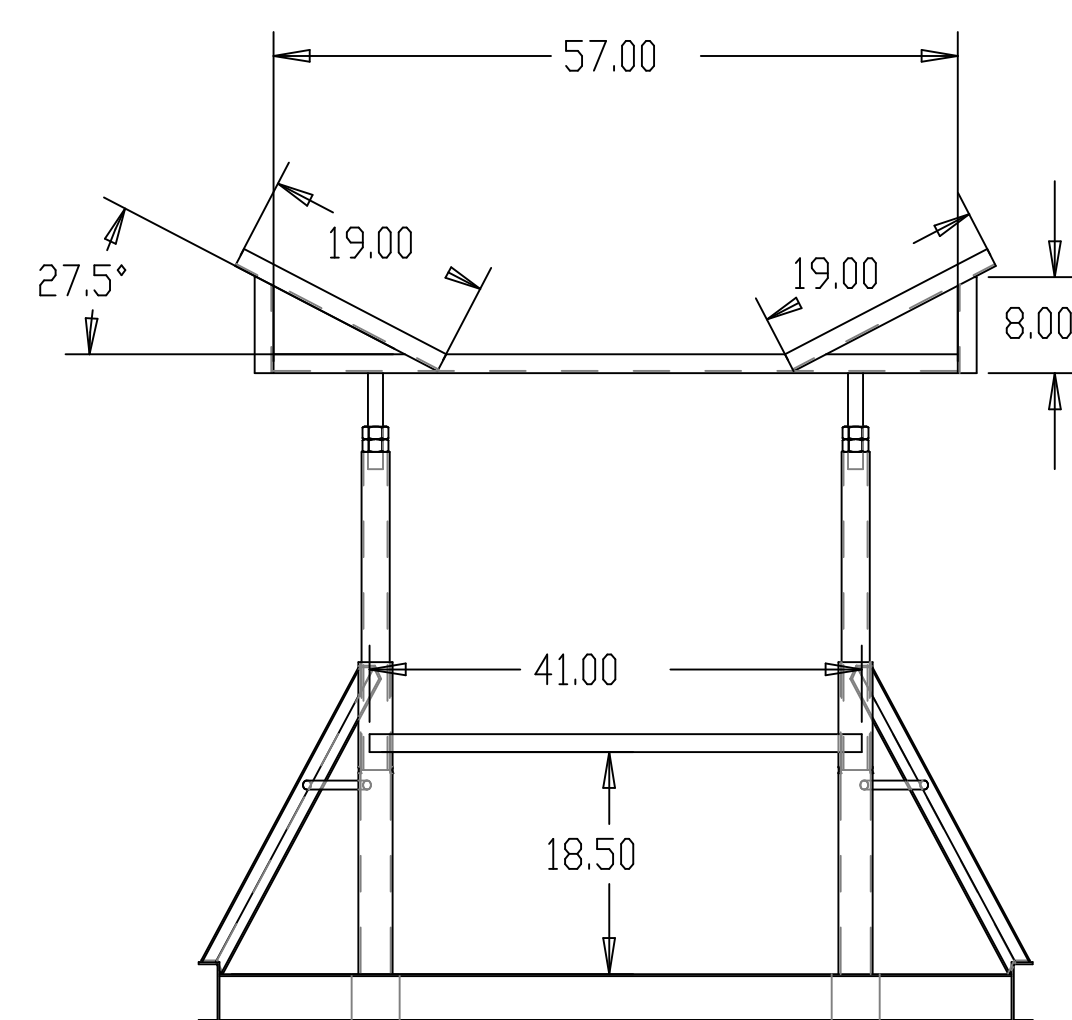
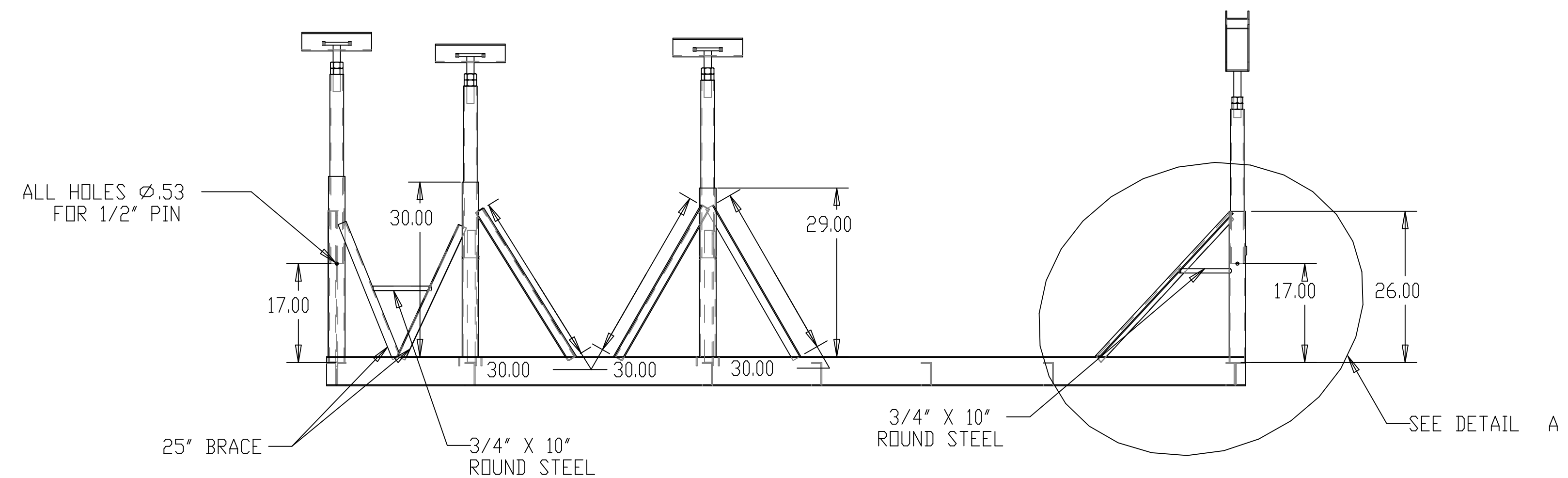
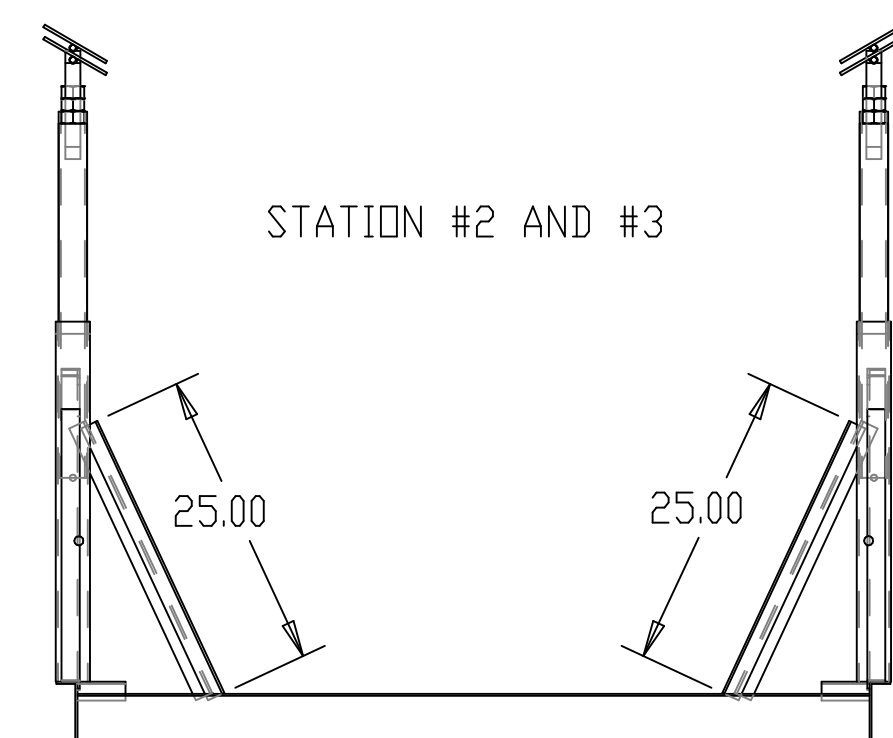
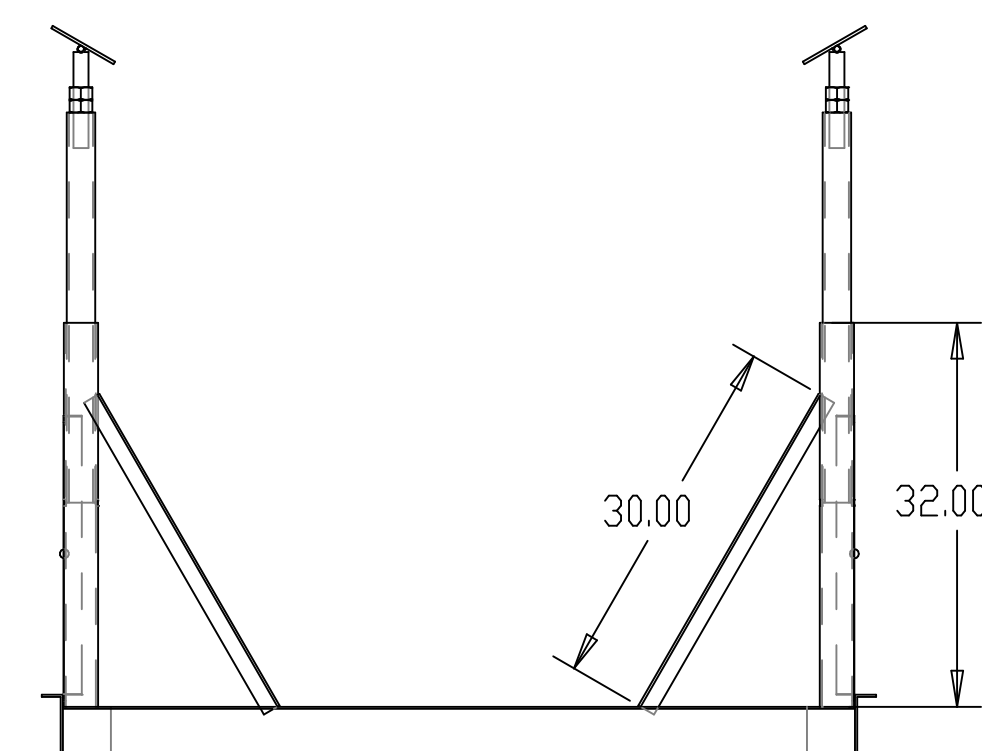
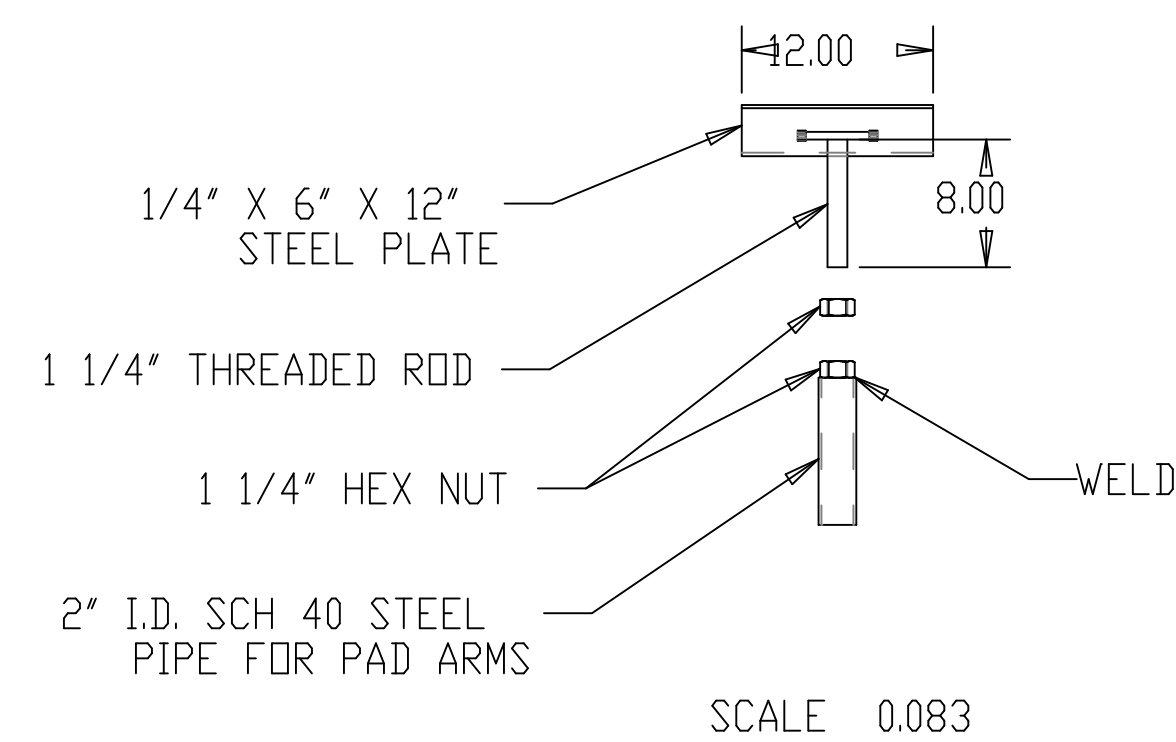


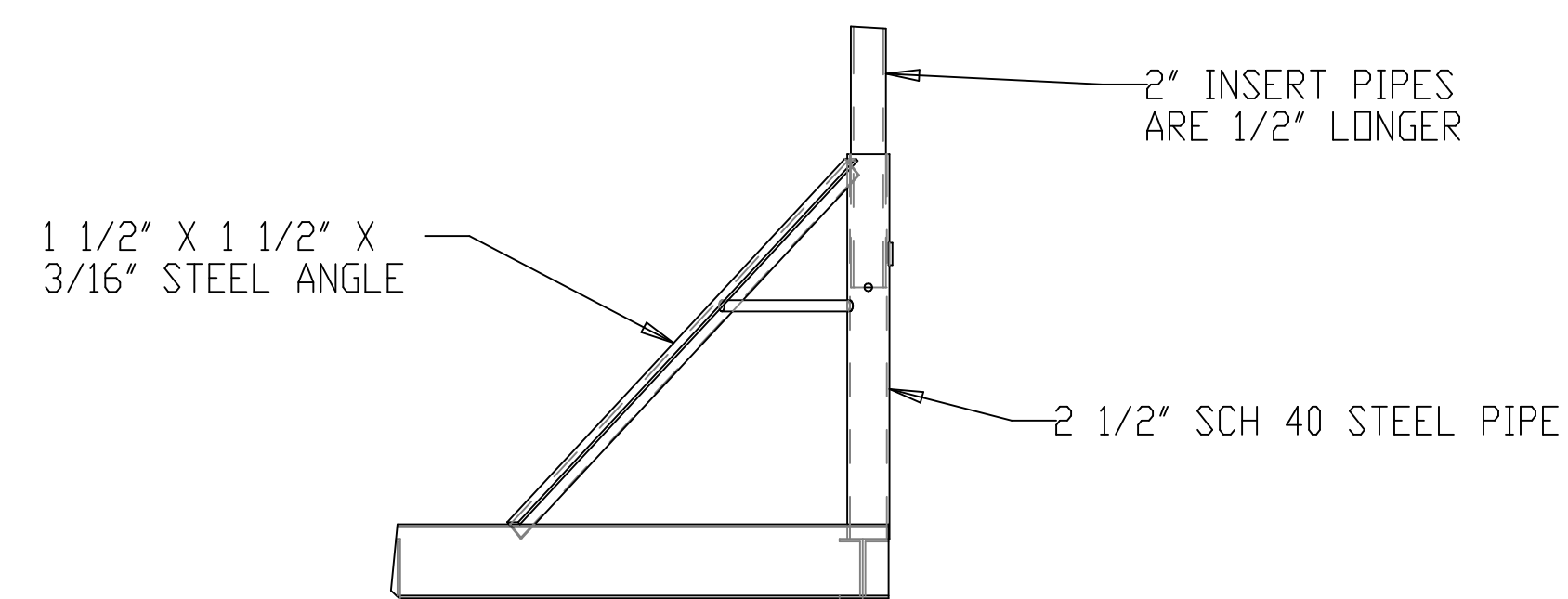
SYMBOL	REVISIONS	DATE	ENG



ADJUSTABLE PAD SUPPORT

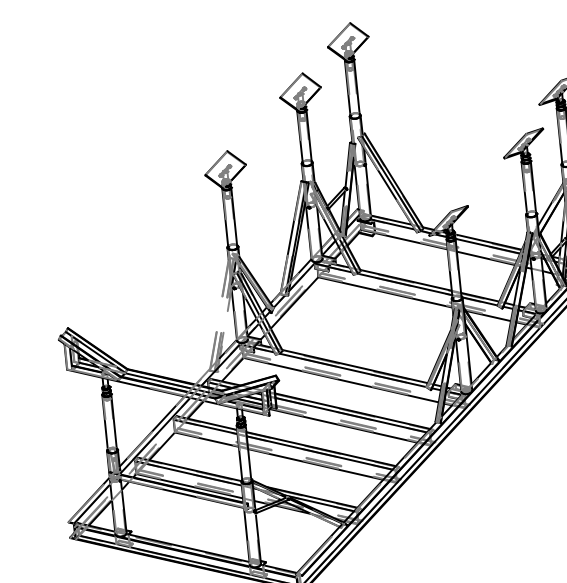


TYPICAL PAD SUPPORT BRACE



DETAIL A
SCALE 0.083

- MATERIALS:
- 5" X .19" X 1.75" STEEL CHANNEL
 - 4" X .18" X 1.58" STEEL CHANNEL
 - 1 1/2" X 1 1/2" X 3/16" STEEL ANGLE
 - 2" I.D. SCH 40 STEEL TUBE
 - 2 1/2" I.D. SCH 40 STEEL TUBE
 - 1/4" X 1 1/4" FLAT STEEL
 - 3/4" DIA. STEEL ROD



SCALE 0.020

<small>PROPRIETARY INFORMATION THIS DRAWING CONTAINS INFORMATION FOR WHICH HUNTER WARE CORPORATION HAS PROPRIETARY RIGHTS.</small>			
<h1>HUNTER 306</h1>			
<h2>306 SHIPPING CRADLE</h2>			
<small>DRAWN BY:</small> AFT	<small>DATE:</small> 17-Nov-04	<small>SHEET</small> 1	<small>OF</small> 1
<small>SCALE:</small> 0.083	<small>HUNTER PART NO.:</small> TBD	<small>REVISION:</small>	<small>DRAW #</small> 306 SHIPPING CRADLE