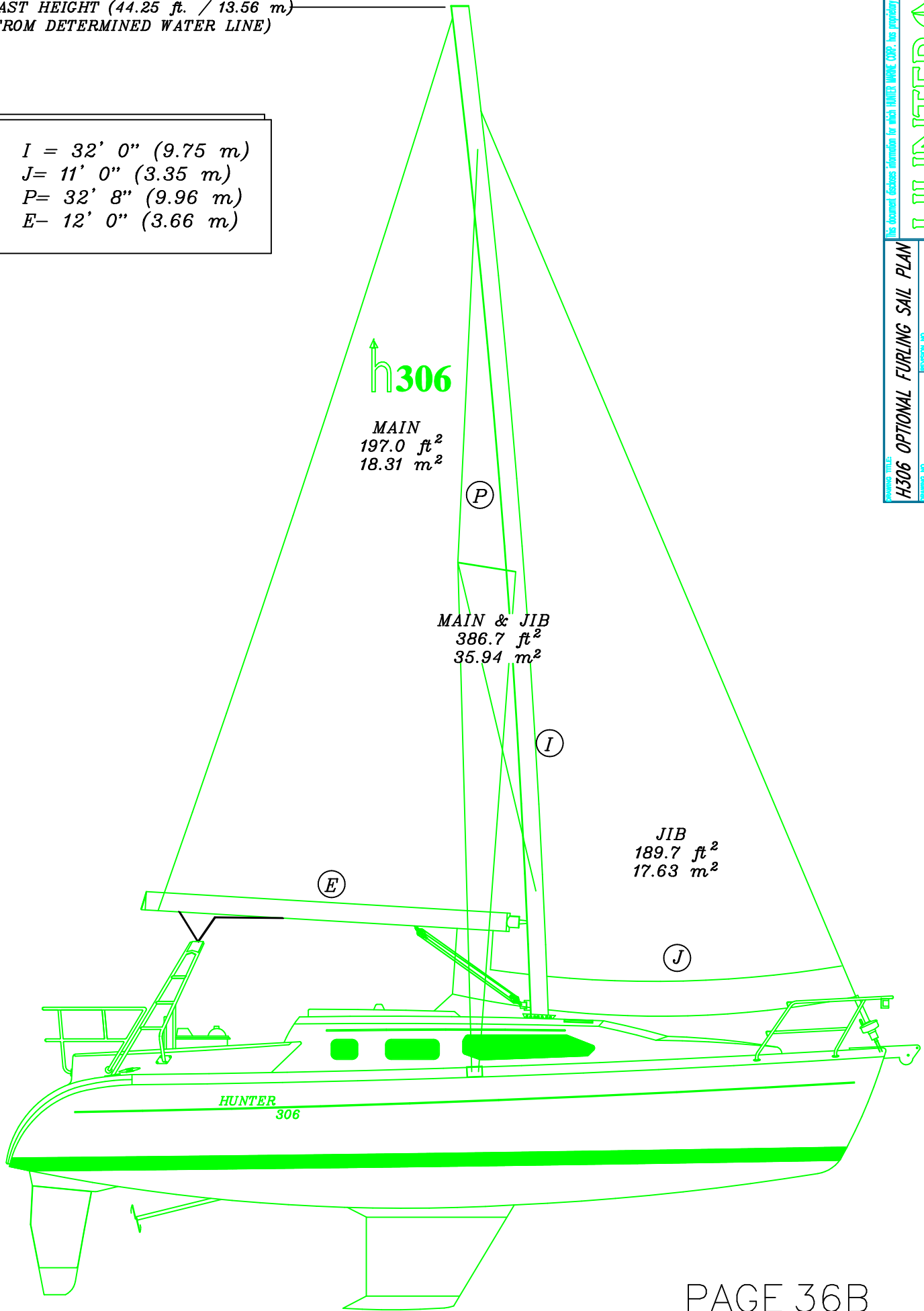


MAST HEIGHT (44.25 ft. / 13.56 m)
(FROM DETERMINED WATER LINE)

$I = 32' 0'' (9.75 m)$
 $J = 11' 0'' (3.35 m)$
 $P = 32' 8'' (9.96 m)$
 $E = 12' 0'' (3.66 m)$



This document contains information for which HUNTER MARINE CORP. has proprietary rights.

HUNTER

PROJECT TITLE	H306 OPTIONAL FURLING SAIL PLAN		
DRAWING NO.	3068036B	REVISION NO.	NONE
DATE		DATE	3/18/99
ENGINEERING DEPT.			