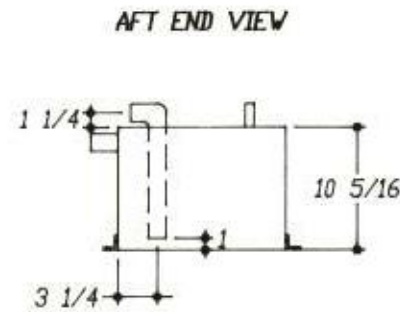
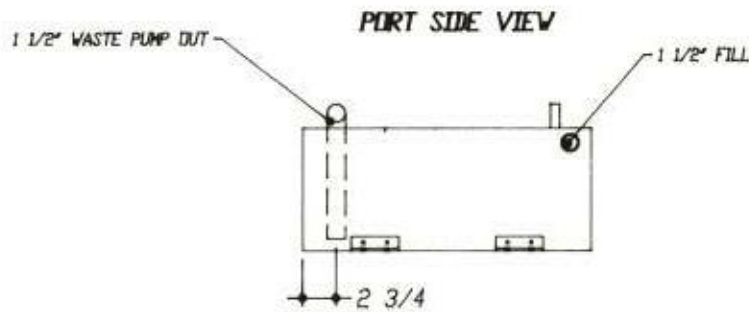
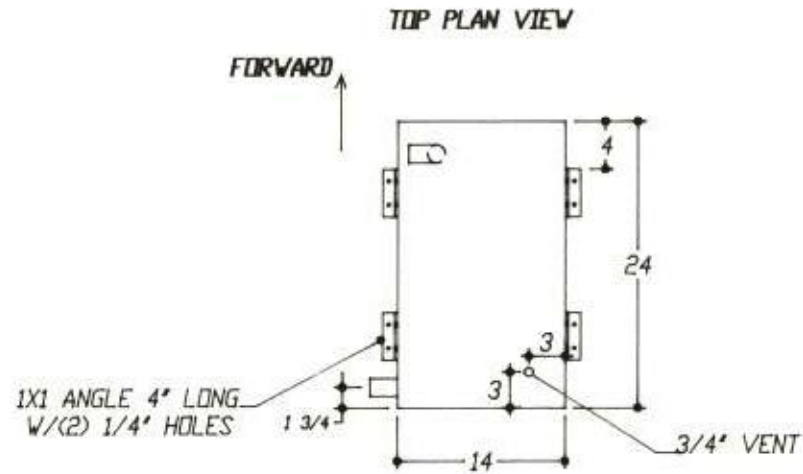



NOTES
 MATERIAL) USCG APPROVED PLASTIC
 OR 5456 ALUMINUM
 QUANTITY (1) PER BOAT
 CAPACITY) 15 GALLONS
 BAFFLE TO USCG REGULATIONS



				PROPRIETARY INFORMATION This document discloses information for which HUNTER MARINE CORP. has proprietary rights.			
		9-14-90	04/04/90	N/A	DATE	HUNTER 	
		MOVE FILL & DELETED ELBOW	CHANGED PUMP/OUT	PROTOTYPE	REVISIONS		
						TOLERANCES UNLESS OTHERWISE SPECIFIED: FRACTIONAL ± N/A 2 PLACE DECIMAL ± N/A 3 PLACE DECIMAL ± N/A 4 PLACE DECIMAL ± N/A ANGULAR ± N/A	
						PAPER SIZE: A DRAWN BY: DWAYNE DATE: 03/26/90 SCALE: NONE	DRAWING TITLE: H30T WASTE TANK
B	A	N/A			SYMBOL: BREAK ALL SHARP EDGES, DEBURR FINISH: N/A	PLOT SCALE: .0625=1 HUNTER PART NO: N/A	DRAWING NO: H30A1905