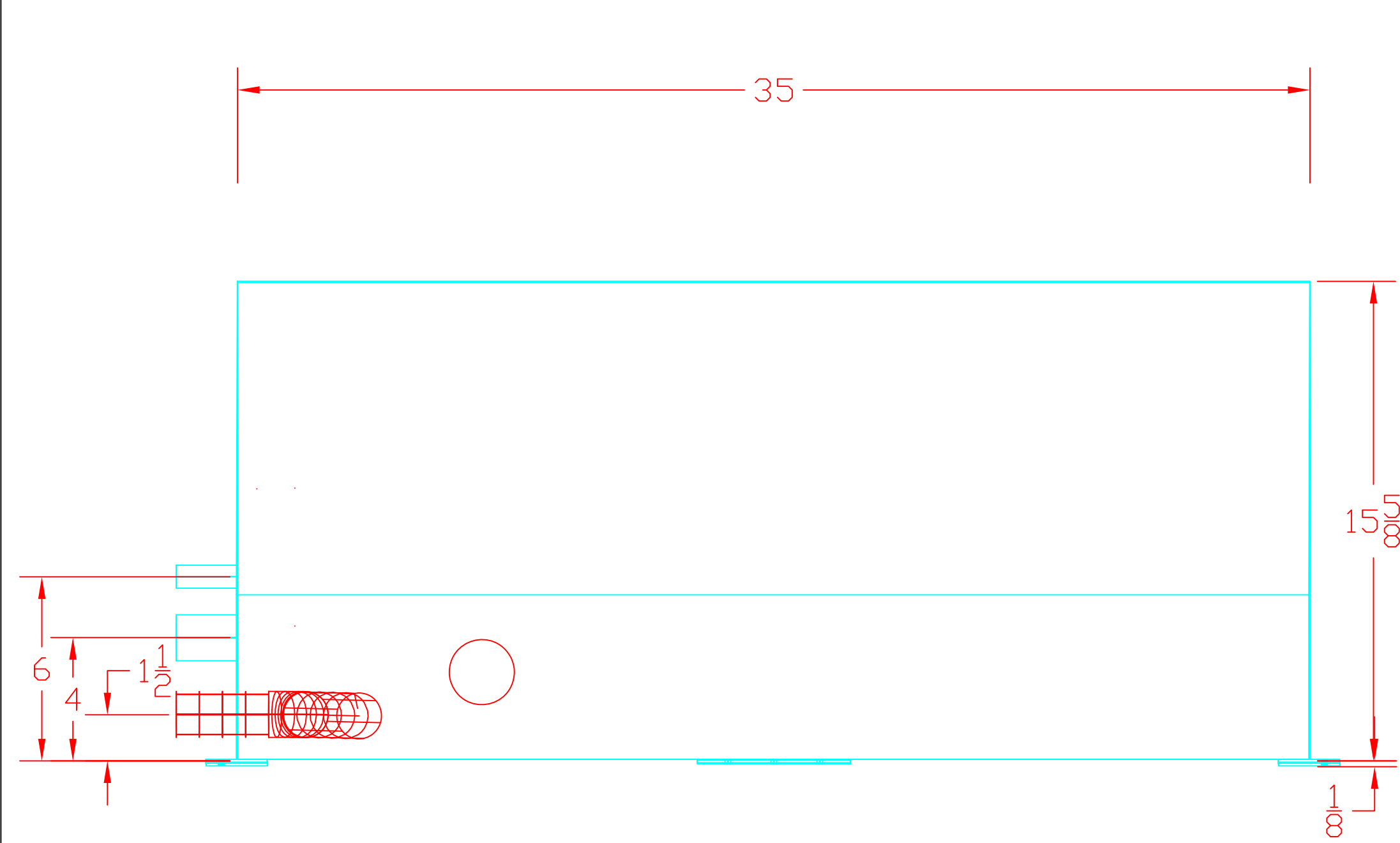
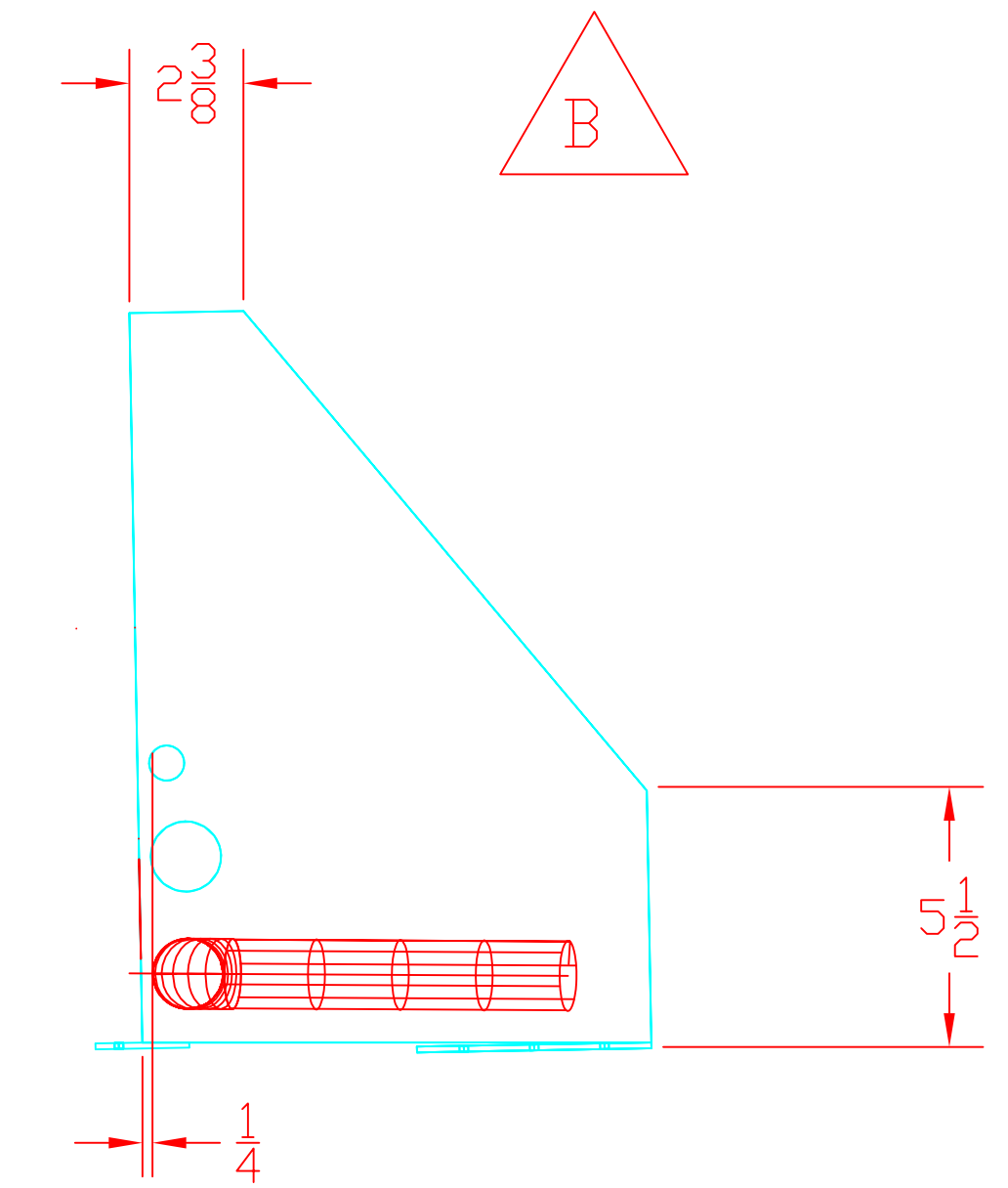


SYMBOL	REVISIONS	DATE	NAME
A	SHORTEN AND HEIGHTEN TANK	10/23/96	JD
B	REDUCE WIDTH BY 3"	11/6 /96	JD
C	CHANGE MOUNTING FLANGES	11/8/96	JD

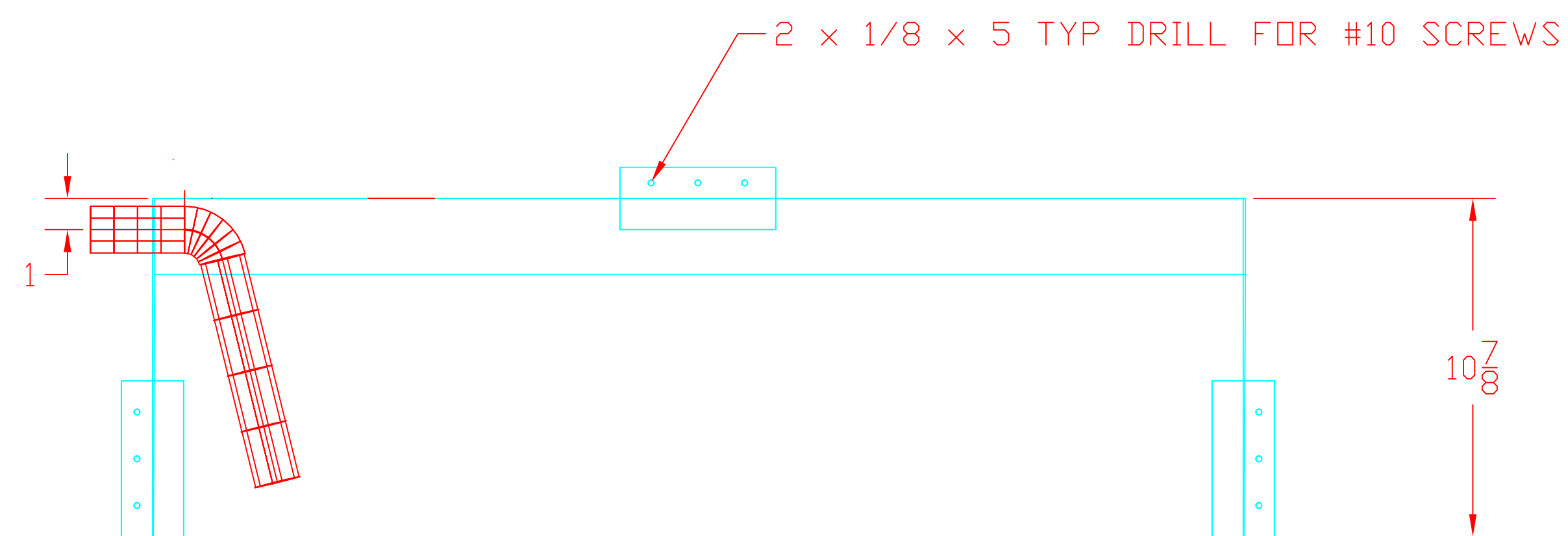


A

B

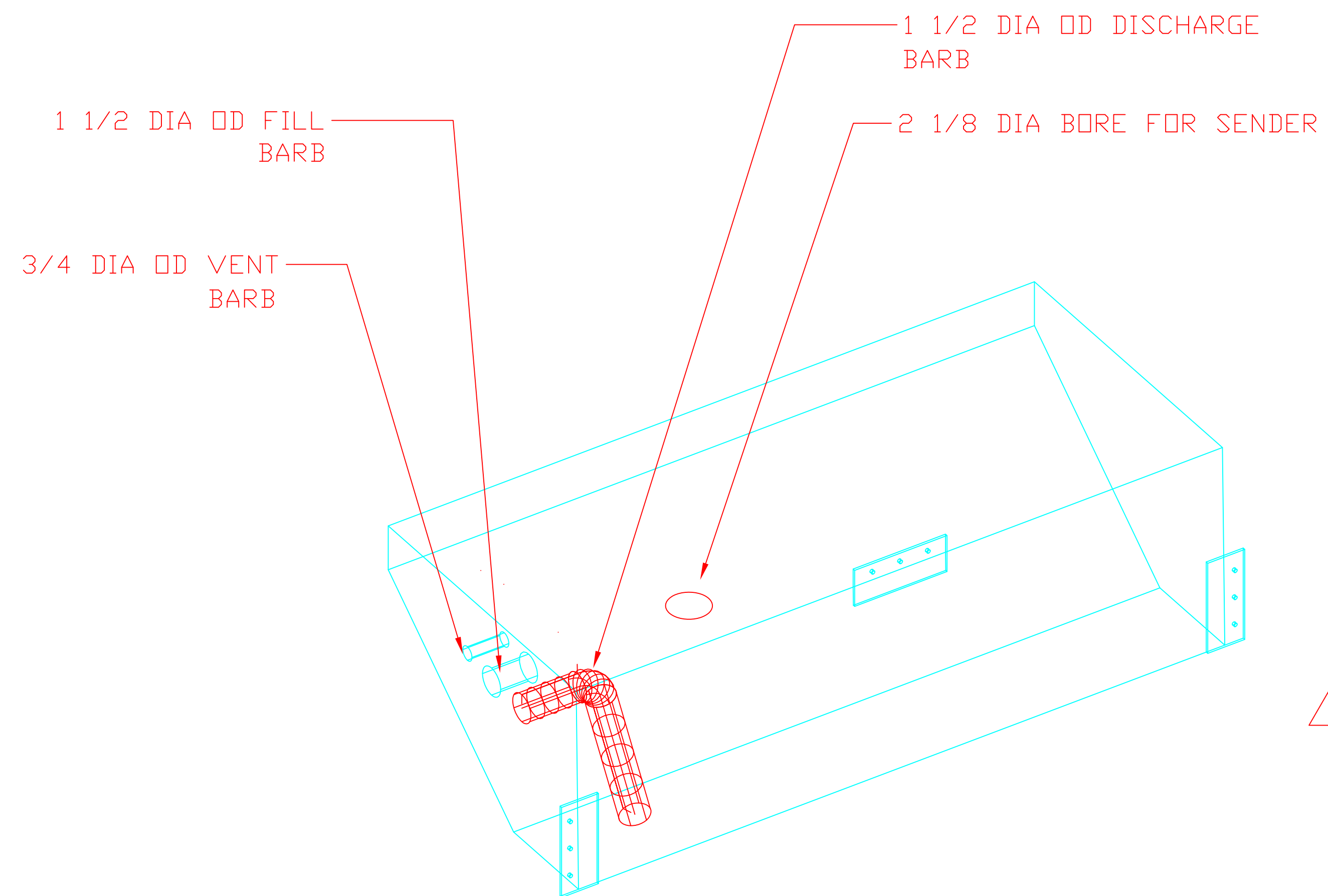


B



2 x 1/8 x 5 TYP DRILL FOR #10 SCREWS

A



C

C

- NOTE-
1. MATERIAL: 5052 H32 ALUMINUM OR POLYETHYLENE
 2. CAPACITY: APPROX. 20 GAL U.S.
 3. QUANTITY: 1 PER BOAT
 4. TANK MUST MEET ALL USCG AND ABYC STANDARDS
 5. MAKE PROVISIONS FOR WEMA/DYNATROL LEVEL INDICATOR

PROPRIETARY INFORMATION: THIS DRAWING CONTAINS INFORMATION FOR WHICH HUNTER MARINE CORPORATION HAS PROPRIETARY RIGHTS.

HUNTER 310

DRAWING TITLE: WASTE TANK

DRAWN BY: JEFF DUVAL DATE: 8/20/96 SHEET # OF #

SCALE: 1/4 HUNTER PART NO. N/A DRAWING NO. 306-50002