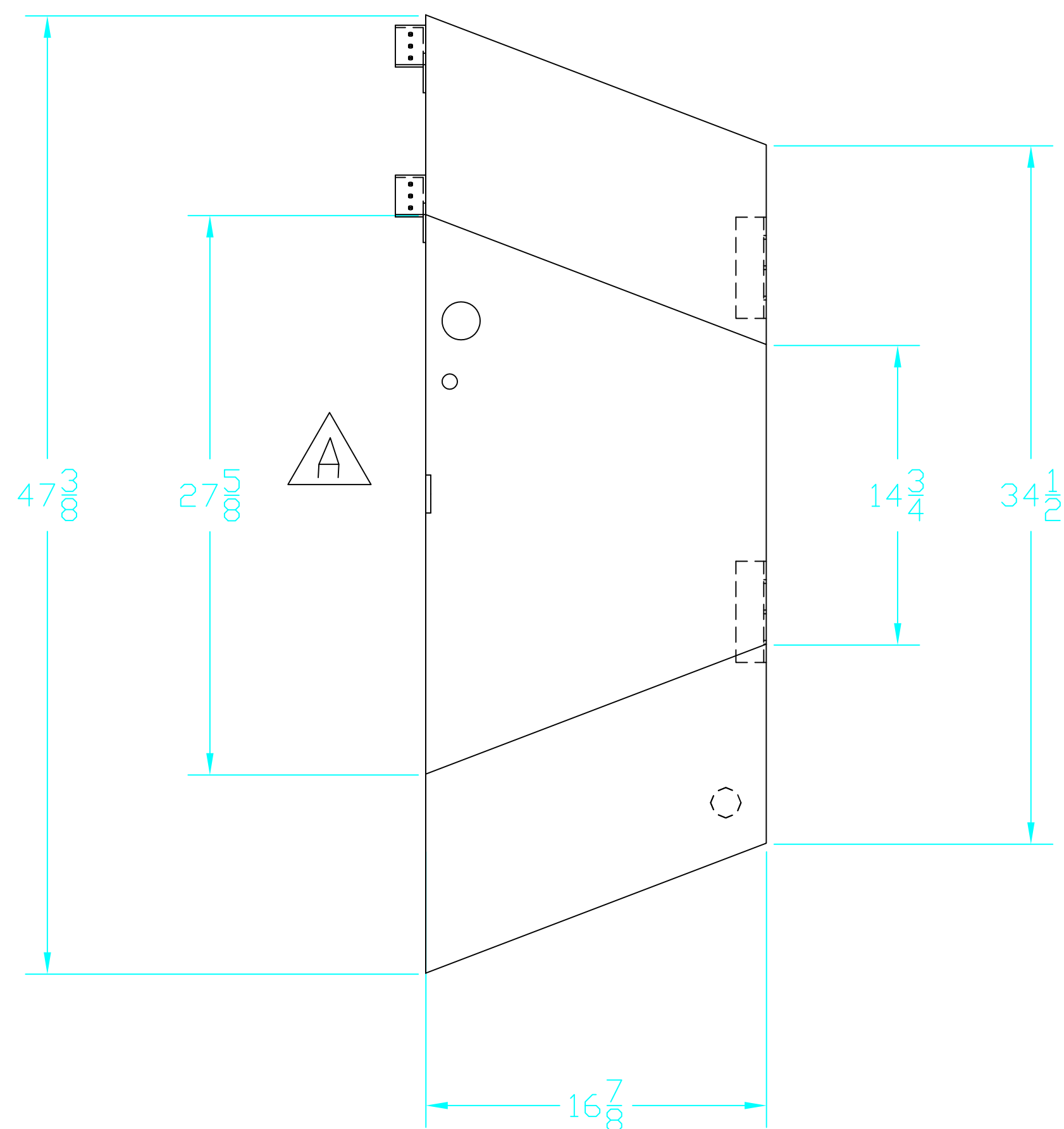
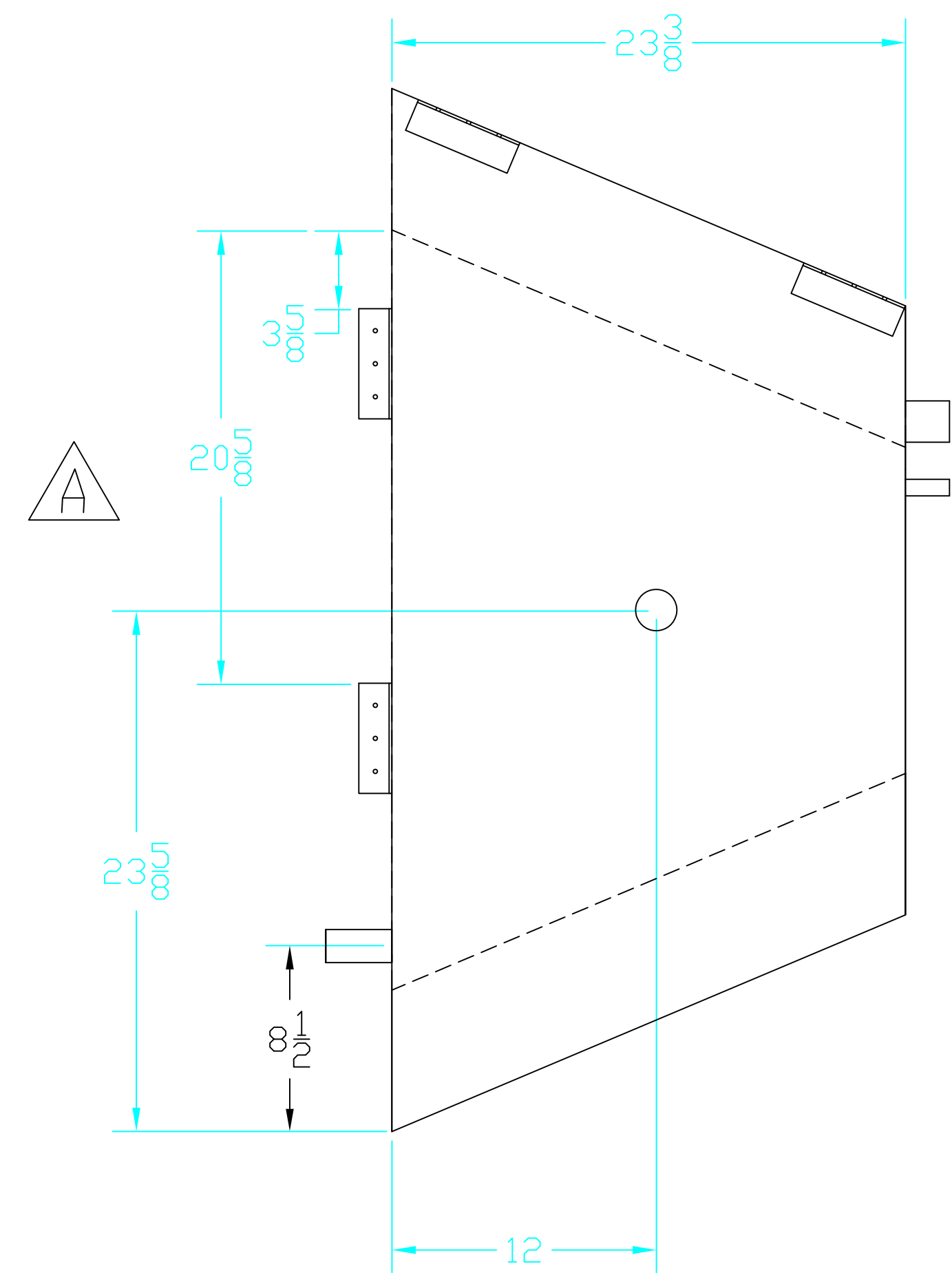
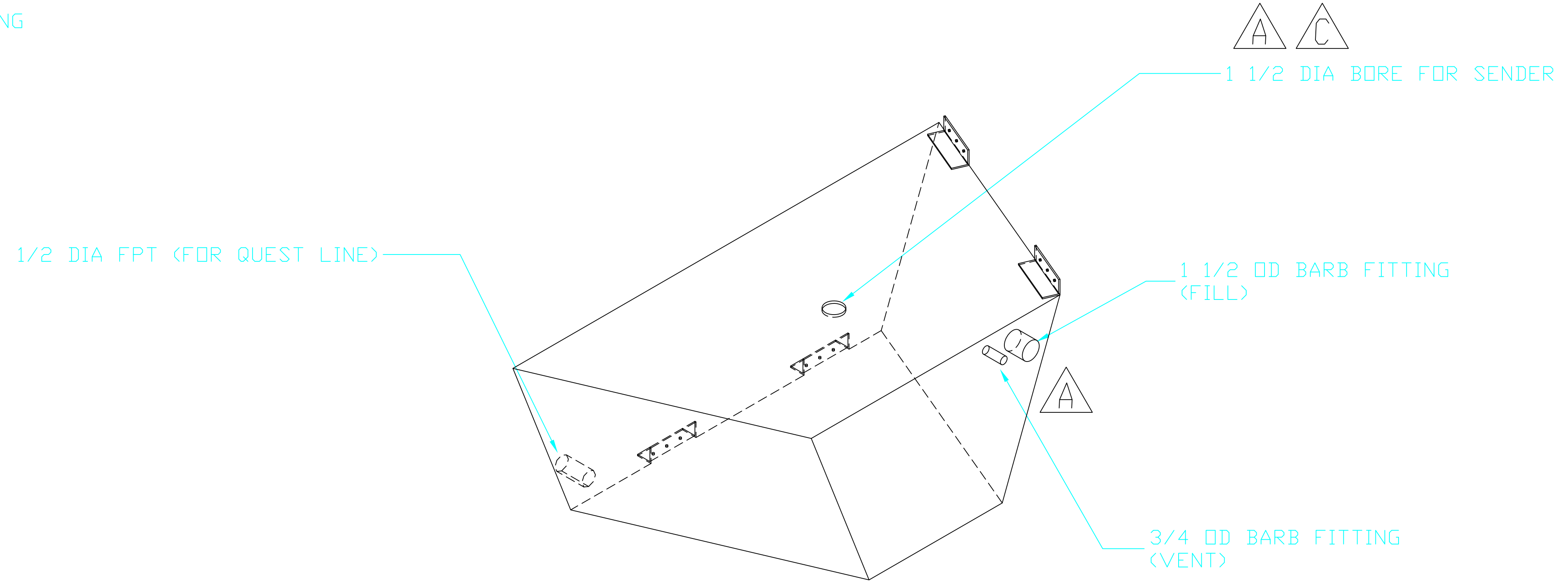
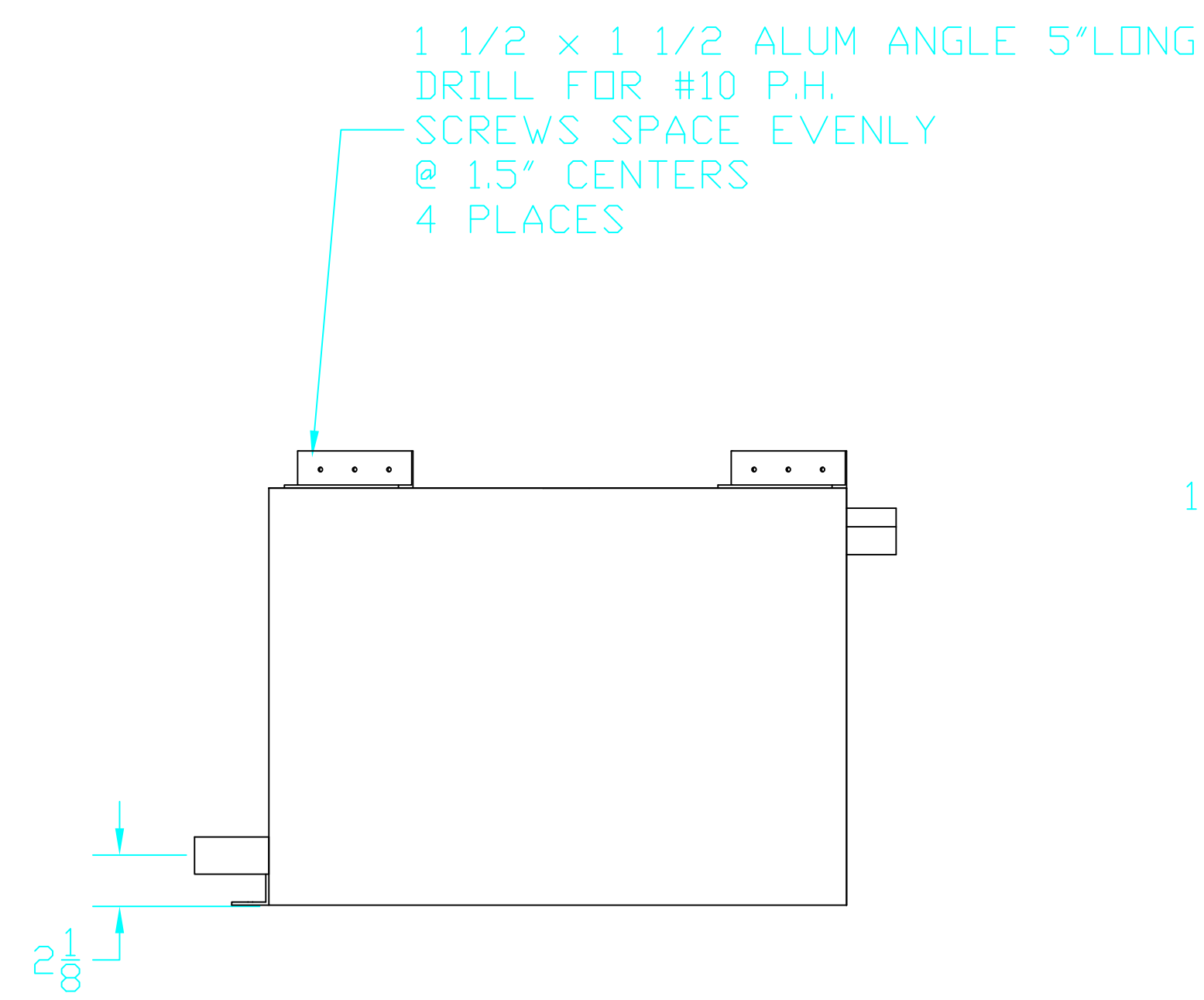


SYMBOL	REVISIONS	DATE	NAME
A	MOVED VENT TO FRONT FACE, DIA OF SENDER	11/5/96	KJC
B	MOVE MOUNTING FLANGE	11/7/96	JD
C	CHANGED SENDER FITTING TO 1.5"	3/11/98	JAR



- NOTE -
1. MATERIAL: 5052-H32 ALUM.
 2. CAPACITY: APPROX 50 GAL. US
 3. QUANTITY: 1 PER BOAT
 4. TANK MUST MEET ALL USCG AND ABYC STANDARDS
 5. MAKE PROVISIONS FOR WEMA/DYNATROL LEVEL INDECATOR
 6. NO FITTING TO PROTRUDE MORE THAN 2" ABOVE TANK



PROPRIETARY INFORMATION: THIS DRAWING CONTAINS INFORMATION FOR WHICH HUNTER MARINE CORPORATION HAS PROPRIETARY RIGHTS.

HUNTER 310

DRAWING TITLE: FWD WATER TANK

DRAWN BY: JEFF DUVAL DATE: 8/6/96 SHEET # OF #

SCALE: 1/6 HUNTER PART NO. N/A DRAWING NO. 306-50003