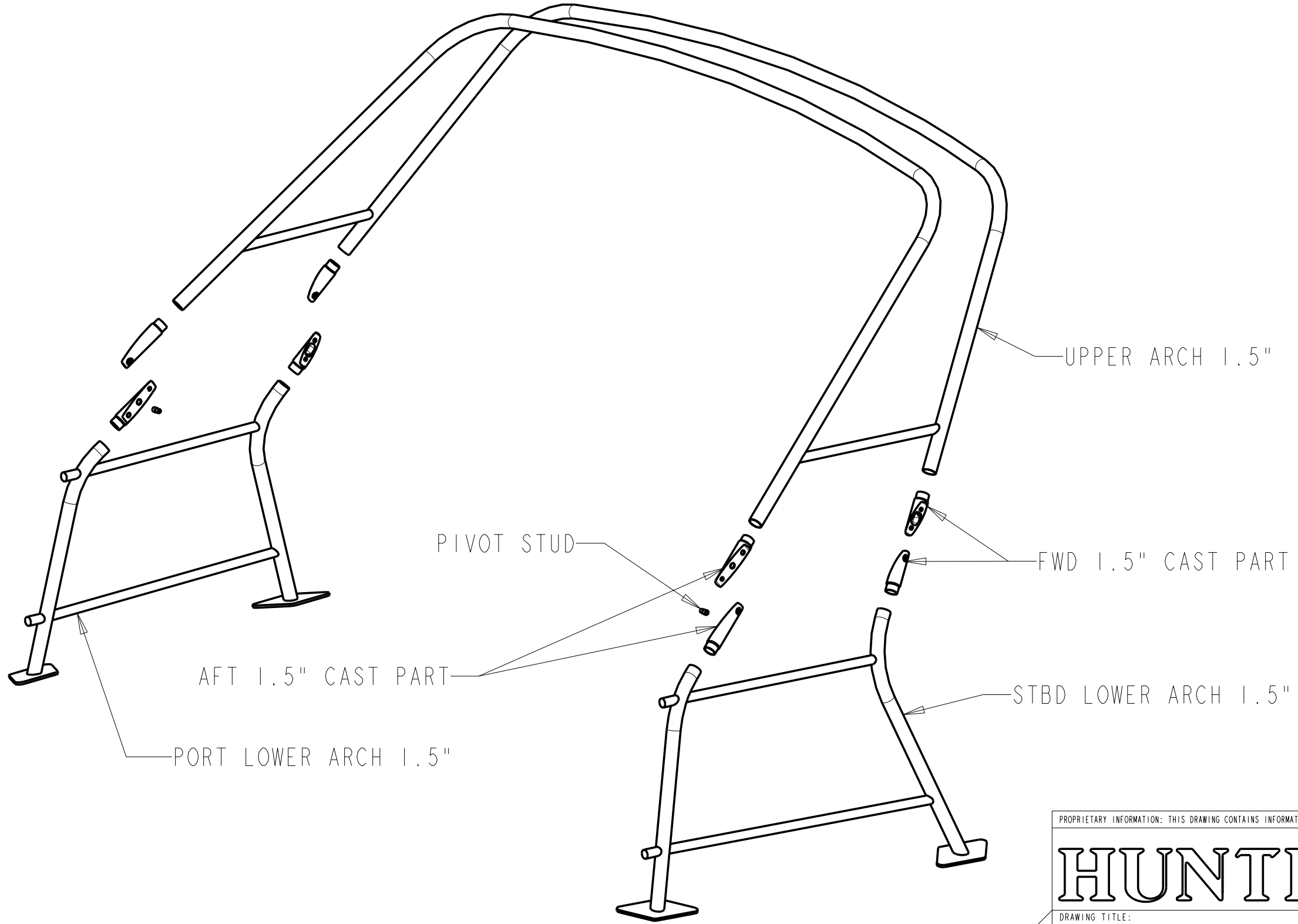


SYMBOL	REVISIONS	DATE	ENG



PROPRIETARY INFORMATION: THIS DRAWING CONTAINS INFORMATION FOR WHICH HUNTER MARINE CORPORATION HAS PROPRIETARY RIGHTS.

HUNTER  **30**

DRAWING TITLE:

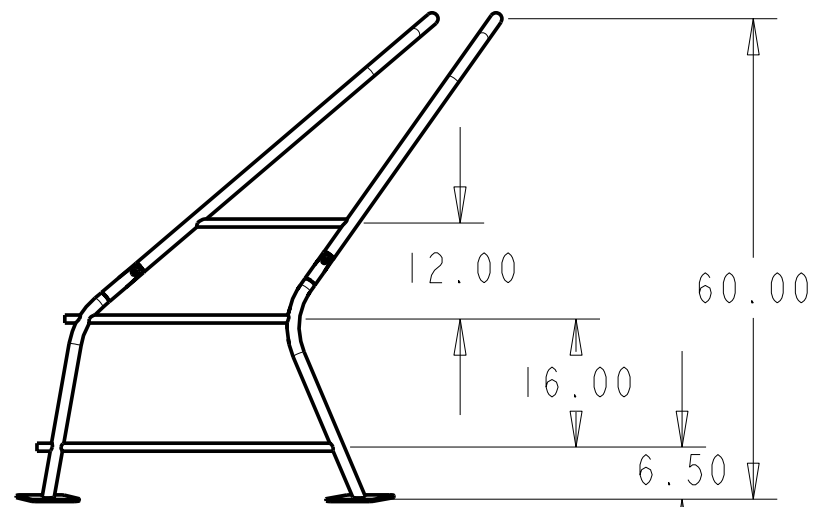
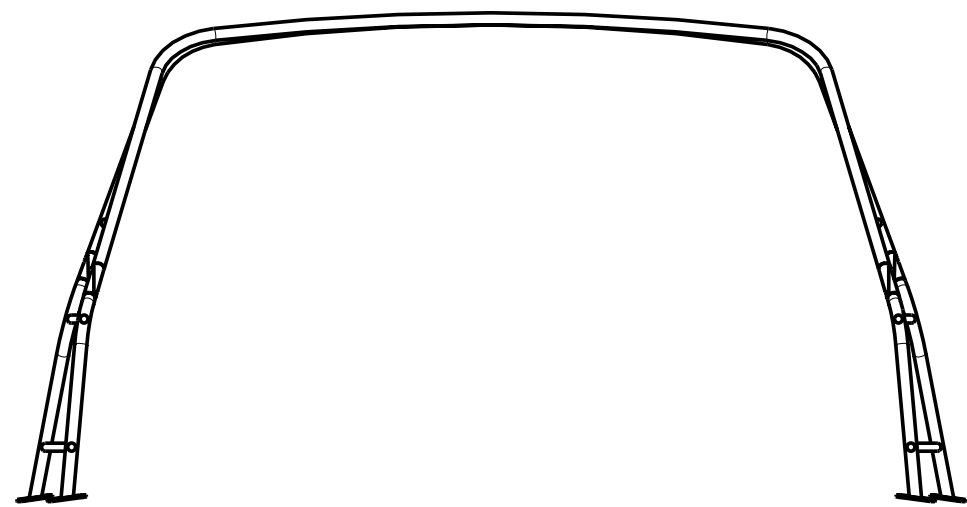
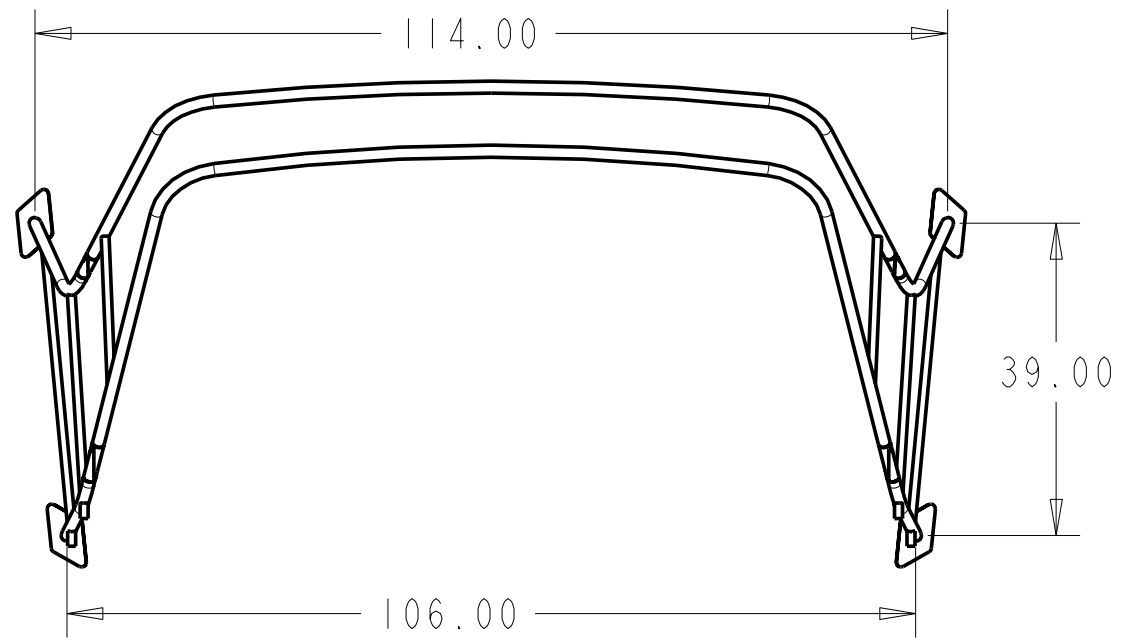
FOLDING ARCH 15"

DRAWN BY: **JTM** DATE: **13-Oct-04** SHEET **1** OF **6**

SCALE: **0.083** HUNTER PART NO. **TBD** REVISION **30** DRAW # **ARCH-FOLDING TUBING**

CHECKED:

SYMBOL	REVISIONS	DATE	ENG



PROPRIETARY INFORMATION: THIS DRAWING CONTAINS INFORMATION FOR WHICH HUNTER MARINE CORPORATION HAS PROPRIETARY RIGHTS.

HUNTER  **30**

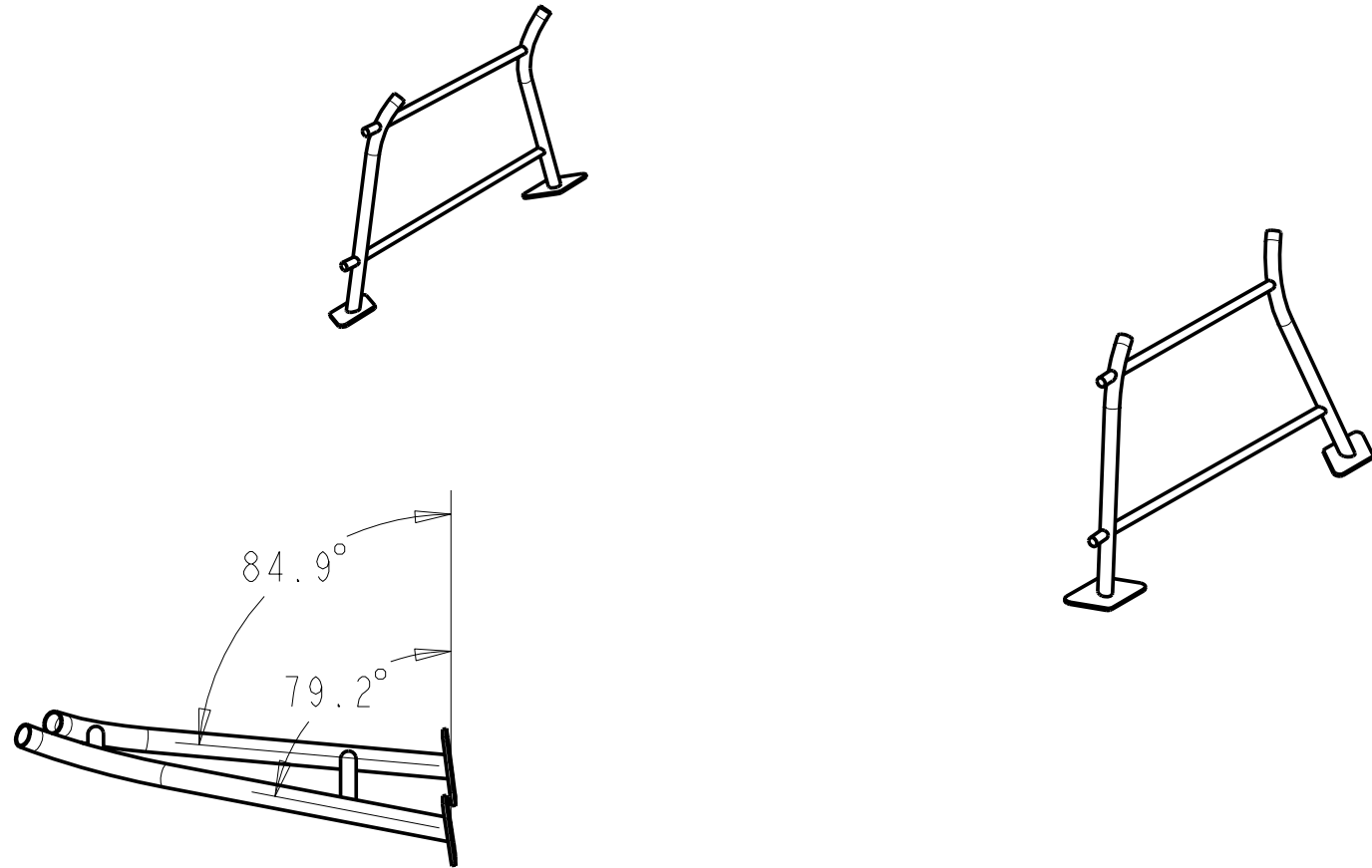
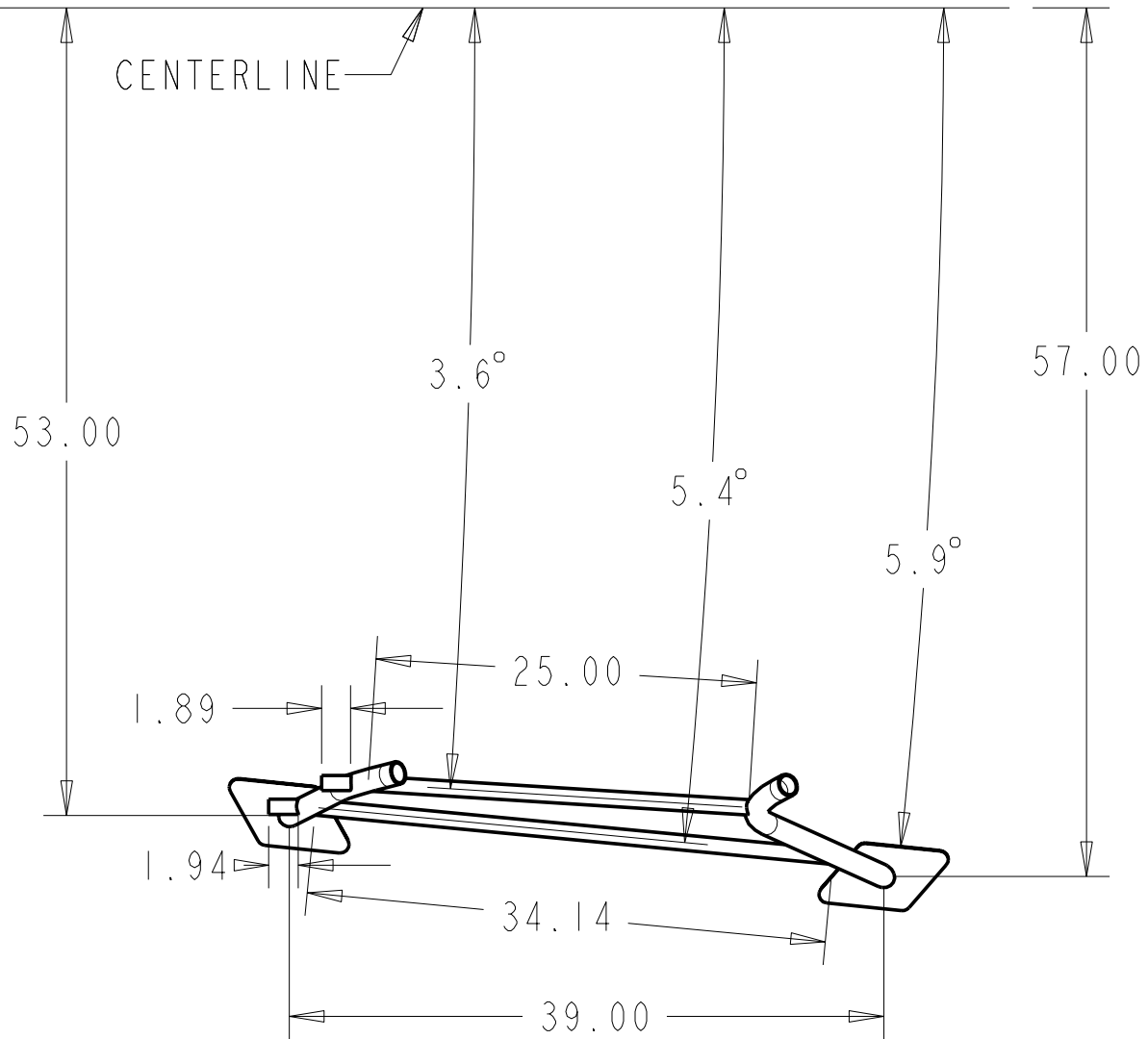
DRAWING TITLE:
FOLDING ARCH 15"

DRAWN BY: **JTM** DATE: **13-Oct-04** SHEET **2** OF **6**

SCALE: **0.042** HUNTER PART NO. **TBD** REVISION **30** DRAW # **ARCH-FOLDING TUBING**

CHECKED:

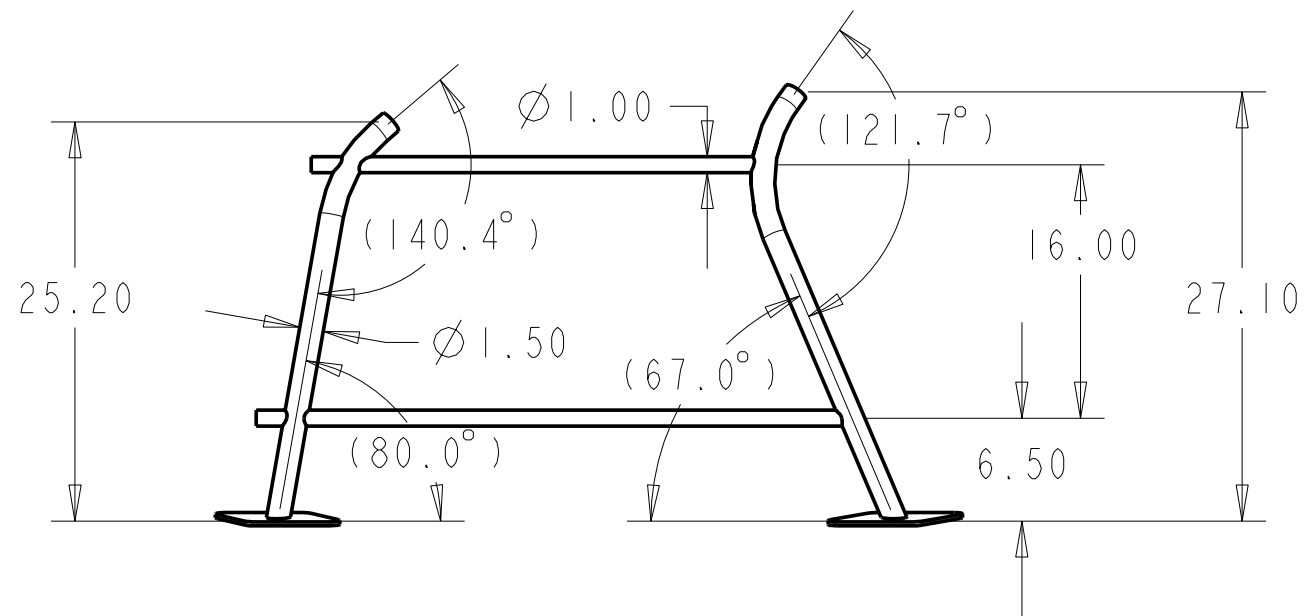
SYMBOL	REVISIONS	DATE	ENG



FOLDING ARCH- LOWER TUBING
(STBD SIDE SHOWN)

NOTES: SCALE=0.083

1. MATERIAL: 1.5" STAINLESS STEEL TUBING
2. ALL DIMENSIONS ARE INCHES AND DEGREES
3. ALL WELDS TO MEET AWS STANDARDS.
4. BREAK AND DEBURR ALL EDGES
5. BRIGHT POLISH AFTER FABRICATION
6. MIRROR PART FOR PORT SIDE



PROPRIETARY INFORMATION: THIS DRAWING CONTAINS INFORMATION FOR WHICH HUNTER MARINE CORPORATION HAS PROPRIETARY RIGHTS.

HUNTER  **30**

DRAWING TITLE:

FOLDING ARCH- LOWER TUBING

DRAWN BY: **JTM** DATE: **13-Oct-04** SHEET **3** OF **6**

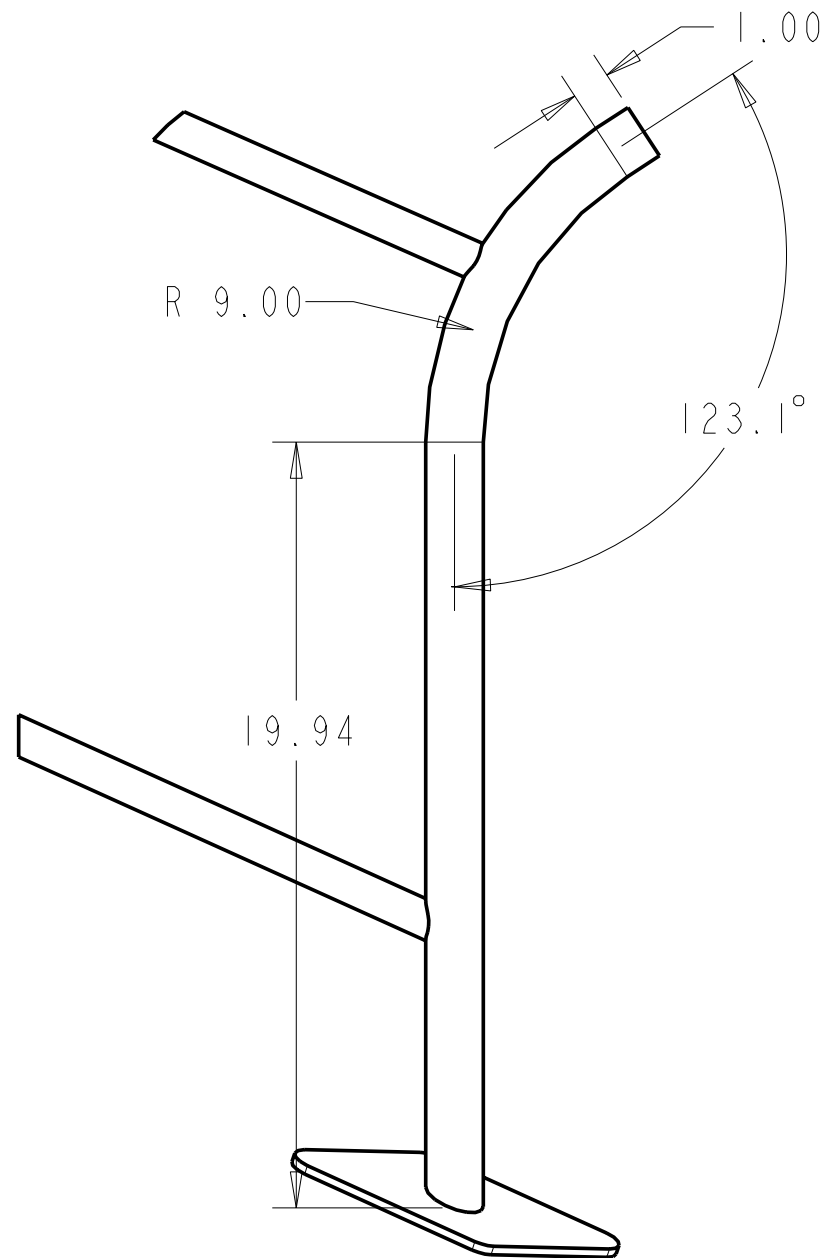
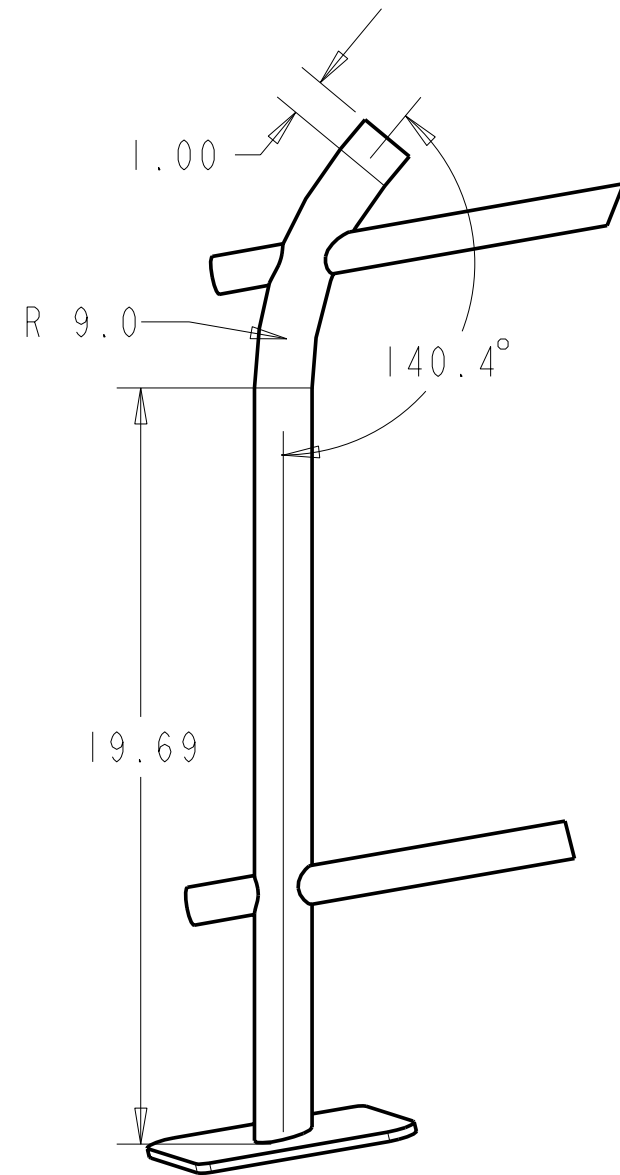
SCALE: **0.083** HUNTER PART NO. **TBD** REVISION **30 ARCH FOLDING TUBING** DRAW #

CHECKED:

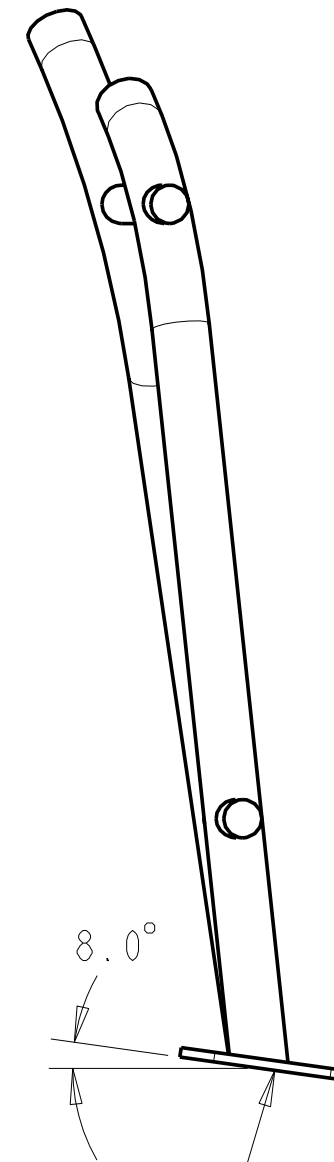
AFT LEG TRUE BEND ANGLE

FWD LEG TRUE BEND ANGLE

SYMBOL	REVISIONS	DATE	ENG



ANGLE OF MOUNTING PAD
(TO DWL)



STANDARD ARCH MOUNTING PAD

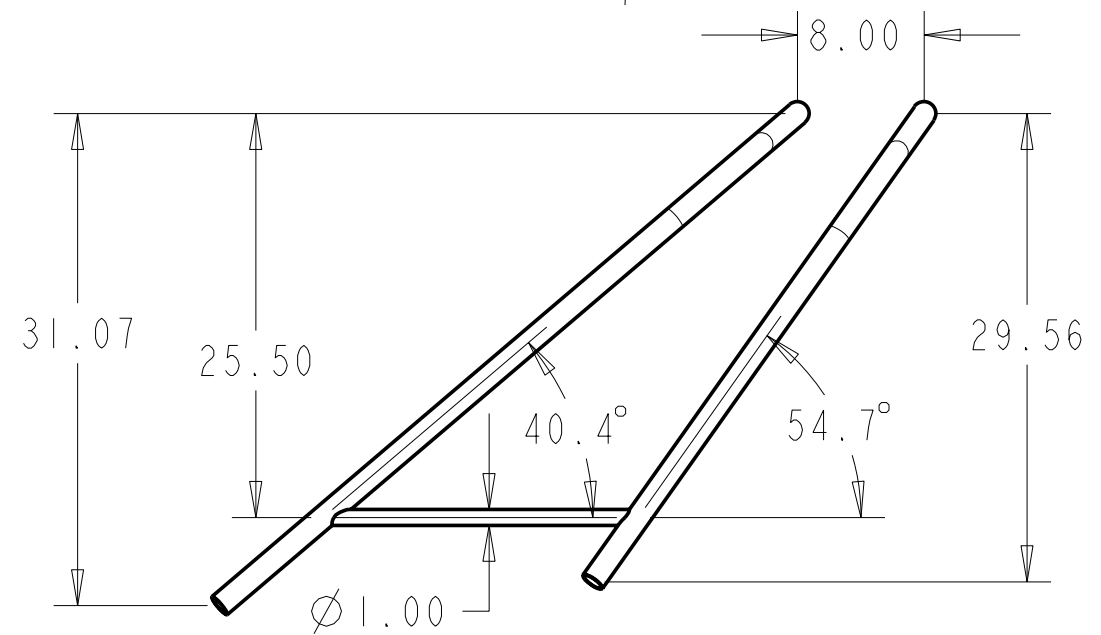
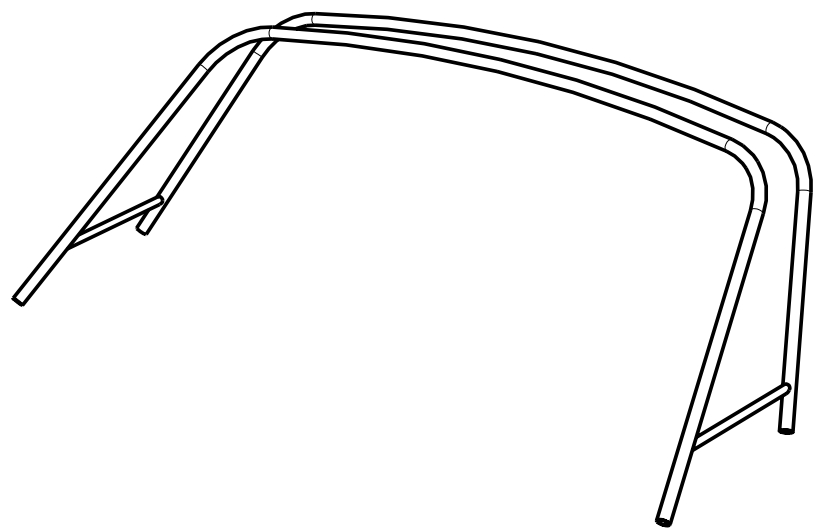
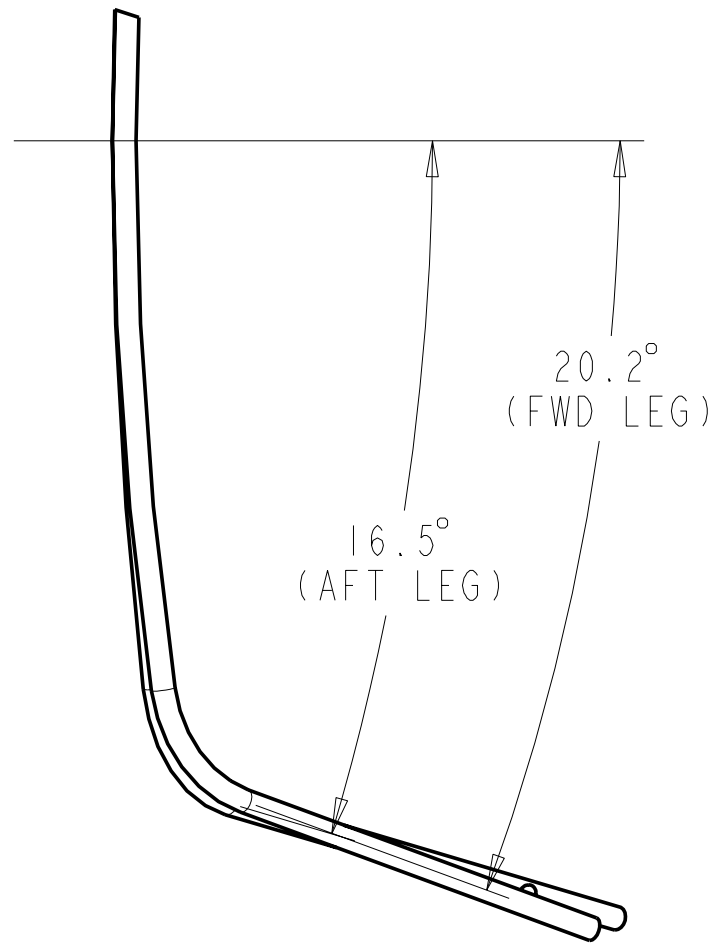
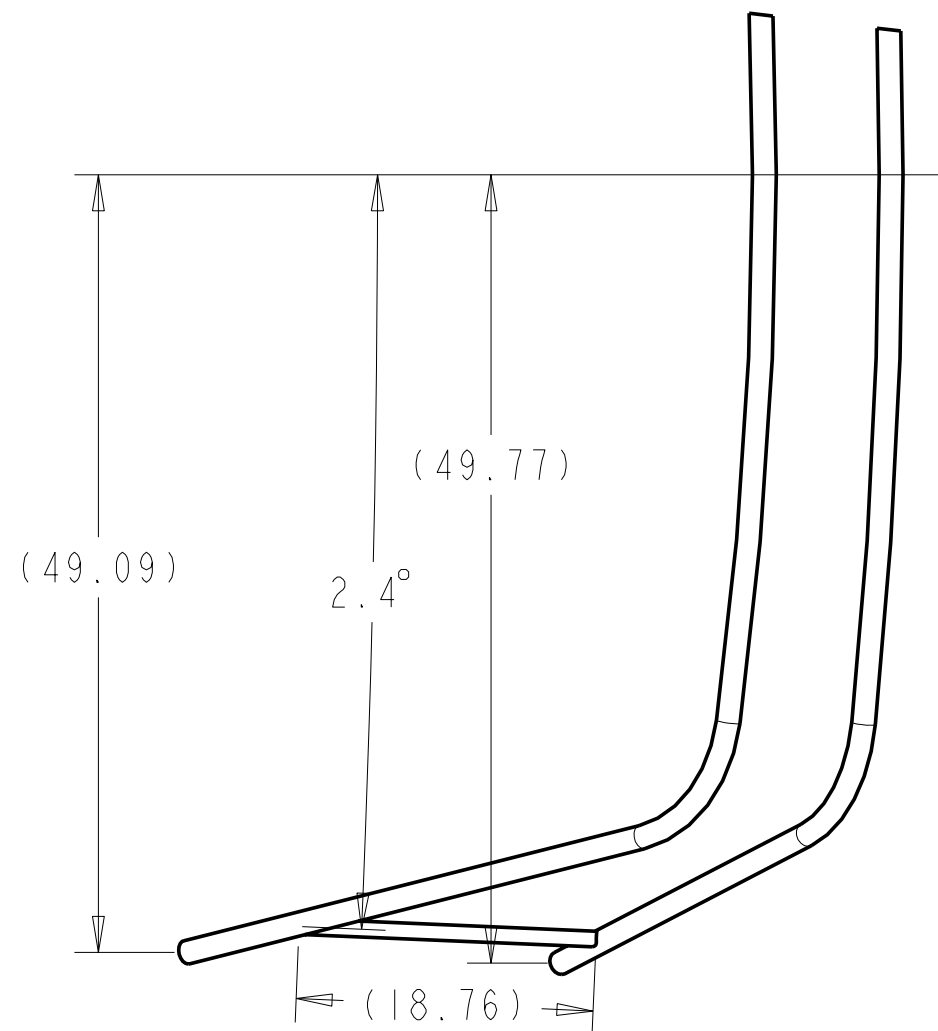
PROPRIETARY INFORMATION: THIS DRAWING CONTAINS INFORMATION FOR WHICH HUNTER MARINE CORPORATION HAS PROPRIETARY RIGHTS.

HUNTER  **30**

DRAWING TITLE: FOLDING ARCH- LOWER TUBING			
DRAWN BY: JTM	DATE: 13-Oct-04	SHEET 4	OF 6
SCALE: 0.200	HUNTER PART NO. TBD	REVISION	DRAW # 30 ARCH FOLDING TUBING

CHECKED:


SYMBOL	REVISIONS	DATE	ENG



FOLDING ARCH-UPPER ARCH
 NOTES: SCALE=0.083
 1. MATERIAL: 1.5" x .083 THICK STAINLESS STEEL
 2. ALL DIMENSIONS ARE INCHES AND DEGREES
 3. ALL WELDS TO MEET AWS STANDARDS.
 4. BREAK AND DEBURR ALL EDGES
 5. BRIGHT POLISH AFTER FABRICATION

CHECKED:

PROPRIETARY INFORMATION: THIS DRAWING CONTAINS INFORMATION FOR WHICH HUNTER MARINE CORPORATION HAS PROPRIETARY RIGHTS.

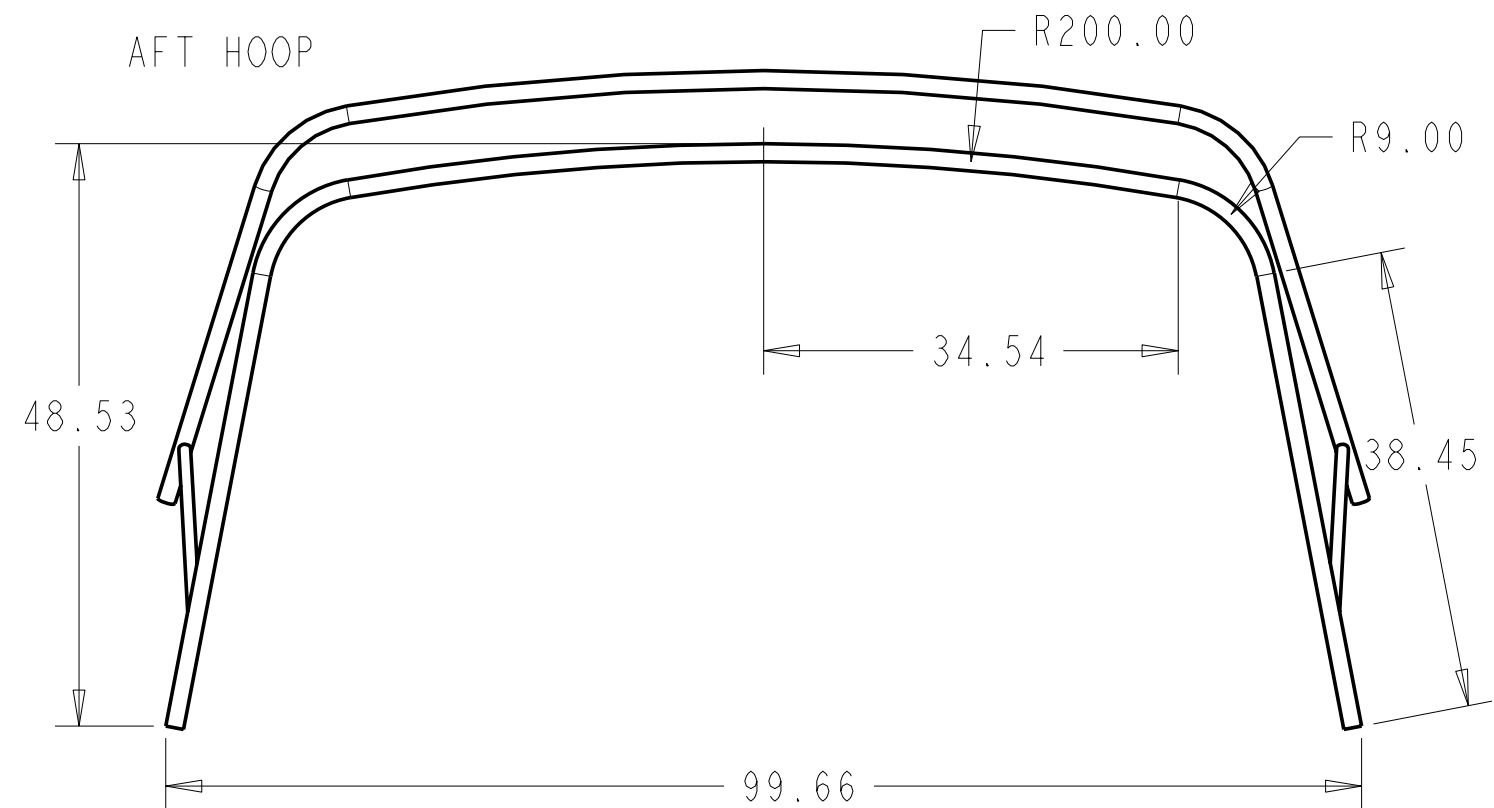
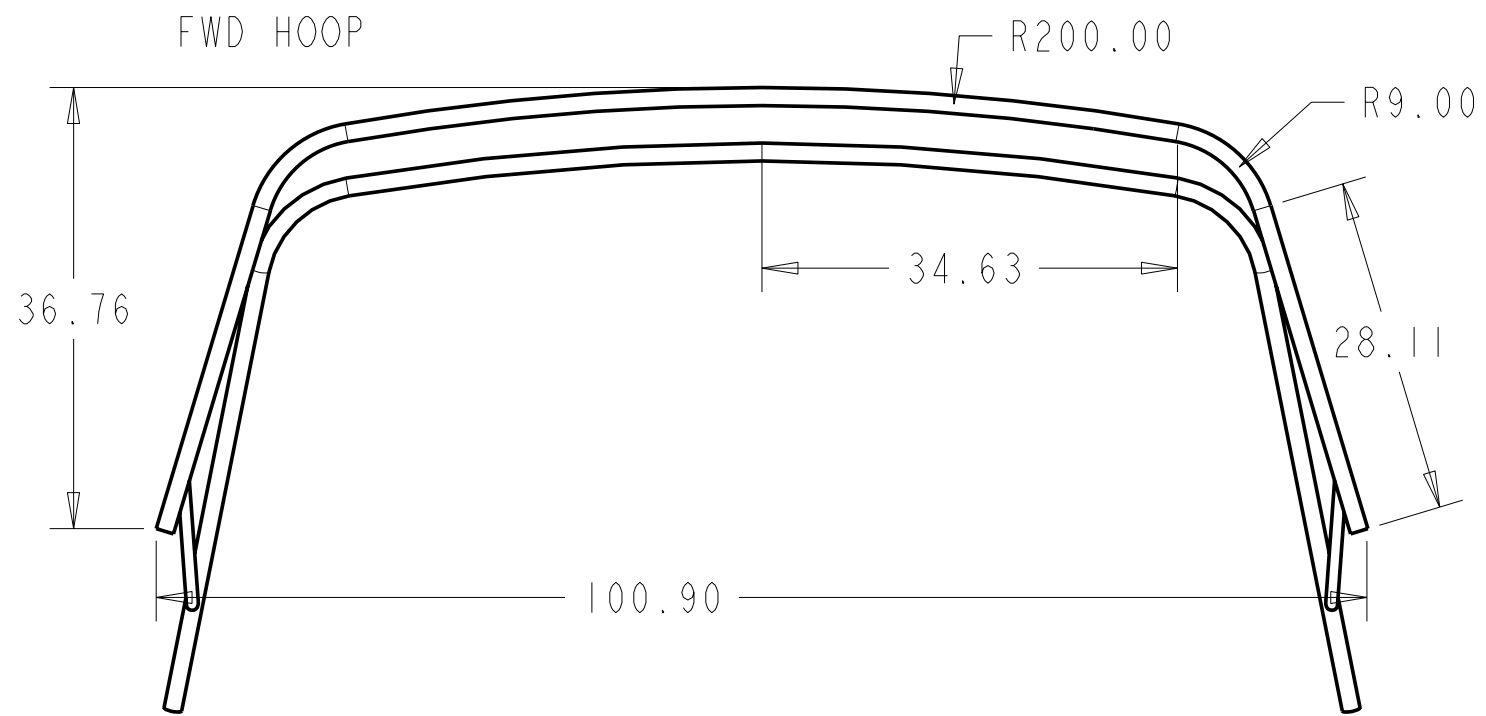
HUNTER  **30**

DRAWING TITLE:
FOLDING ARCH-UPPER ARCH

DRAWN BY: JTM DATE: 13-Oct-04 SHEET 5 OF 6

SCALE: 0.083 HUNTER PART NO. TBD REVISION DRAW #
30 ARCH FOLDING TUBING

SYMBOL	REVISIONS	DATE	ENG



PROPRIETARY INFORMATION: THIS DRAWING CONTAINS INFORMATION FOR WHICH HUNTER MARINE CORPORATION HAS PROPRIETARY RIGHTS.

HUNTER  **30**

DRAWING TITLE:
FOLDING ARCH-UPPER ARCH

DRAWN BY: JTM DATE: 13-Oct-04 SHEET 6 OF 6

SCALE: 0.063 HUNTER PART NO. TBD REVISION DRAW #
30 ARCH FOLDING TUBING

CHECKED: