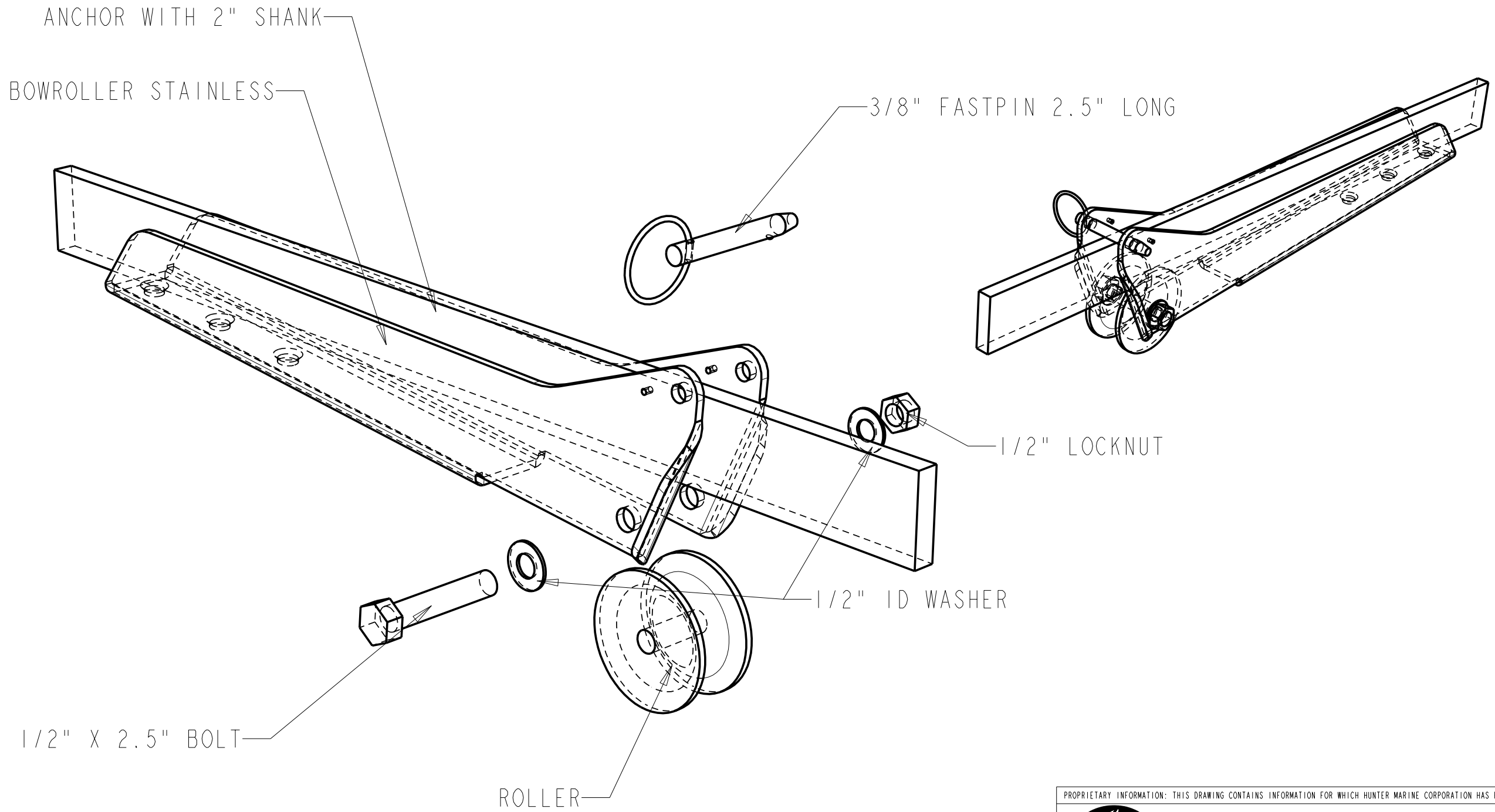


SYMBOL	REVISIONS	DATE	ENG



PROPRIETARY INFORMATION: THIS DRAWING CONTAINS INFORMATION FOR WHICH HUNTER MARINE CORPORATION HAS PROPRIETARY RIGHTS.



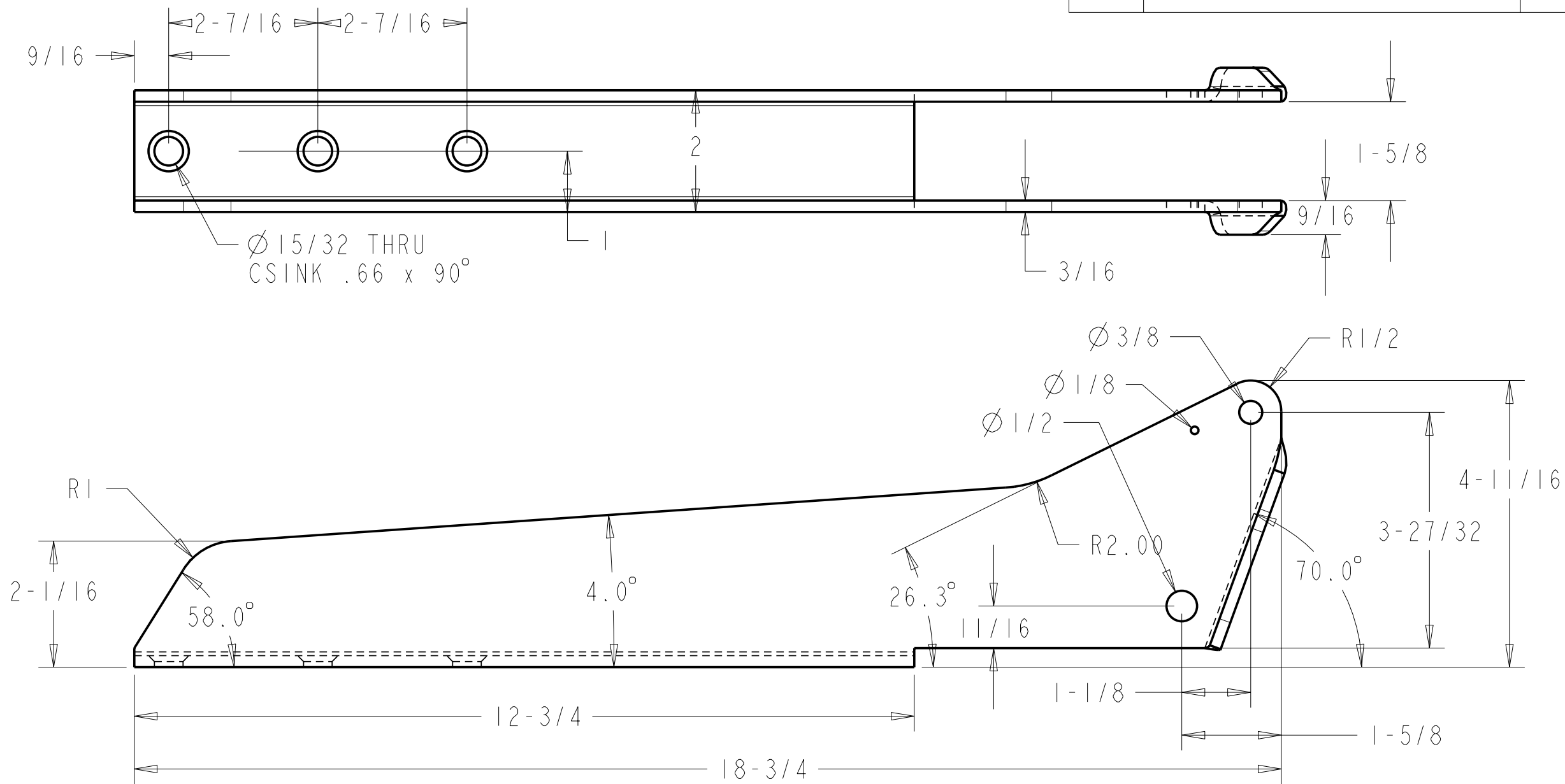
DRAWING TITLE:  
**BOWROLLER**

DRAWN BY: **JTM**      DATE: **06-Dec-04**      SHEET **1** OF **4**

SCALE: **1:000**      HUNTER PART NO.: **TBD**      REVISION      DRAW # **30\_BOWROLLER\_REV B**

CHECKED:

SYMBOL	REVISIONS	DATE	ENG
A	ORIGINAL ISSUE	12/6/04	JTM
B	RELOCATED ROLLER AND PIN HOLES MODIFIED FRONT ANGLE	1/12/05	JTM
C	ADD 2" TO LENGTH, 3/16" THICK	1/13/05	JTM



**BOWROLLER**

NOTES: SCALE=0.500

1. MATERIAL: 316 STAINLESS PLATE
2. ALL DIMENSIONS ARE INCHES AND DEGREES
3. ALL WELDS TO MEET AWS STANDARDS.
4. BREAK AND DEBURR ALL EDGES
5. BRIGHT POLISH AFTER FABRICATION

PROPRIETARY INFORMATION: THIS DRAWING CONTAINS INFORMATION FOR WHICH HUNTER MARINE CORPORATION HAS PROPRIETARY RIGHTS.



H U N T E R 30

DRAWING TITLE:

**BOWROLLER**

DRAWN BY:

JTM

DATE:

06-Dec-04

SHEET

2

OF

4

SCALE:

0.500

HUNTER PART NO.

TBD

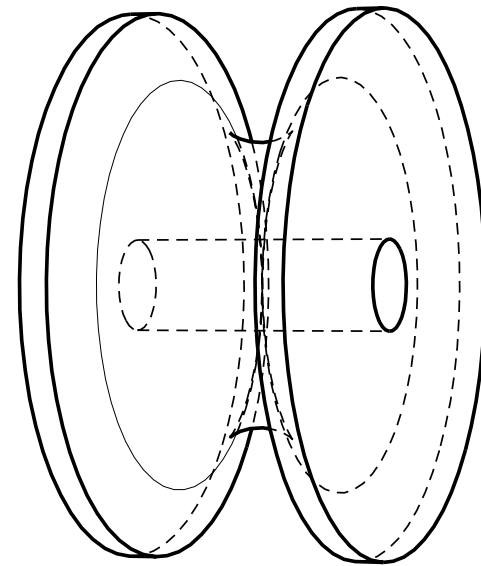
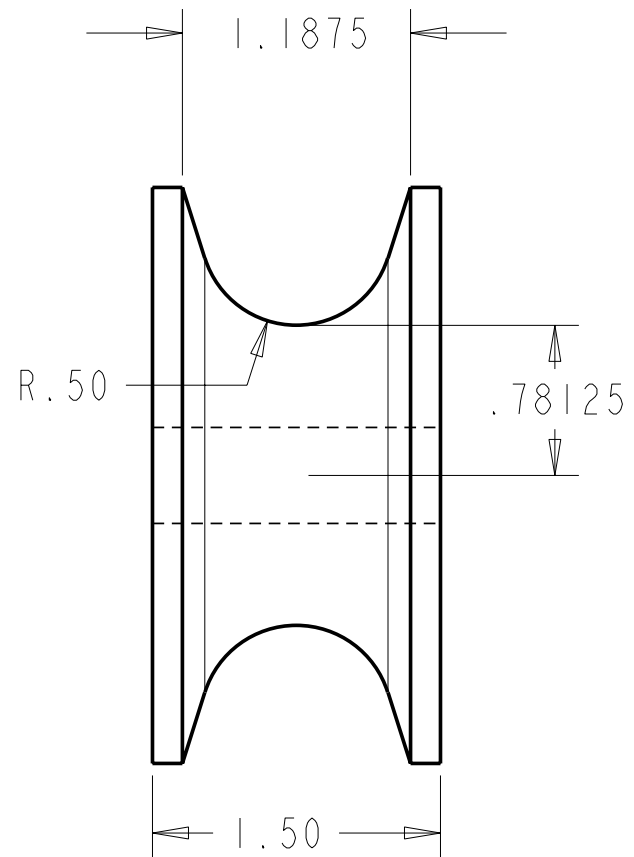
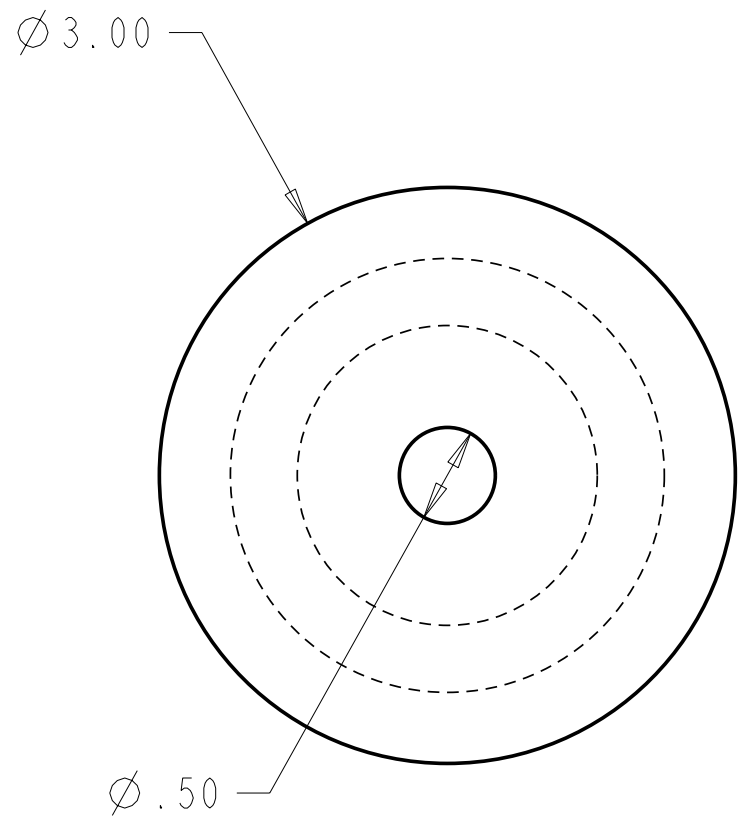
REVISION

DRAW #

30 BOWROLLER REV B


CHECKED:

SYMBOL	REVISIONS	DATE	ENG



ROLLER  
 NOTES: SCALE=1.000  
 1. MATERIAL: DELRIN  
 2. ALL DIMENSIONS ARE INCHES AND DEGREES  
 3. BREAK AND DEBURR ALL EDGES

PROPRIETARY INFORMATION: THIS DRAWING CONTAINS INFORMATION FOR WHICH HUNTER MARINE CORPORATION HAS PROPRIETARY RIGHTS.



H U N T E R **30**

DRAWING TITLE:  
**ROLLER**

DRAWN BY: <b>JTM</b>	DATE: <b>06-Dec-04</b>	SHEET <b>3</b>	OF <b>4</b>
SCALE: <b>1.000</b>	HUNTER PART NO. <b>TBD</b>	REVISION	DRAW # <b>30 BOWROLLER REV B</b>

CHECKED:

