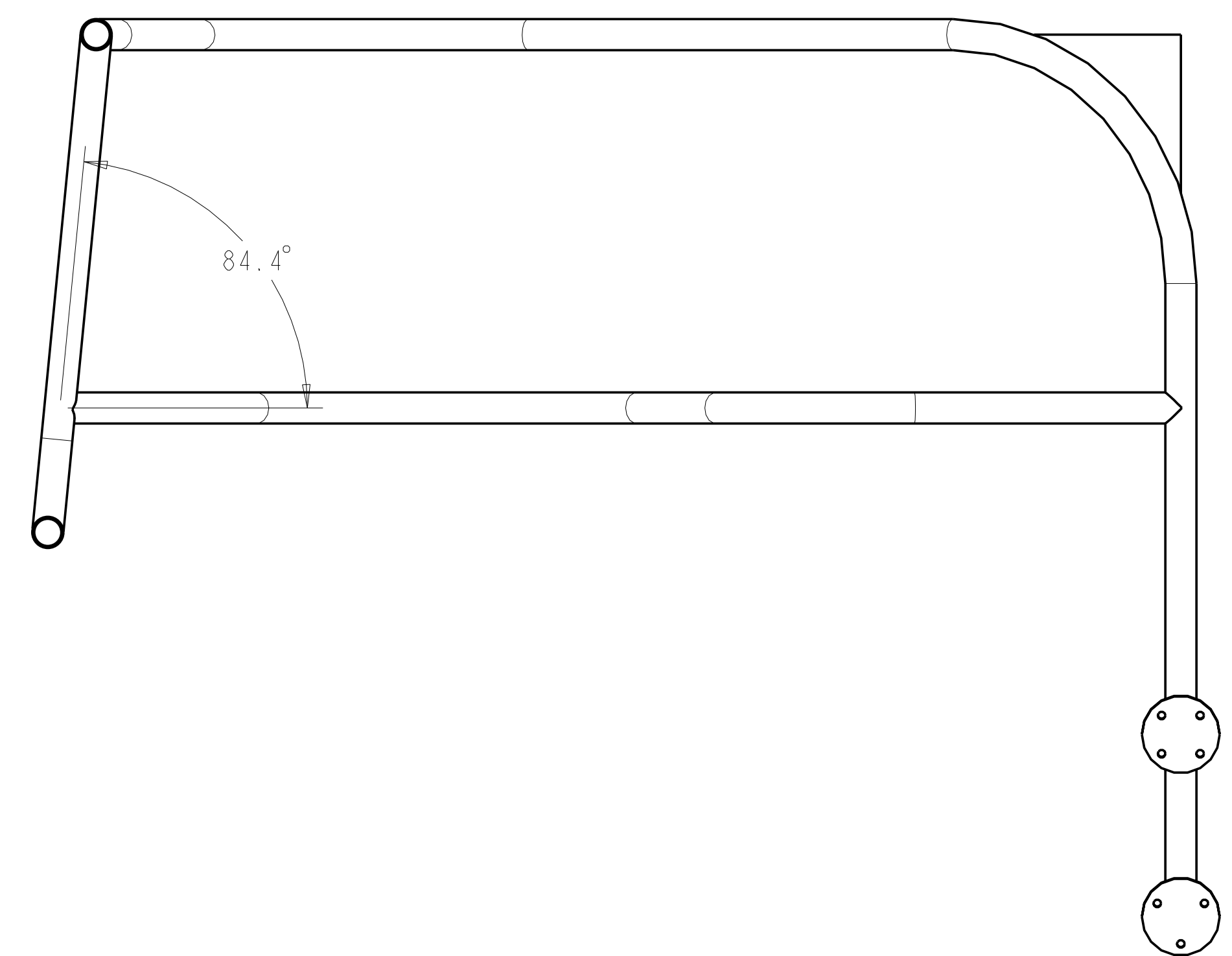
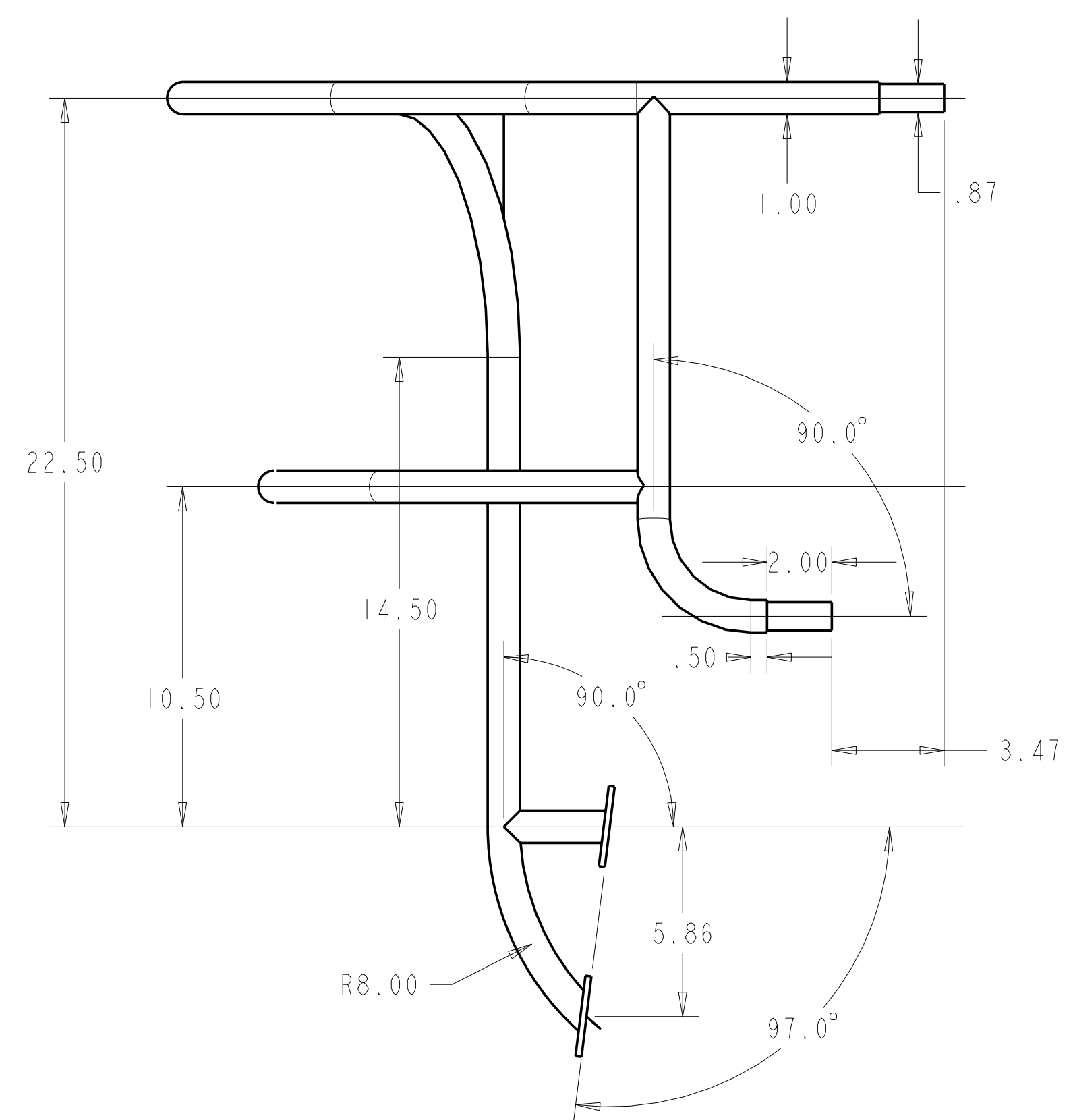
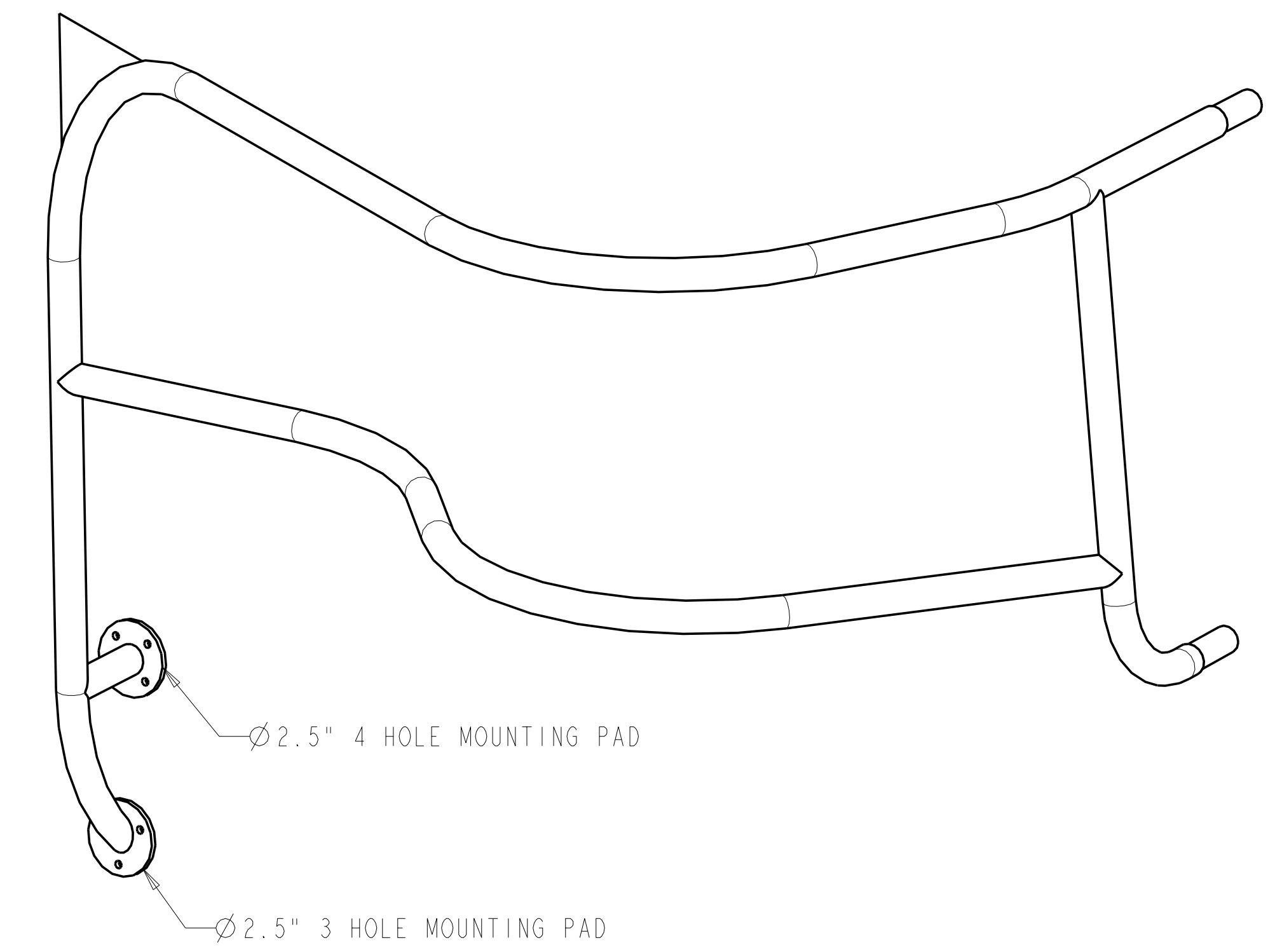
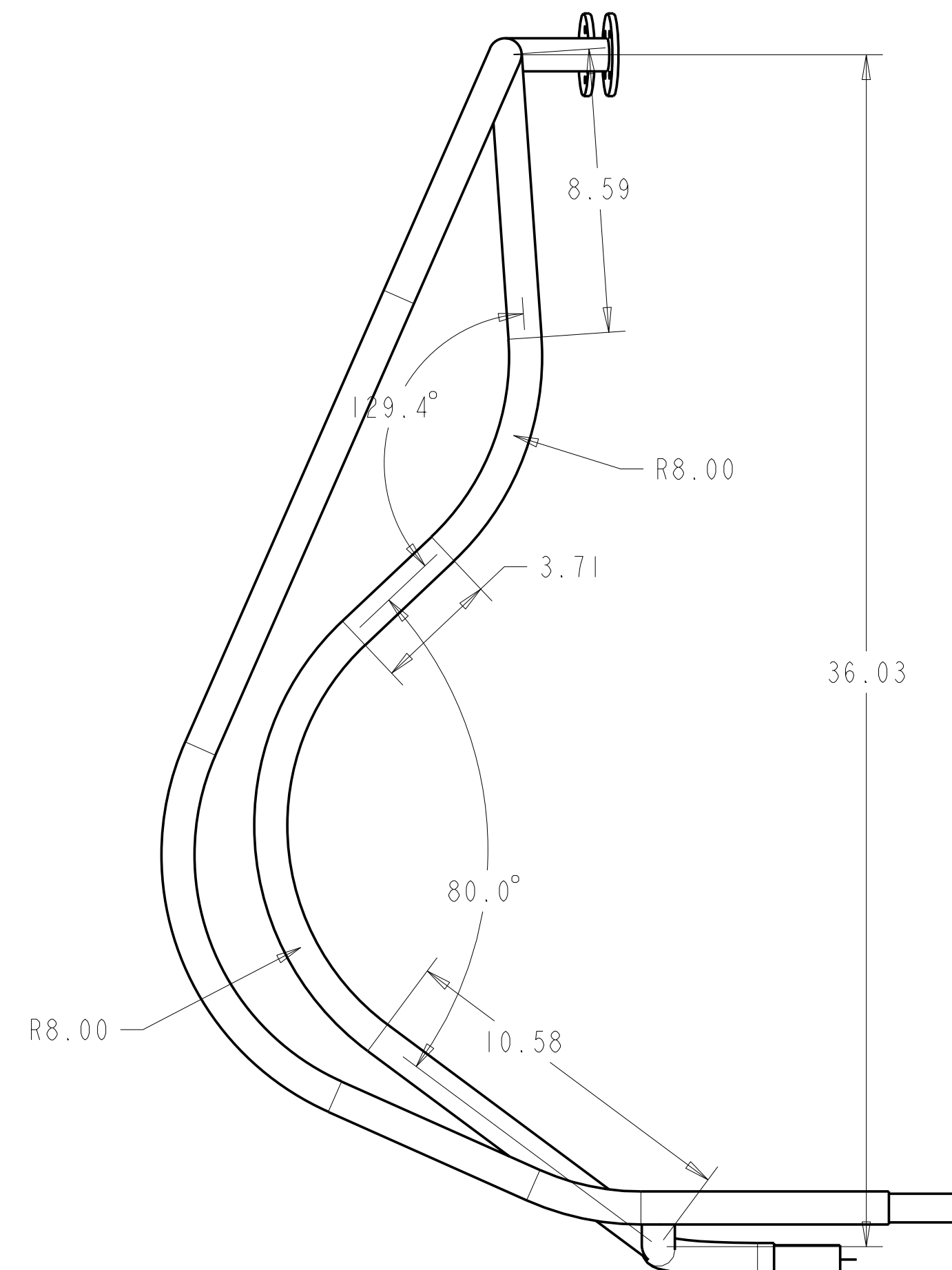
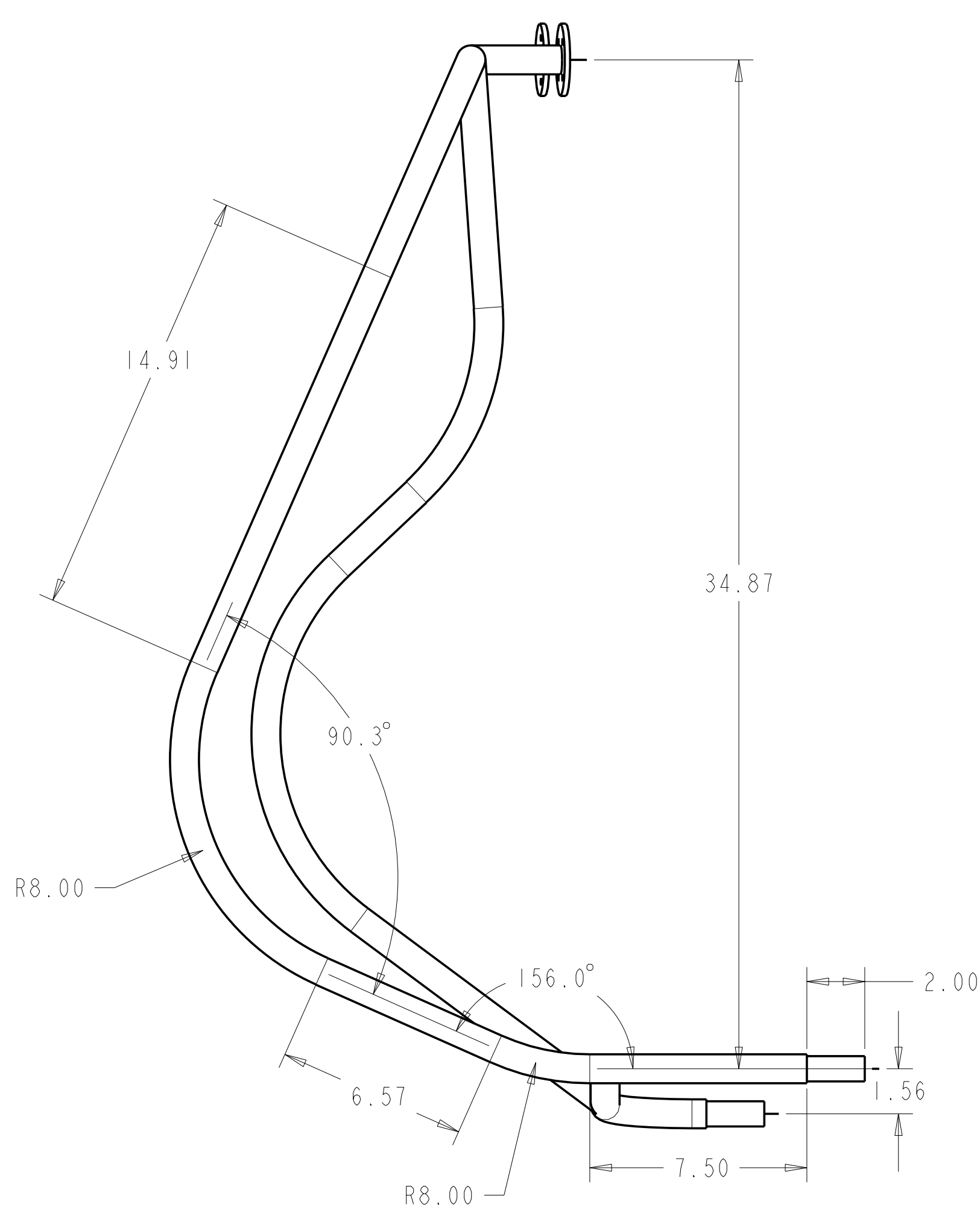



SYMBOL	REVISIONS	DATE	ENG



STERNRAIL SEAT TUBING (STBD SIDE)
 NOTES: SCALE=0.250
 1. MATERIAL: Ø1.0" x .065" STAINLESS TUBING
 2. ALL DIMENSIONS ARE INCHES AND DEGREES
 3. ALL WELDS TO MEET AWS STANDARDS.
 4. BREAK AND DEBURR ALL EDGES
 5. BRIGHT POLISH AFTER FABRICATION
 6. MIRROR PART FOR PORT SIDE
 7. ONE PAIR (ONE PORT, ONE STBD) PER BOAT
 8. JIG TO BE BUILT AND STORED AT HUNTER STAINLESS SHOP

PROPRIETARY INFORMATION: THIS DRAWING CONTAINS INFORMATION FOR WHICH HUNTER MARINE CORPORATION HAS PROPRIETARY RIGHTS

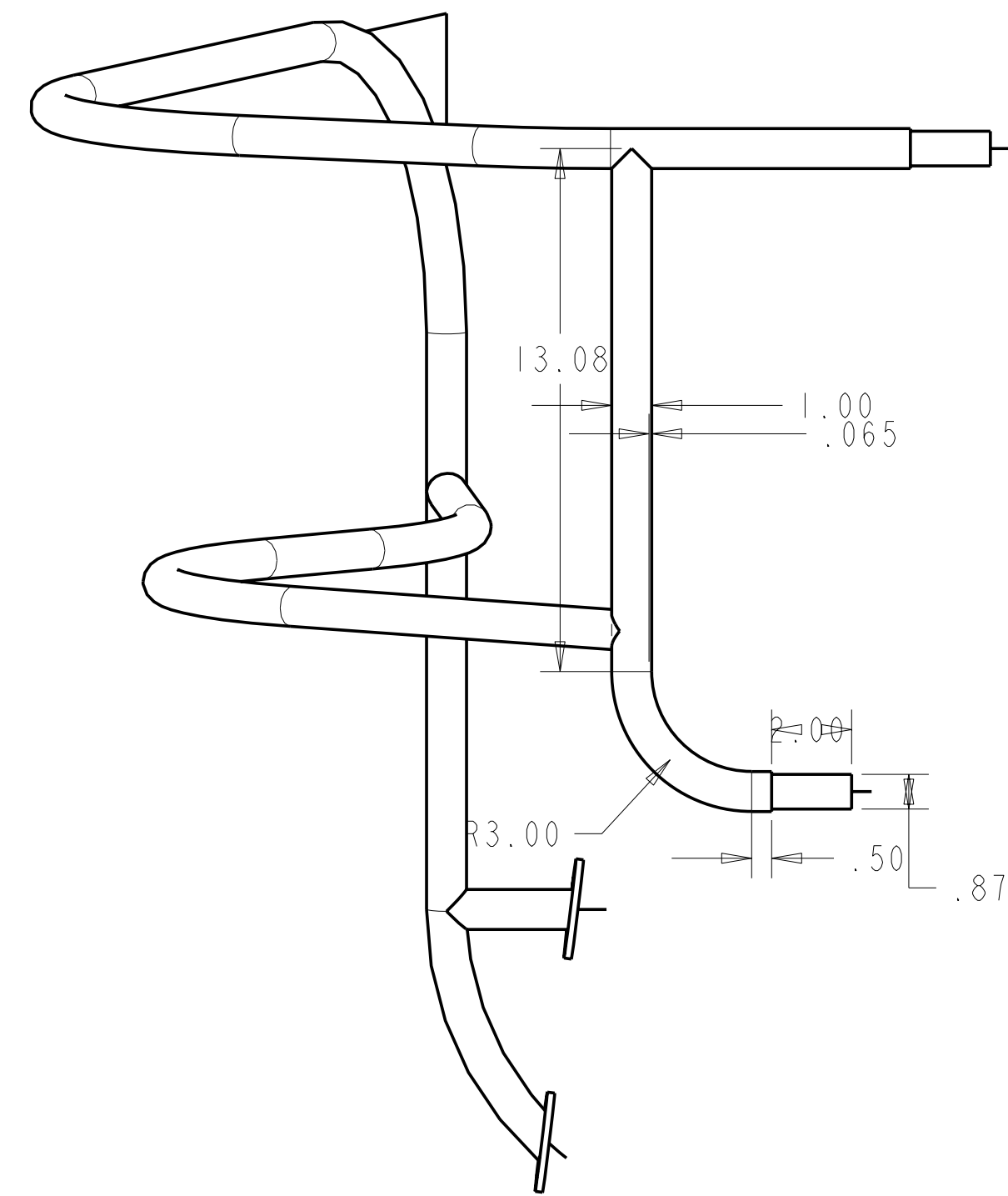
HUNTER  **30**

DRAWING TITLE: **STERNRAIL SEAT TUBING**

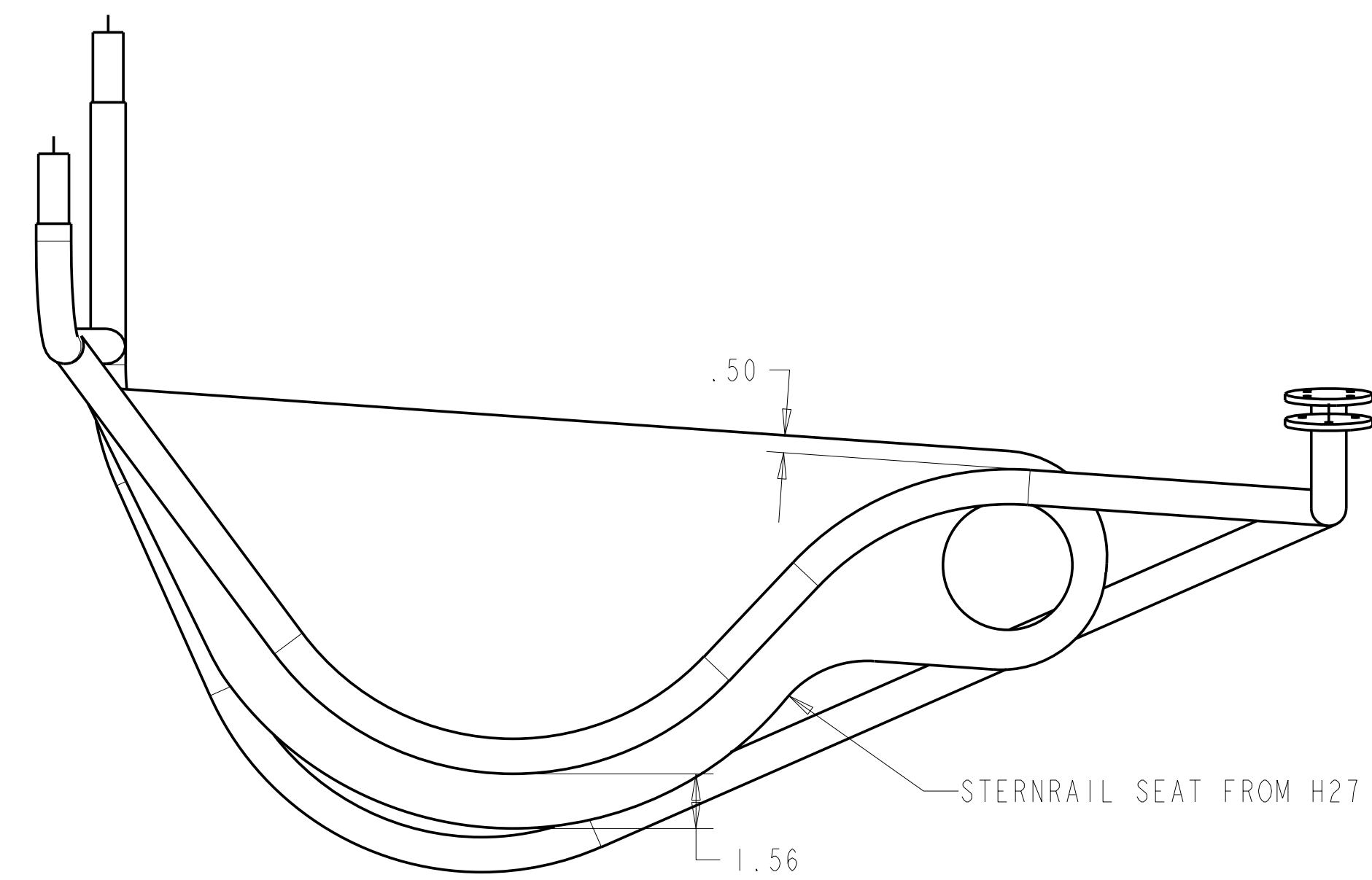
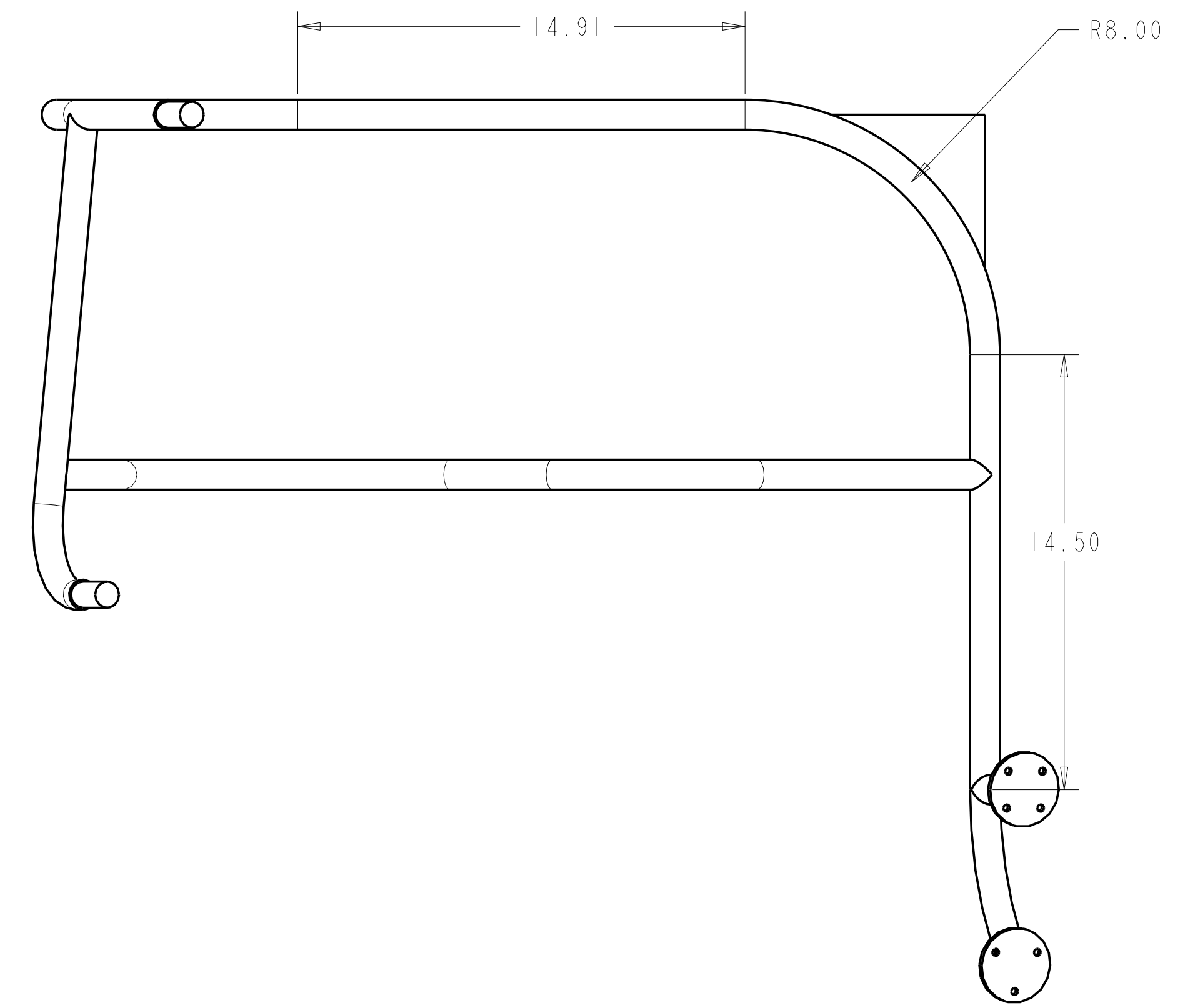
DRAWN BY: JTM	DATE: 18-Oct-04	SHEET: 1	OF: 2
SCALE: 0.250	HUNTER PART NO.: TBD	REVISION:	DRAW # 30 STERNRAIL

SYMBOL	REVISIONS	DATE	ENG

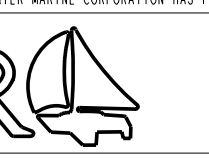
"J-BAR" BEND DIMENSIONS



UPPER RAIL TO MOUNTING LEG BEND



PROPRIETARY INFORMATION: THIS DRAWING CONTAINS INFORMATION FOR WHICH HUNTER MARINE CORPORATION HAS PROPRIETARY RIGHTS

HUNTER  **30**

DRAWING TITLE: **STERNRAIL SEAT TUBING**

DRAWN BY: **JTM** DATE: **28-Oct-04** SHEET: **2** OF **2**

SCALE: **0.250** HUNTER PART NO.: **TBD** REVISION: **30 STERNRAIL**