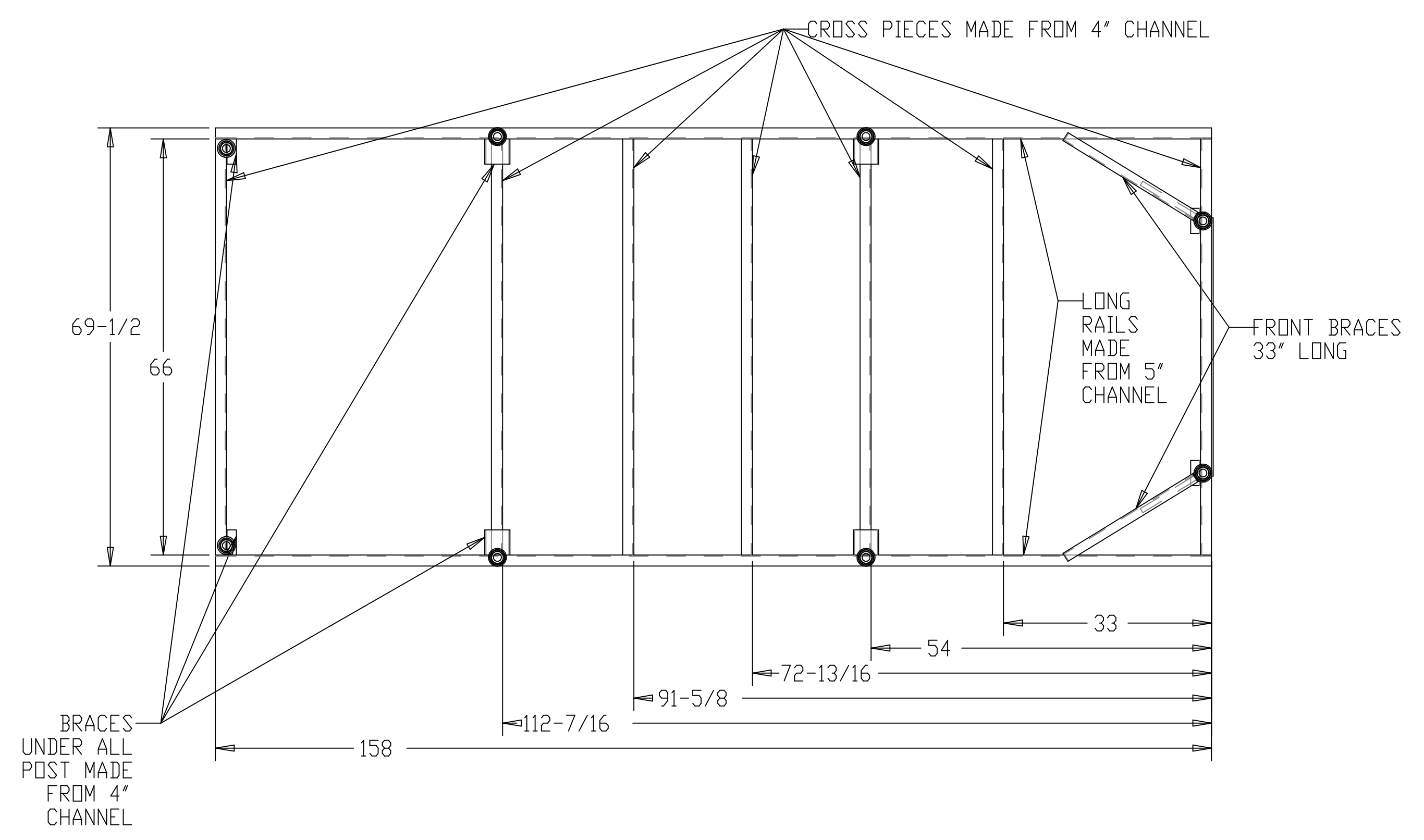
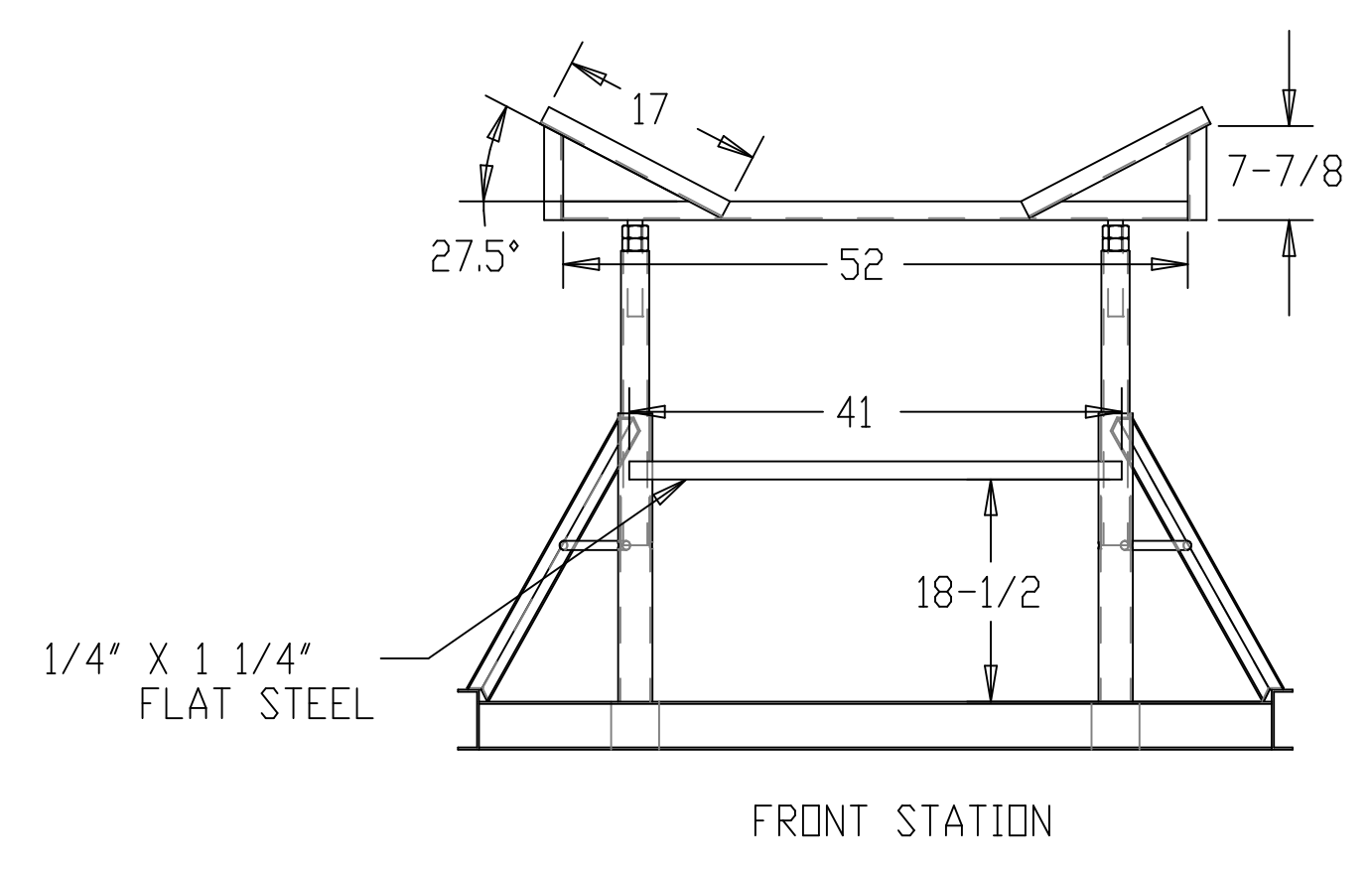
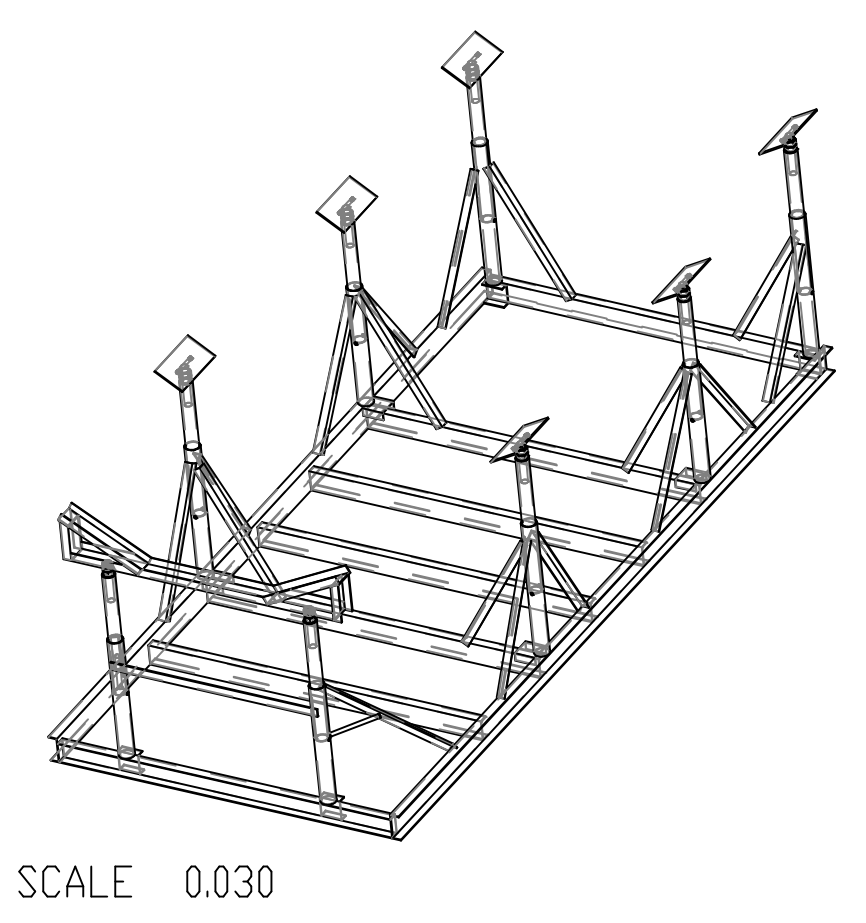
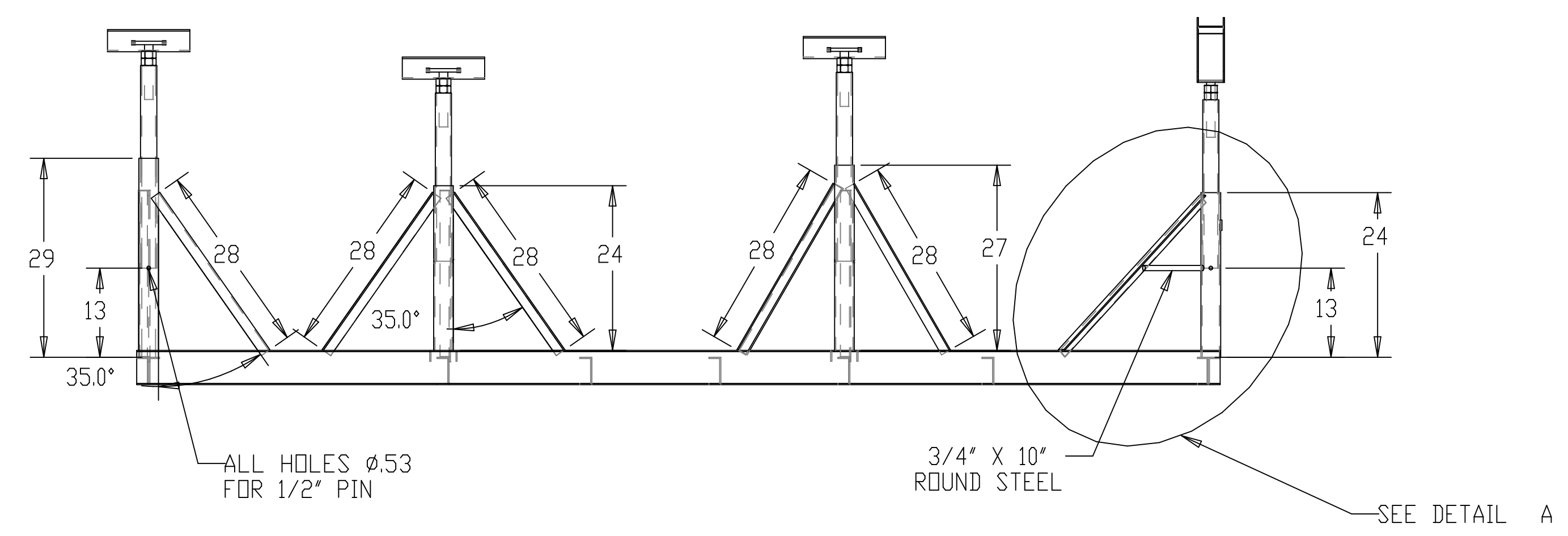
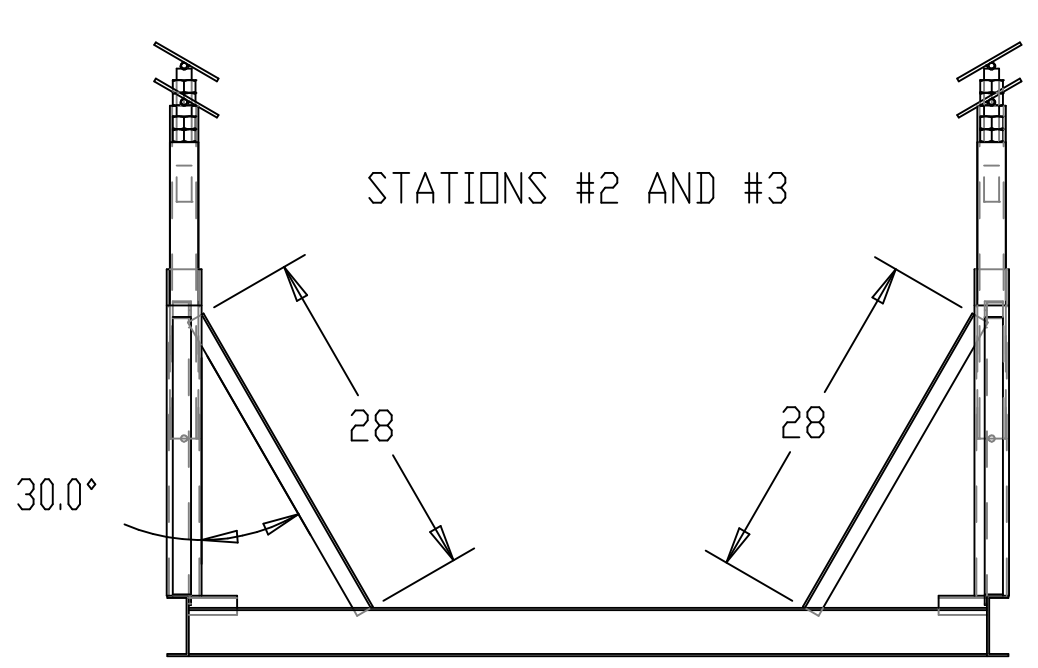
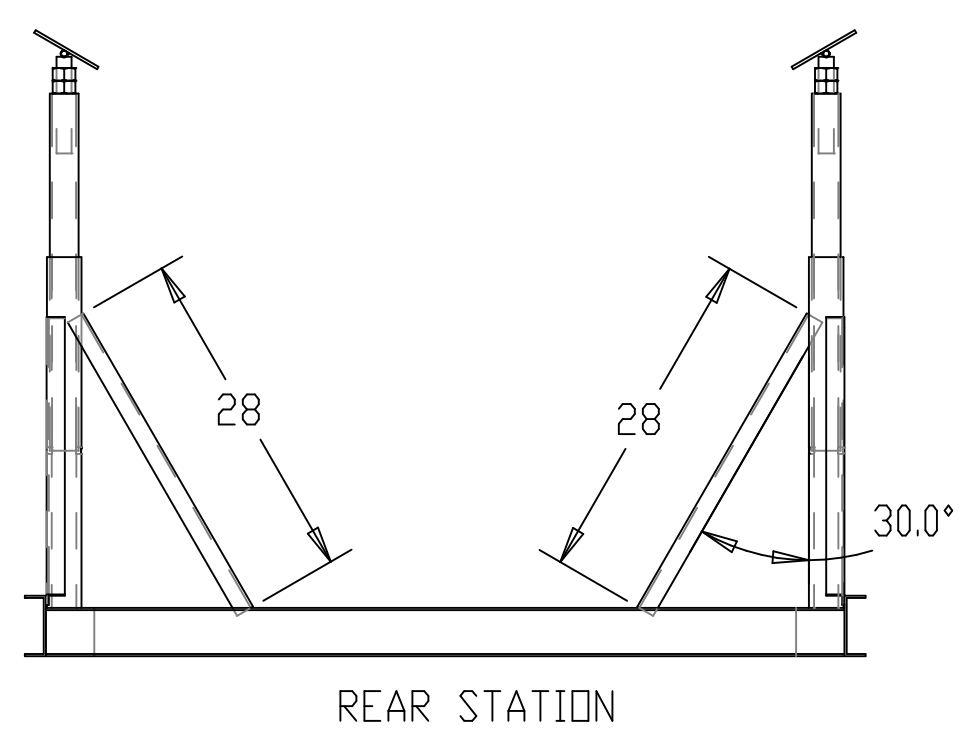
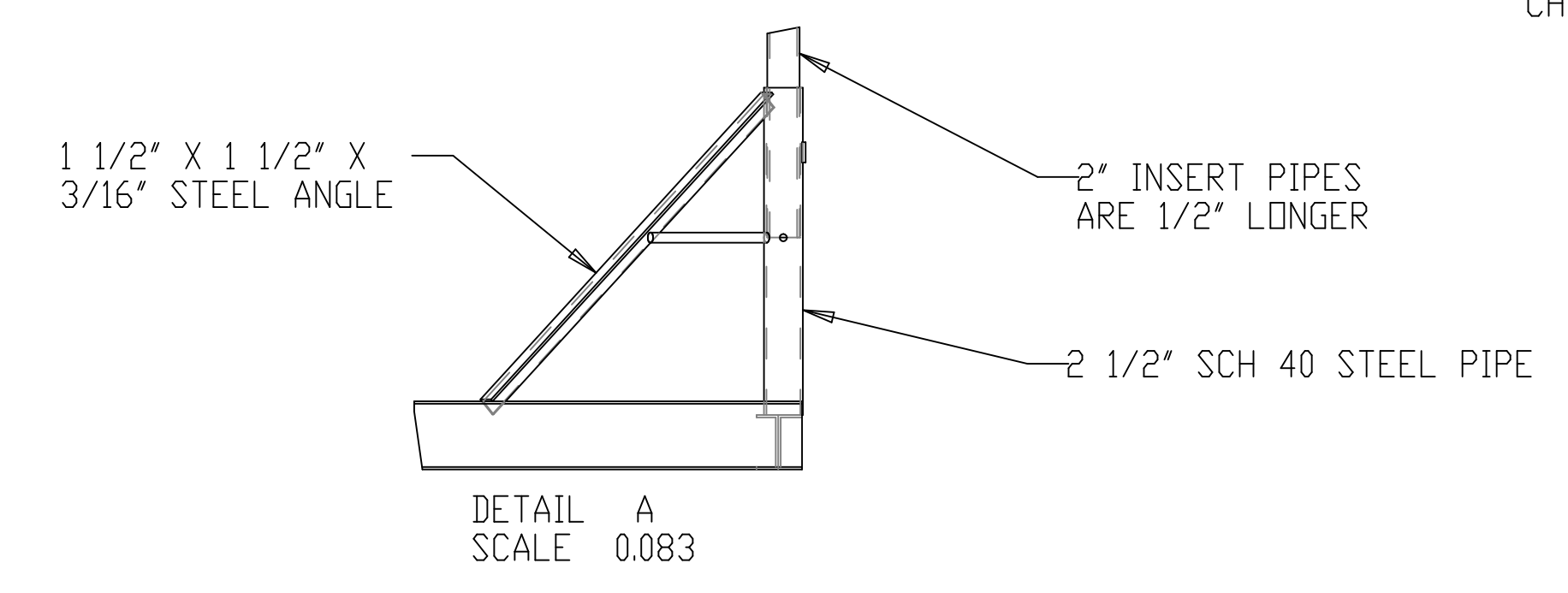
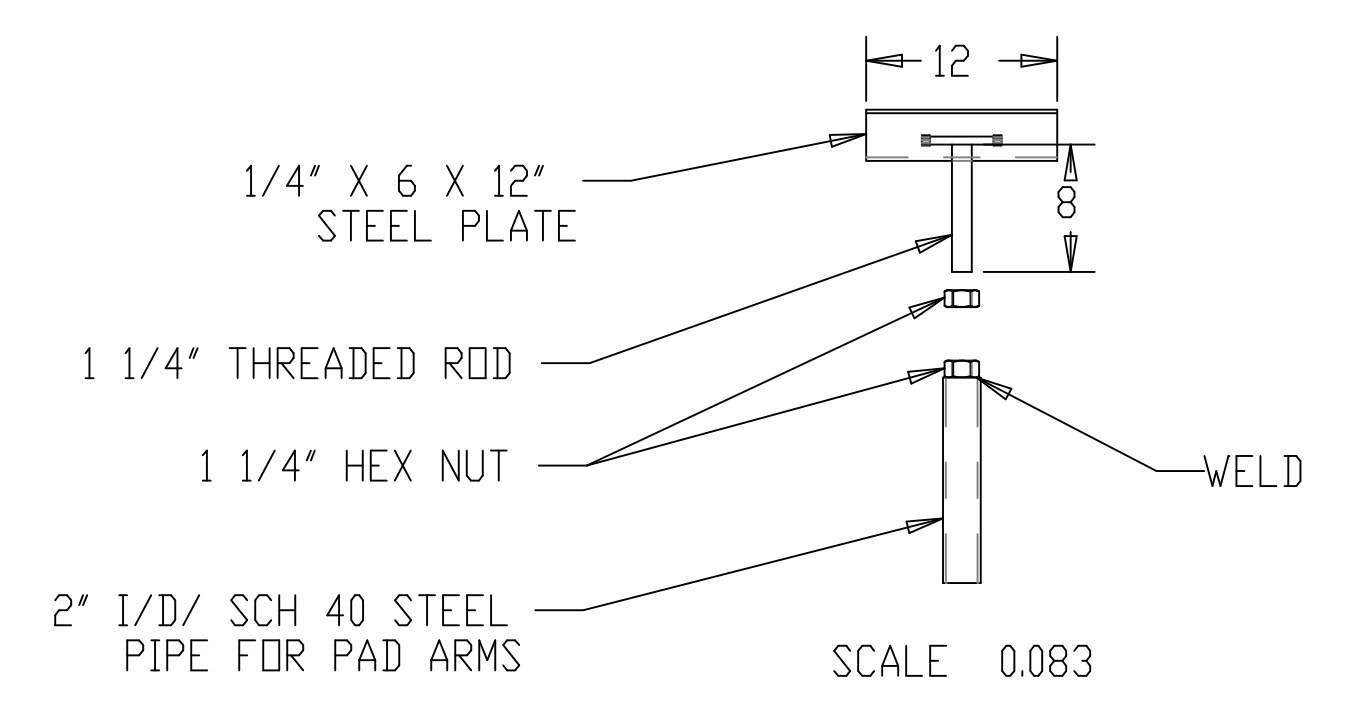


SYMBOL	REVISIONS	DATE	ENG
A	ORIGINAL ISSUE	8/20/04	AFF



ADJUSTABLE PAD SUPPORT

TYPICAL PAD SUPPORT BRACE



- MATERIALS:
- 5" X .19" X 1.75" STEEL CHANNEL
 - 4" X .18" X 1.58" STEEL CHANNEL
 - 1 1/2" X 1 1/2" X 3/16" STEEL ANGLE
 - 2" I.D. SCH 40 STEEL TUBE
 - 2 1/2" I.D. SCH 40 STEEL TUBE
 - 1/4" X 1 1/4" FLAT STEEL
 - 3/4" DIA. STEEL ROD

PROPRIETARY INFORMATION THIS DRAWING CONTAINS INFORMATION FOR WHICH HUNTER WARE CORPORATION HAS PROPRIETARY RIGHTS.

HUNTER 30

DRAWING TITLE: 30 SHIPPING CRADLE

DRAWN BY: AFF DATE: 8-20-04 SHEET 1 OF 1

SCALE: 0.083 HUNTER PART NO. TBD REVISION: 1 DRAW # 30 SHIPPING CRADLE