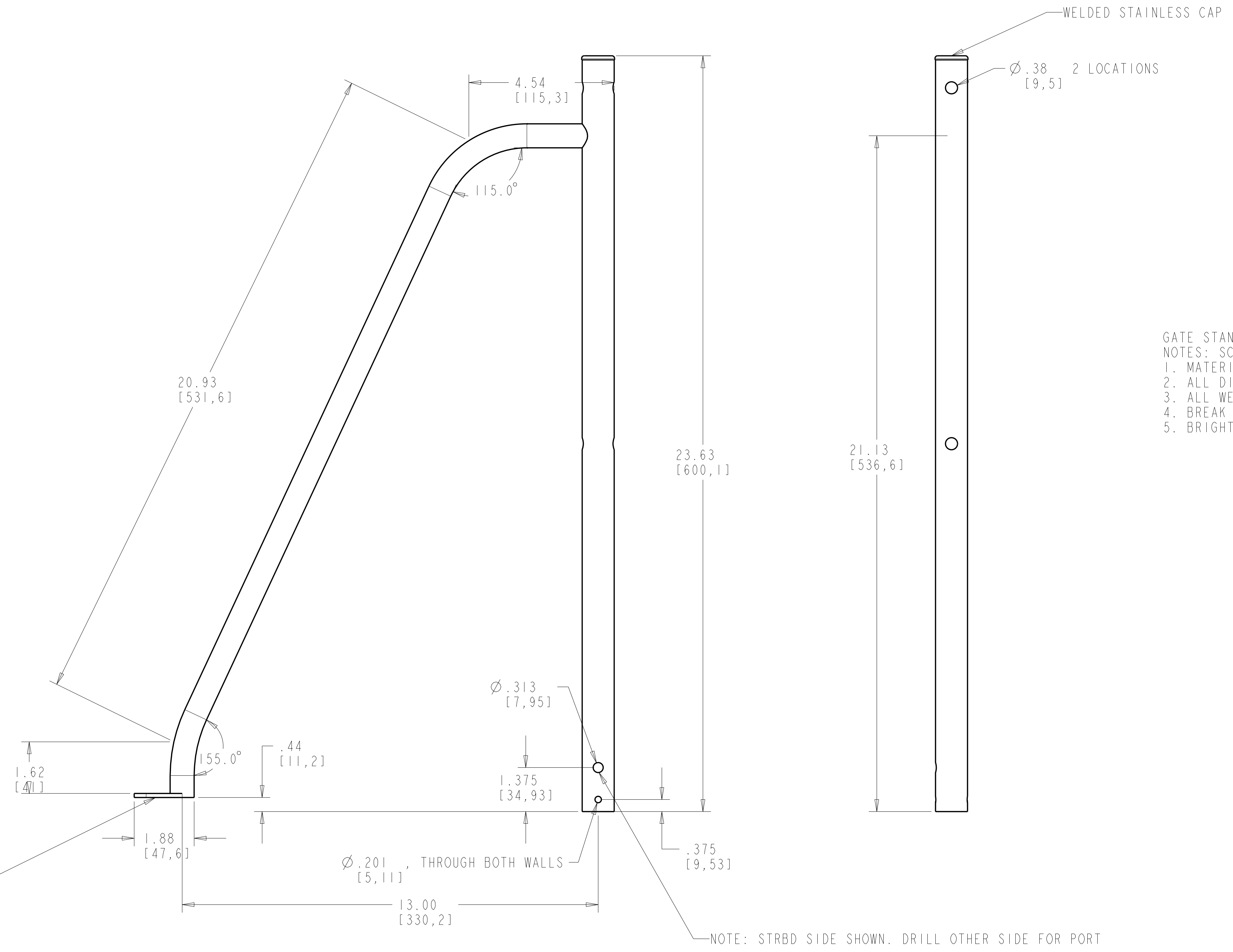
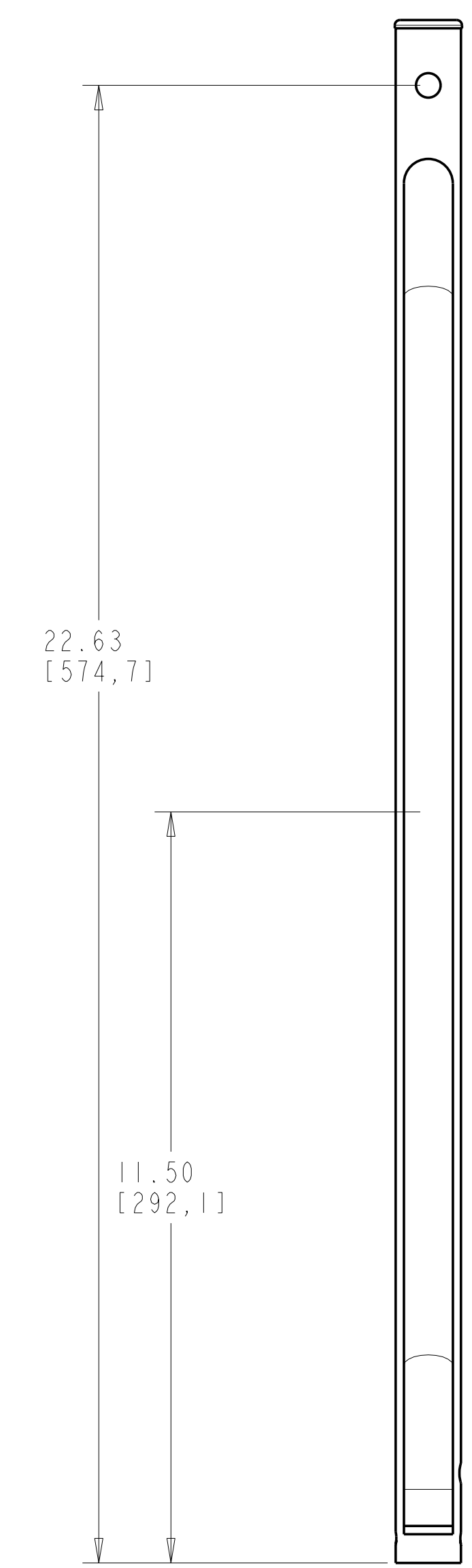
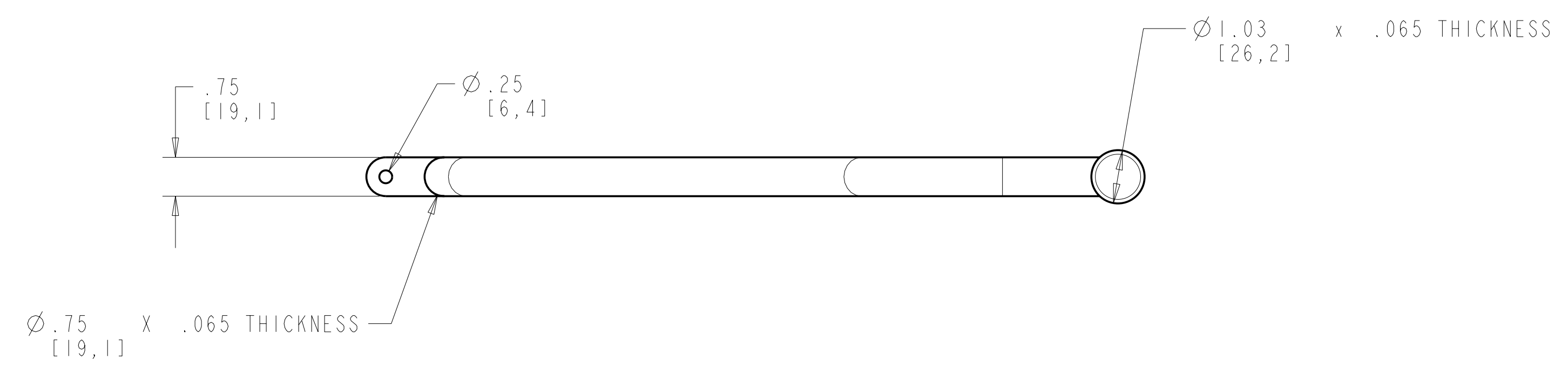


SYMBOL	REVISIONS	DATE	ENG
A	ORIGINAL ISSUE		



CUT .75" FROM COMMON STANCHION GATE FOOT

- GATE STANCHION
 NOTES: SCALE=0.500
 1. MATERIAL: 304 STAINLESS STEEL
 2. ALL DIMENSIONS ARE INCHES AND DEGREES
 3. ALL WELDS TO MEET AWS STANDARDS.
 4. BREAK AND DEBURR ALL EDGES
 5. BRIGHT POLISH AFTER FABRICATION

PROPRIETARY INFORMATION: THIS DRAWING CONTAINS INFORMATION FOR WHICH HUNTER MARINE CORPORATION HAS PROPRIETARY RIGHTS

HUNTER 30

DRAWING TITLE: **GATE STANCHION**

DRAWN BY: JTM DATE: 05-Mar-04 SHEET 1 OF 1

SCALE: 0500 HUNTER PART NO. T80 REVISION: DRAW 1 STANCHION GATE 30 2LINE