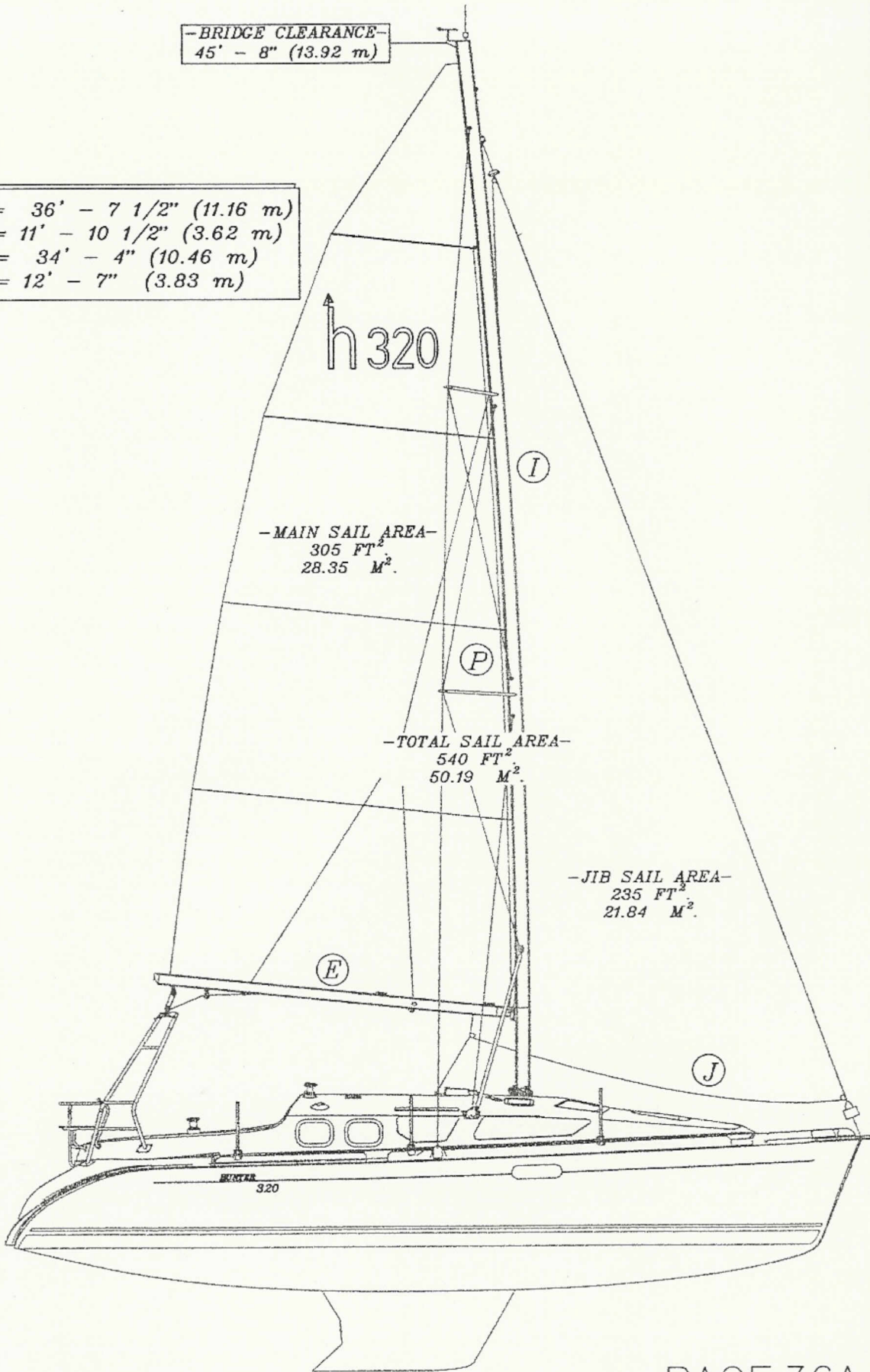


-BRIDGE CLEARANCE-
45' - 8" (13.92 m)

I= 36' - 7 1/2" (11.16 m)
J= 11' - 10 1/2" (3.62 m)
P= 34' - 4" (10.46 m)
E= 12' - 7" (3.83 m)



FOR COMPLETE SALES INFORMATION FOR ALL HUNTER BOATS, SEE PUBLICATIONS
HUNTER

H320 STANDARD SAIL PLAN	
DRAWING NO. 320B036A	REVISION NO. NONE
SHEET NO. ENGINEERING DEPT.	DATE 10/29/99