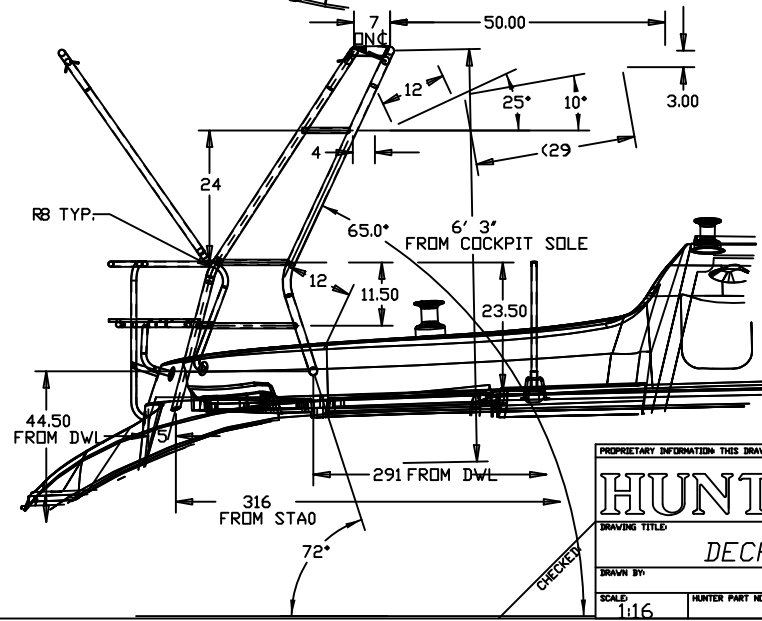
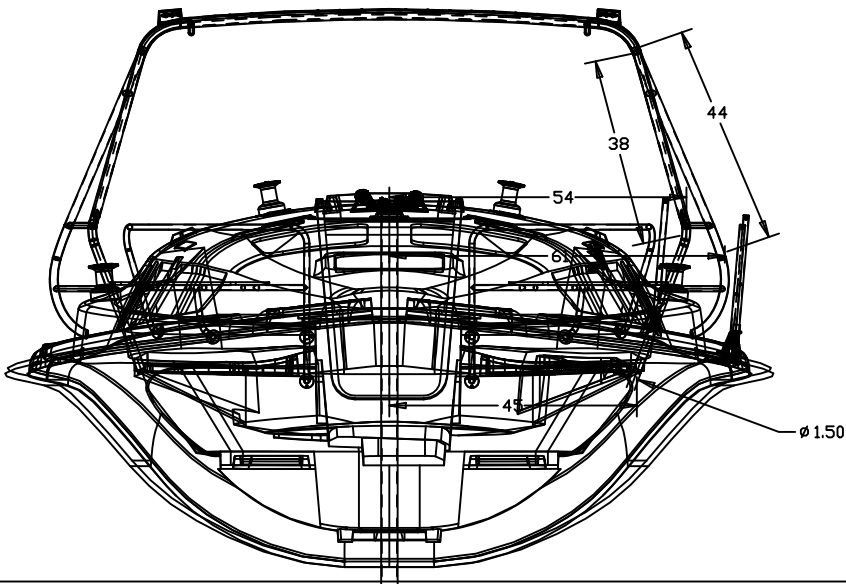
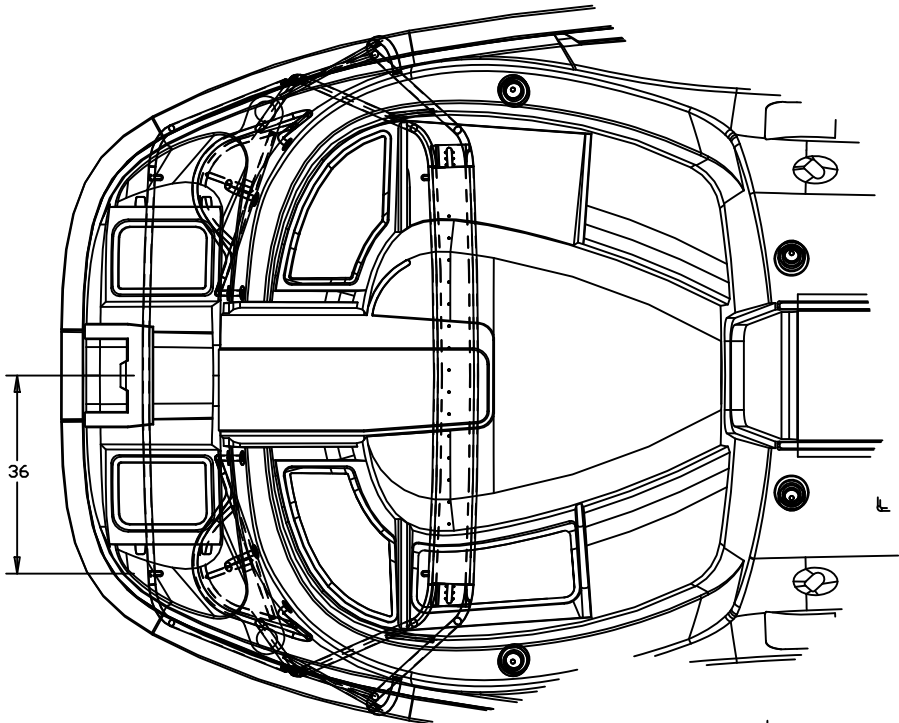
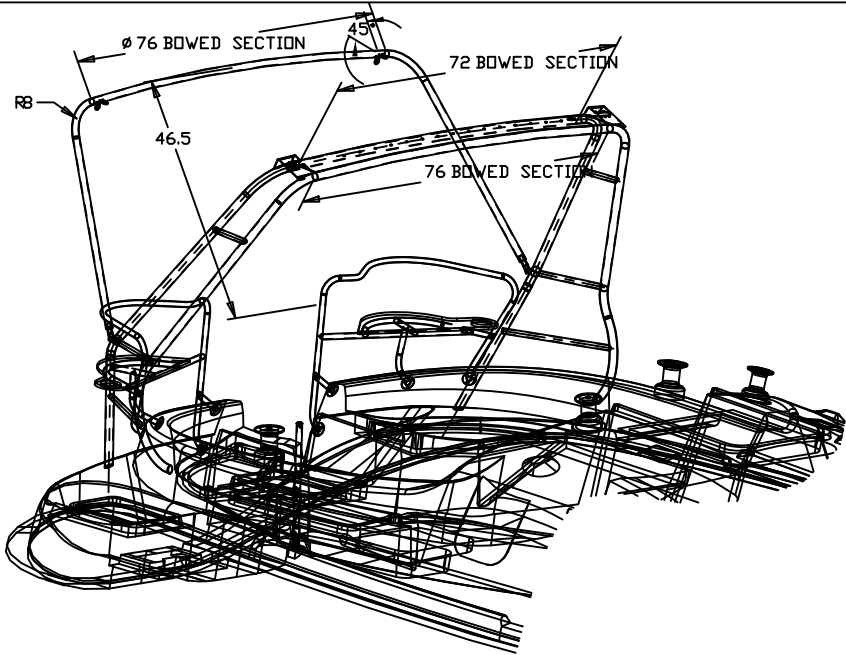


SYMBOL	REVISIONS	DATE	ENG



PROPRIETARY INFORMATION THIS DRAWING CONTAINS INFORMATION OF HUNTER WHICH IS THE PROPRIETARY RIGHTS OF HUNTER.

HUNTER 320

DRAWING TITLE: DECK ASSEMBLY

DRAWN BY: _____ DATE: 21-Oct-99 SHEET 1 OF 1

SCALE: 1:16 HUNTER PART NO. _____ REVISION _____ DRAW # 32020020

CHECKED: _____