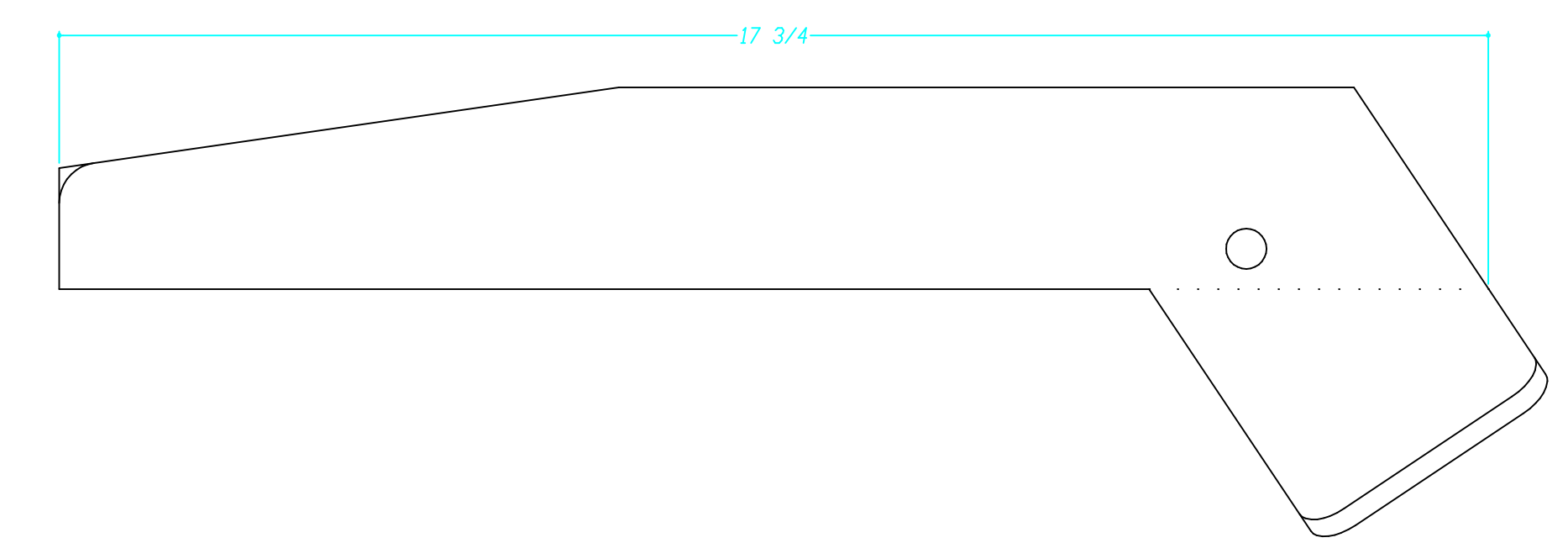
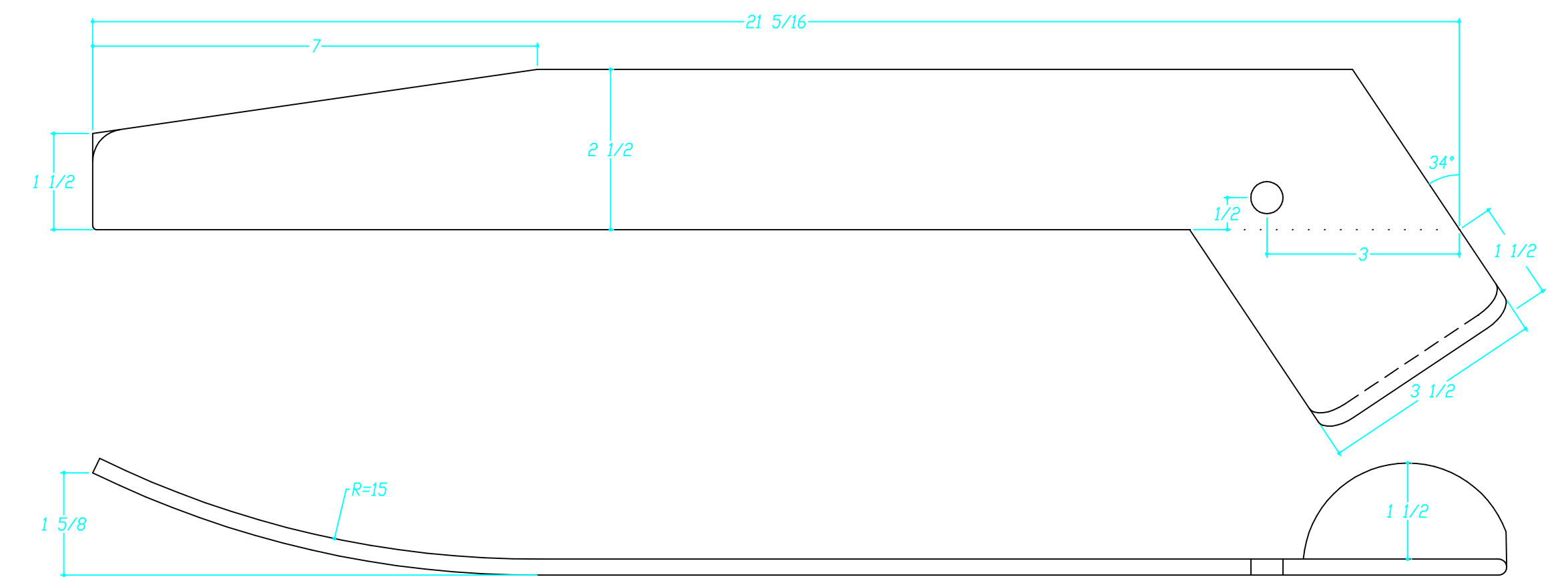
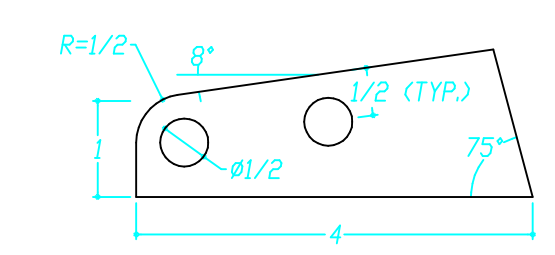
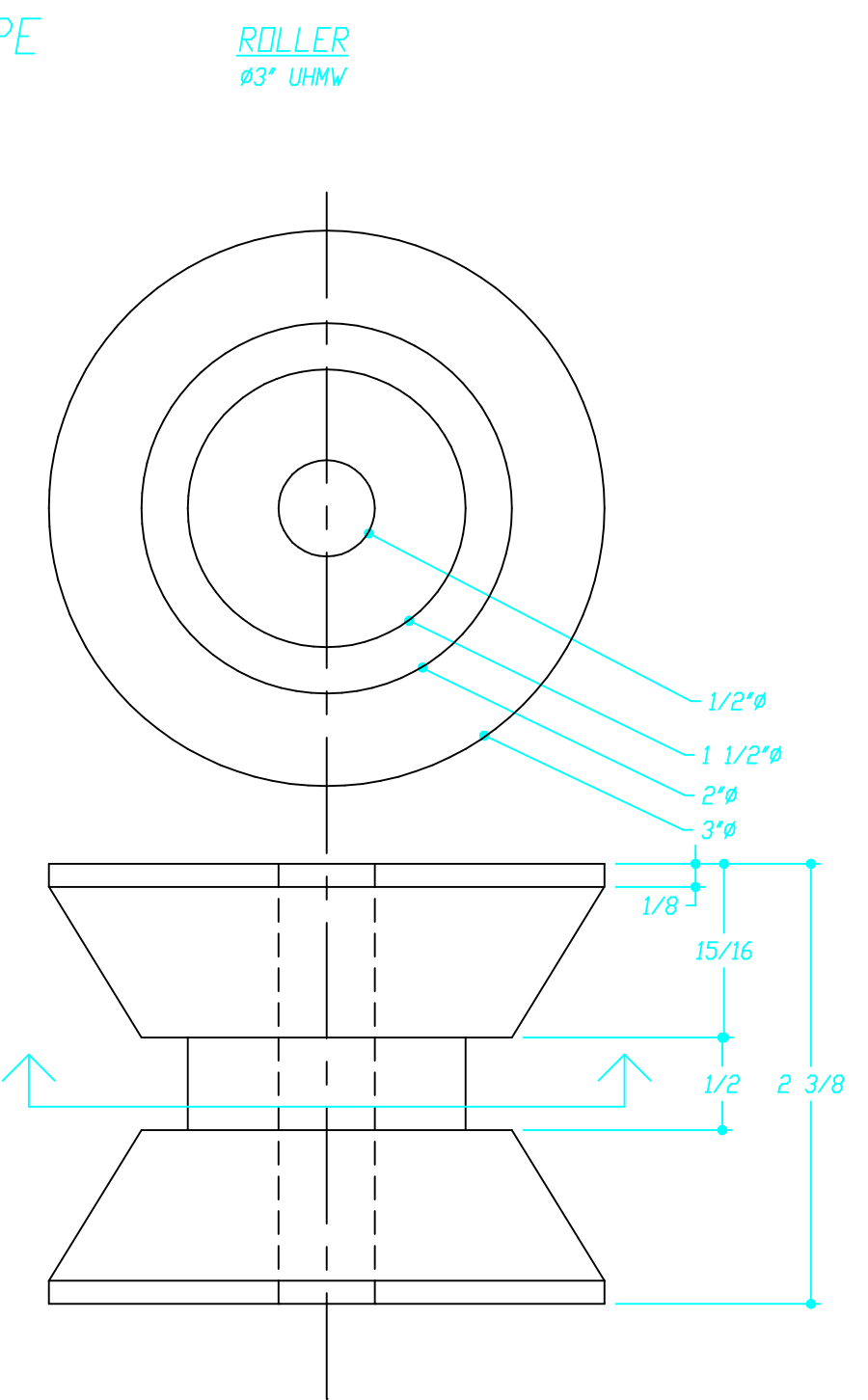


**NOTES:**  
 1. ROUND ALL EDGES IN CONTACT WITH ROPE CAREFULLY, TO AVOID CHAFE.  
 2. POLISH ALL VISIBLE SURFACES.  
 3. PLATES SHOWN AT 1/2 SCALE FOR DIM.  
 4. TO FIT US ANCHOR 22 LBS.

#1/2" SS PIN  
 TO BE SECURED WITH  
 RING OR COTTER PIN.



5-15-20		DATE		PROPRIETARY INFORMATION This document discloses information for HUNTER MARINE USA, Inc. has proprietary rights.			
N/A		REVISONS		DO NOT SCALE		TOLERANCES UNLESS OTHERWISE SPECIFIED	
N/A		1		FRACTIONAL: ± 1/16"		DRAWING TITLE:	
N/A		2		2 PLACE DECIMAL: ± N/A		V32 BOW ROLLER	
N/A		3		3 PLACE DECIMAL: ± N/A		PAPER SIZE: D	
N/A		4		4 PLACE DECIMAL: ± N/A		DRAWN BY: D.W.	
N/A		5		ANGULAR: ± 1°		DATE: 12-16-91	
N/A		6		BREAK ALL SHARP EDGES: SEGBAR		SCALE: 1:1	
N/A		7		FINISH: POLISH W. VISIBILE		PLANT SCALE: 1	
N/A		8		HUNTER PART NO. PR 3208		DRAWING NO. V32-D-2019	