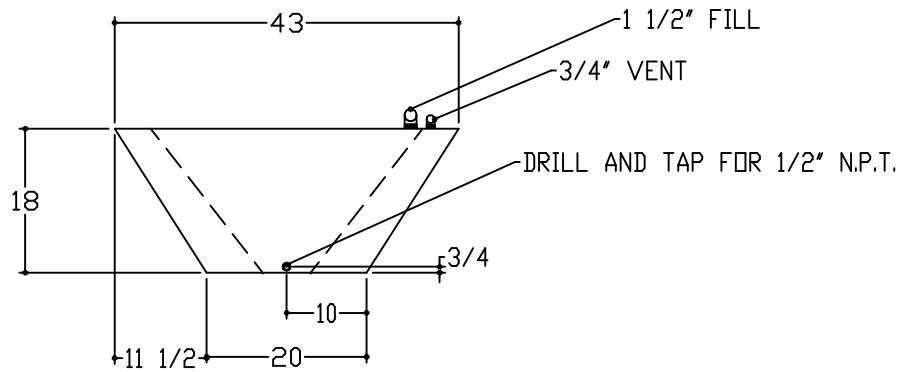
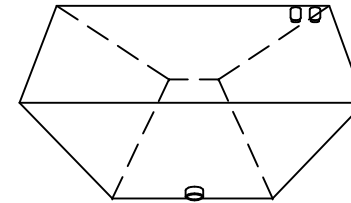
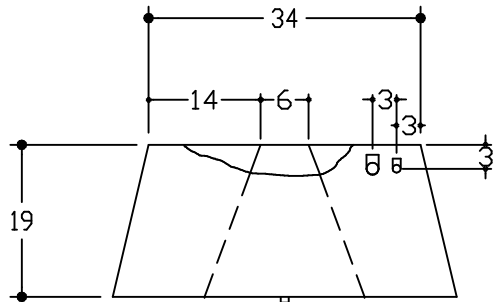


REVISIONS:

A: DRAWING NUMBER WAS JD020004.  
 ADDED FILL, DRAIN, AND VENT  
 SIZES. PPR - 24.OCT.89



NOTES:

1. MATERIAL: 6061-T6 OR 5456 ALUMINUM, OR U.S.C.G. APPROVED PLASTIC.
2. CAPACITY: APPROX. 37 GAL.
3. BAFFLE TANK IN ACCORD. W/U.S.C.G. REG'S.

HUNTER MARINE CORP. ALACHUA, FL.			
DRAWING TITLE FRESH WATER TANK			
CHECKED	DRAWN BY PETE	DATE 25.APRIL.88	SCALE 1"=1'-0"
MAT'L		DRAWING NO. H30-A-1900	