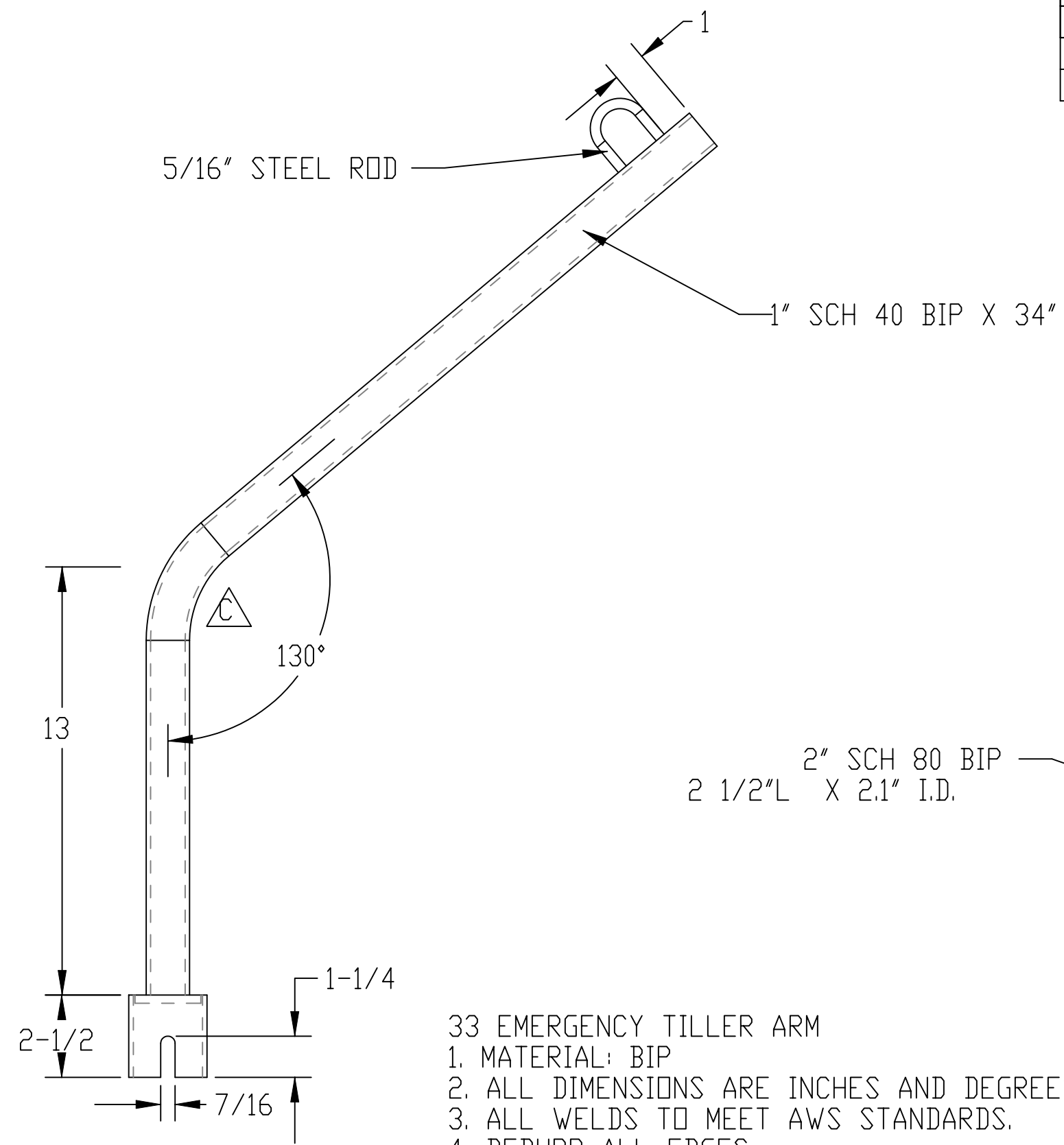


SYMBOL	REVISIONS	DATE	ENG
A	ORIGINAL ISSUE	05/02/05	SMV
B	CHANGE TO SLOT STYLE	1/3/06	BMB
C	CHANGE STYLE TO BENT HANDLE	12-May-06	AFF




2" SCH 80 BIP  
2 1/2"L X 2.1" I.D.

1/4" PLATE X Ø2"

SCALE 0.188

- 33 EMERGENCY TILLER ARM
1. MATERIAL: BIP
  2. ALL DIMENSIONS ARE INCHES AND DEGREES
  3. ALL WELDS TO MEET AWS STANDARDS.
  4. DEBURR ALL EDGES
  5. QTY...1 PER BOAT

PROPRIETARY INFORMATION: THIS DRAWING CONTAINS INFORMATION FOR WHICH HUNTER MARINE CORPORATION HAS PROPRIETARY RIGHTS.



H U N T E R 33

DRAWING TITLE:  
AQUAMET STOCK EMERGENCY TILLER

DRAWN BY: SMV      DATE: 05/02/05      SHEET 1 OF 1

SCALE: 0.250      HUNTER PART NO. -      REVISION -      DRAW # 33AMET\_EMERGENCY\_TILLER

CHECKED