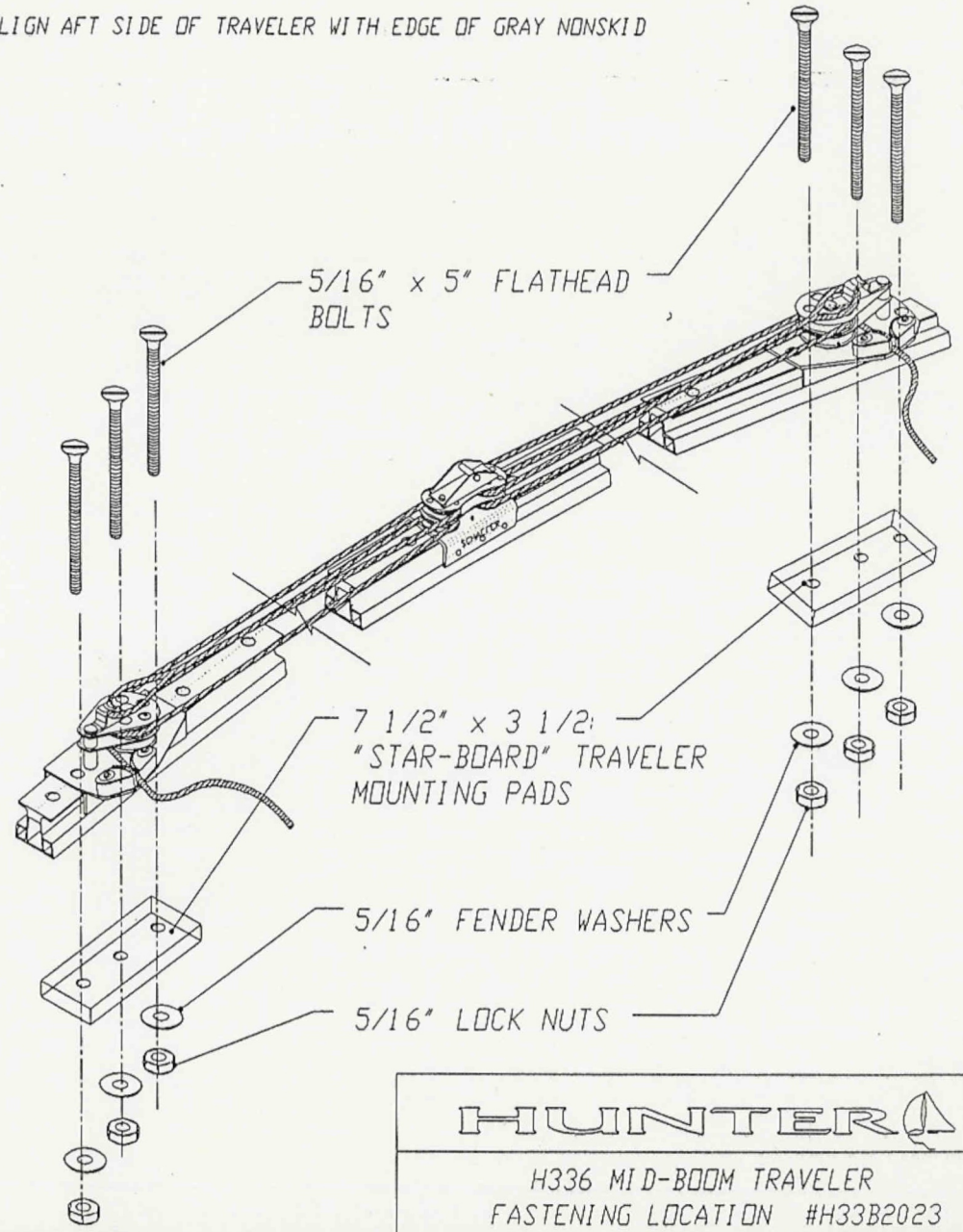


DECK PLAN -  
MID-BOOM TRAVELER LOCATION

ALIGN AFT SIDE OF TRAVELER WITH EDGE OF GRAY NONSKID



5/16" x 5" FLATHEAD BOLTS

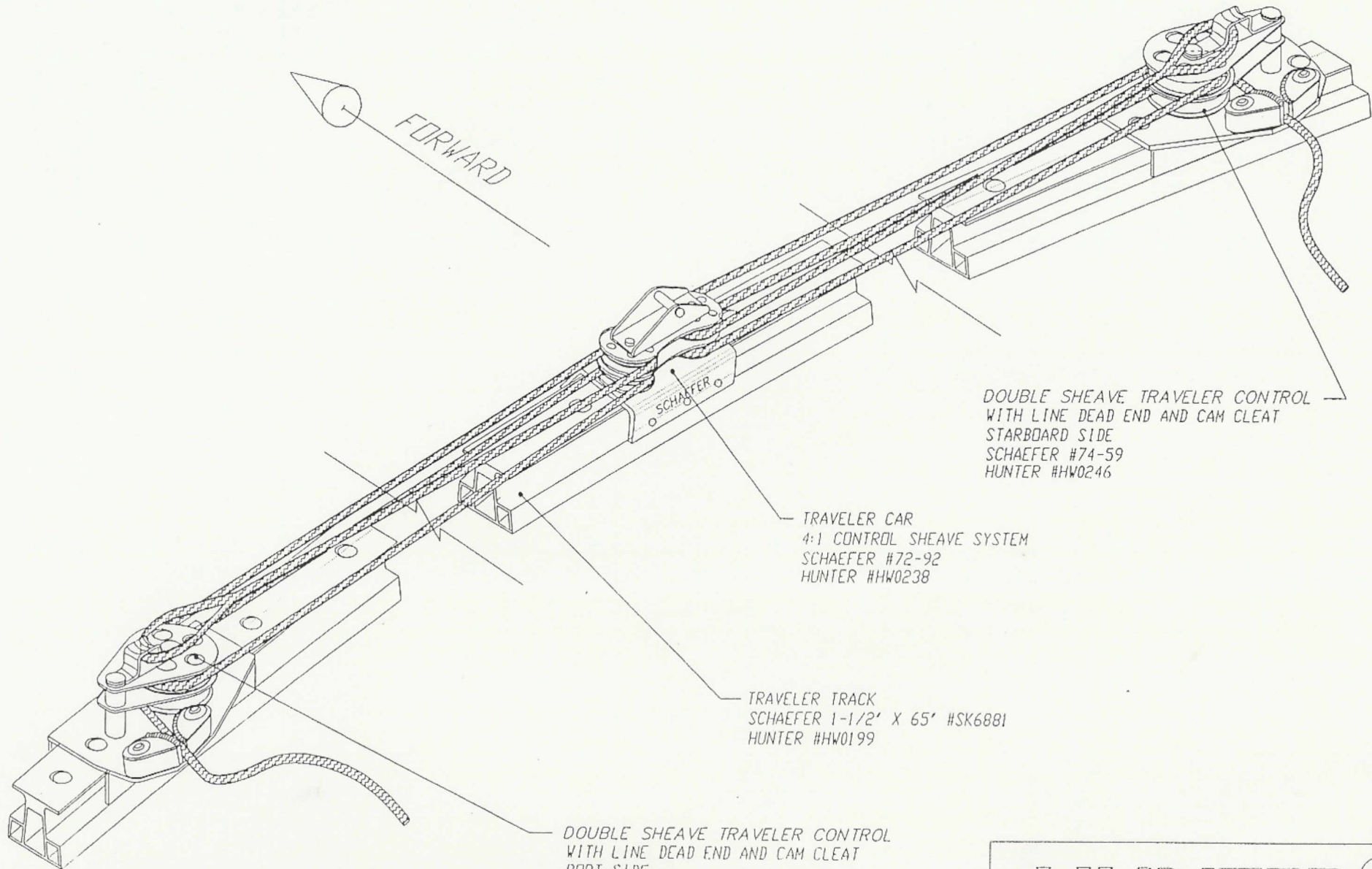
7 1/2" x 3 1/2" "STAR-BOARD" TRAVELER MOUNTING PADS

5/16" FENDER WASHERS

5/16" LOCK NUTS

HUNTER 

H336 MID-BOOM TRAVELER  
FASTENING LOCATION #H33B2023



FORWARD

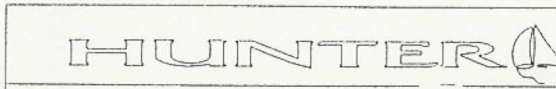
SCHAEFER

DOUBLE SHEAVE TRAVELER CONTROL  
WITH LINE DEAD END AND CAM CLEAT  
STARBOARD SIDE  
SCHAEFER #74-59  
HUNTER #HW0246

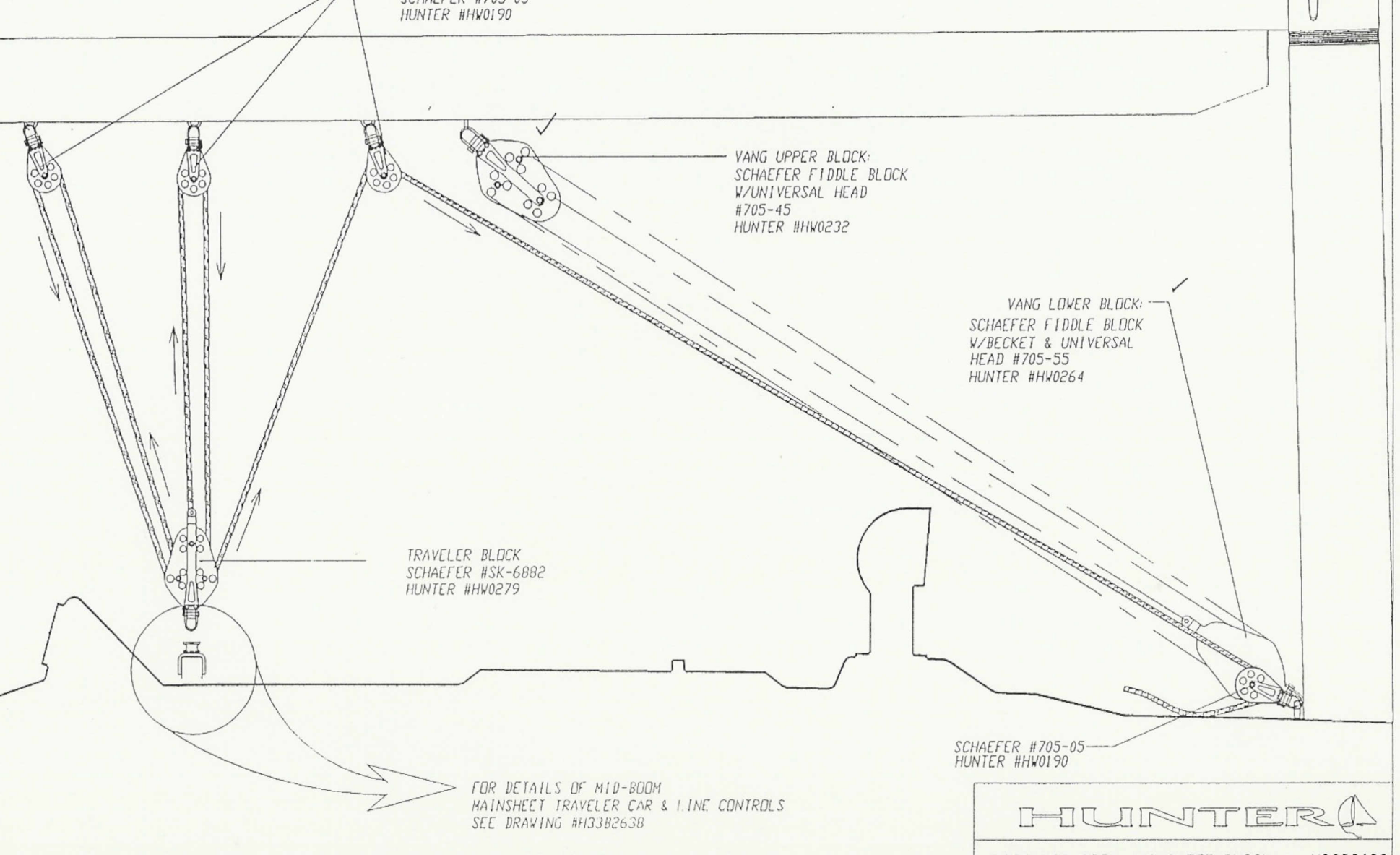
TRAVELER CAR  
4:1 CONTROL SHEAVE SYSTEM  
SCHAEFER #72-92  
HUNTER #HW0238

TRAVELER TRACK  
SCHAEFER 1-1/2' X 65' #SK6881  
HUNTER #HW0199

DOUBLE SHEAVE TRAVELER CONTROL  
WITH LINE DEAD END AND CAM CLEAT  
PORT SIDE  
SCHAEFER #74-58  
HUNTER #HW0245



SCHAEFER #705-05  
HUNTER #HW0190



VANG UPPER BLOCK:  
SCHAEFER FIDDLE BLOCK  
W/UNIVERSAL HEAD  
#705-45  
HUNTER #HW0232

VANG LOWER BLOCK:  
SCHAEFER FIDDLE BLOCK  
W/BECKET & UNIVERSAL  
HEAD #705-55  
HUNTER #HW0264

TRAVELER BLOCK  
SCHAEFER #SK-6882  
HUNTER #HW0279

SCHAEFER #705-05  
HUNTER #HW0190

FOR DETAILS OF MID-BOOM  
MANSHEET TRAVELER CAR & L.I.N.E. CONTRLS  
SEE DRAWING #H33B2638

HUNTER 

1. Hw2519 # 30 cst winch
2. HW1072 Bulls eye
3. HW0199 Travler Bar
4. HW0205 End Stops (2)
5. HW0238 Travler Car
6. HW0245 Control Block
7. HW0246 Control Block
8. Hw0279 BLOCK

PICKING LIST

000001 SAILBOAT 1995 MODEL HUNTER 336 - FACTORY CHECK OUT LIST

OPTION CODES: 1 1 2 2 3 1 2 2 1 2 2 1 1 1 1

HULL#-----TRAILER #-----DATE  
 OUTBOARD MOTOR NUMBER  
 KIT BUILDER SIGNATURE-----DATE  
 WORK LIFT DRIVER SIGNATURE-----DATE  
 SHIPPING OFFICE SIGNATURE-----DATE  
 ACCEPTED BY DEALER OR REP AS NOTED-----DATE  
 =====

STAGE 9 FINISH & LOOSE GEAR (CONT'D) PAGE: 2

SUBSECTION 6 (CONT'D)

LG0102	1.0000	EA	CORDSET MOLDED 50' #50PCM	300	E02070	N
LG0109	1.0000	EA	HORN, AIR, 11OZ CAN ALL MODELS	570	J03020	N
LG0135	1.0000	EA	COMPASS #HF72-S 28.5' 33.5' 35' 32'	570	E03220	N
LG0140	1.0000	EA	BOUYANT CUSHION #9351-01	570	J03020	N
LG0198	1.0000	EA	FLARE KIT, 3-R2 HAND HELD (3PER PACK)	500	J03020	N
LG0230 ✓	1.0000	EA	PROP 16 X 13 2-BLADE 1" BORE RH H-35.5	150	B03100	N
LG0315	1.0000	EA	ANCHOR #18S	570	I05020	N
LG0462	1.0000	EA	MANUAL, "BASIC CRUISING" H280/29.5/336	500	J03030	N
LG0475	1.0000	EA	WINDEX #15 - 28' AND UP	570	J03010	N
LG0561	1.0000	EA	OWNERS MANUAL H33	570	J03010	N
LG0710	1.0000	ST	SPINNAKER PKG, (SHEETS, HALYARD H336	890	I08100	N
PL0120	1.0000	EA	EMERGENCY STOPPER #1860-1010-3318)	250	J03020	N
RI0136	2.0000	EA	SHACKLE "D" 5/16" #RF618	500	C06030	N
RI0230	1.0000	EA	LANYARD, 1/4"LSX60" EYE SPL, HELM SEAT H336	500	C03340	N
RI0231	1.0000	EA	LANYARD, 1/4"LS 72" EYE SPLCE SWIM L. H336	500	C03400	N
RI0397	1.0000	UT	FURLER, #62-B, W/RIGG SCREW H336/35/5/37.	500	C06030	N
RI0448	1.0000	EA	BLOCK, #275 SPINNAKER H29.5/336	890	I05055	N
RI0448	1.0000	EA	BLOCK, #275 SPINNAKER H29.5/336	890	I08100	N
RI0507A	1.0000	EA	MAST ANCHOR LIGHT H-28.5 & H-33.5	888	E03075	N
RI0512-A	2.0000	EA	BLOCKS, REEF H40.5	500	I05030	N
RI0555	1.0000	EA	MAST, DOUBLE SPREADER, Z-501, H336	500	I03010	N
RI0557	1.0000	EA	BOOM, MID BOOM SHEETING, (H336 OPT)	890	I03010	N
RI0834	1.0000	ST	RIGGING, STANDING, DOUBLE SPREADER H336	500	I03040	N
RI0838	1.0000	ST	RIGGING, RUNNING, MID BOOM, H336 (OPT)	890	I05030	N
RI1503	1.0000	EA	DUTCHMAN, TYPE A W/WIRE(2)LINE H336	500	I05010	N
RI1523	1.0000	EA	GENOA, 110%, W/SUN SHIELD H336	500	I05010	N
RI1524	1.0000	EA	SAIL, MAINSAIL, DOUBLE SPRED, H336	500	I05010	N
RI1527	1.0000	EA	SAILCOVER, BLUE, H336	500	I05010	N

Mid boom sheeting requires this boom.