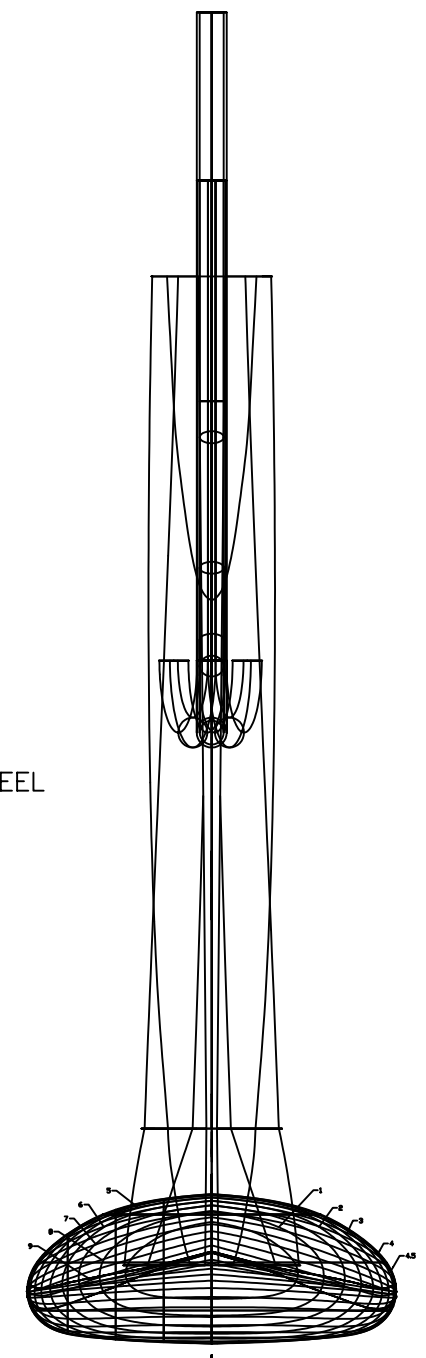
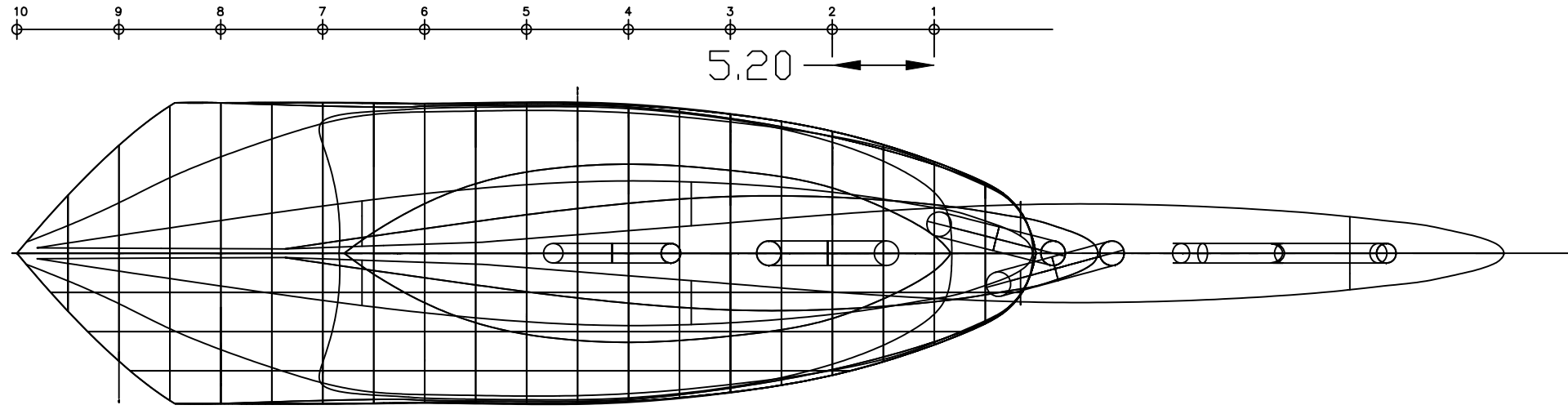


— NOTES —
 1 KEEL BOLT PATTERN SAME AS FOR SHOAL KEEL
 2 NO LIGHTENING VOIDS



A KEEL BOLT LENGTHS CHANGED TO AGREE WITH SHOAL KEEL		3/16/98	CB
SYMBOL	REVISIONS	DATE	NAME
<small>PROPRIETARY INFORMATION: This document discloses information for which HUNTER MARINE CORP. has proprietary rights.</small>			
<h1>HUNTER</h1>			
DRAWING TITLE:			
<h2>H340 DEEP KEEL</h2>			
DRAWING NO.	34010003	REVISION NO.	A
SHEET	1 OF 1	HUNTER PART NO.	N/A
DRAWN BY:	CB	CHECK'D BY:	
DATE:	6/26/96	DATE:	___/___/___
REV. NO.		PLOT SCALE:	SCALE:
		FULL	1 1/2" = 1'-0"

— DRAWING SUBMITALS —			
-----------------------	--	--	--