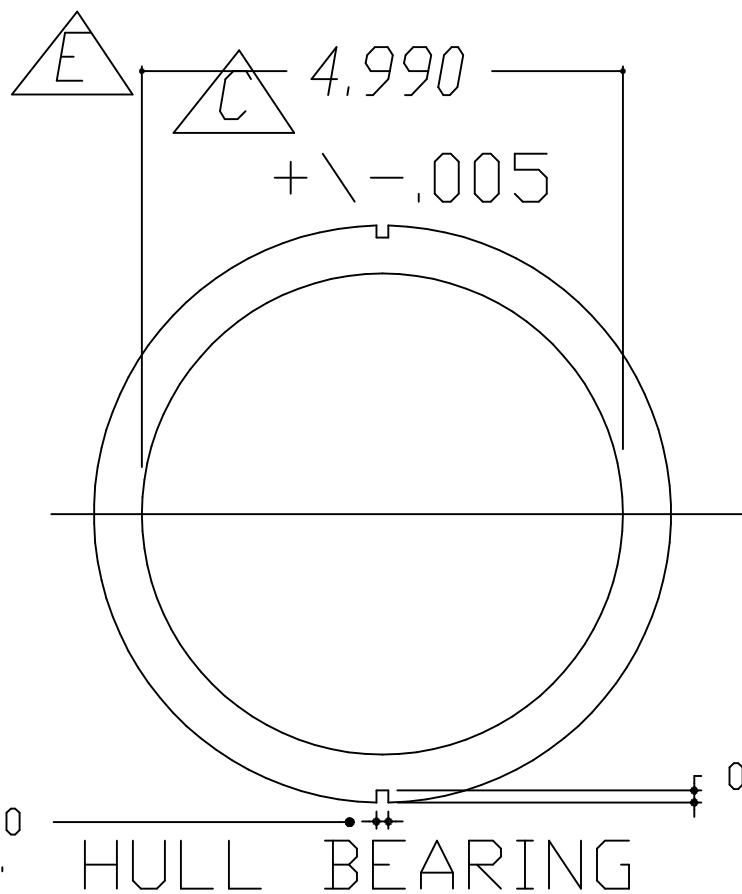
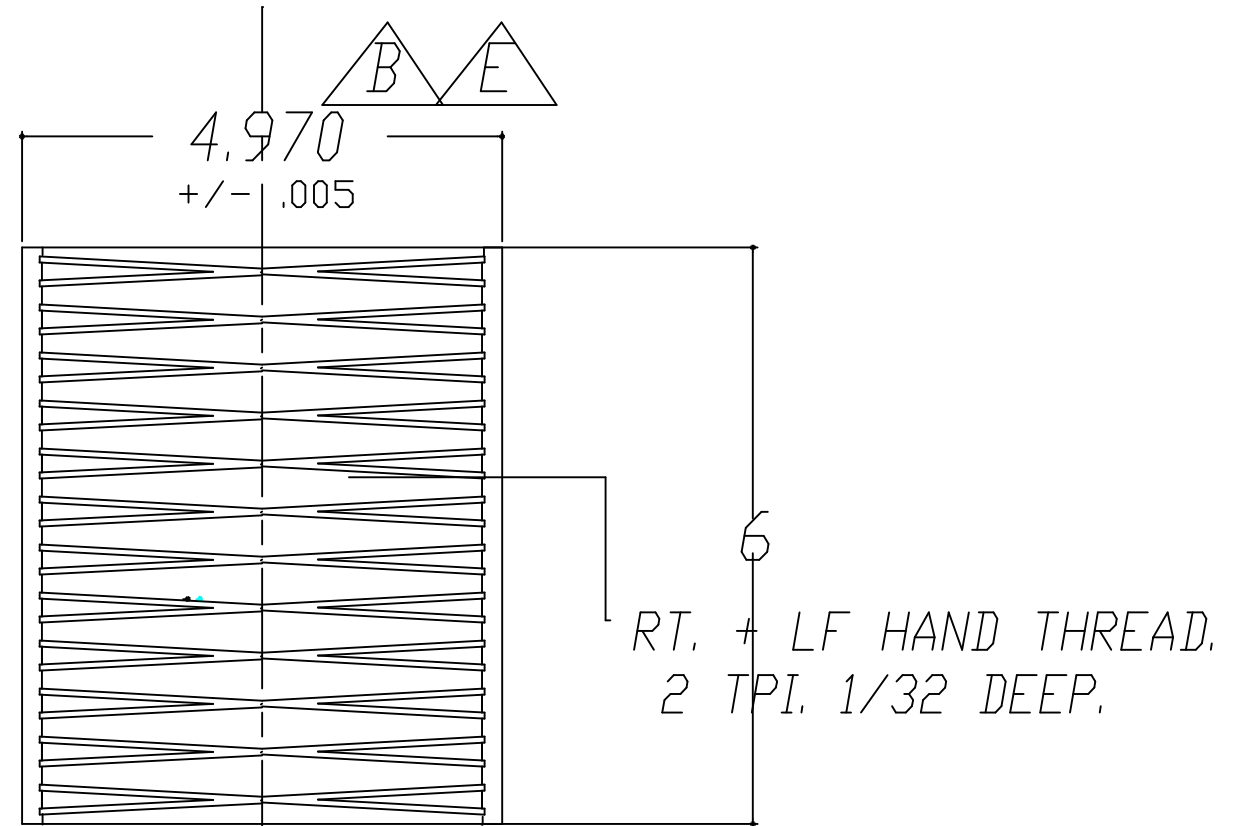
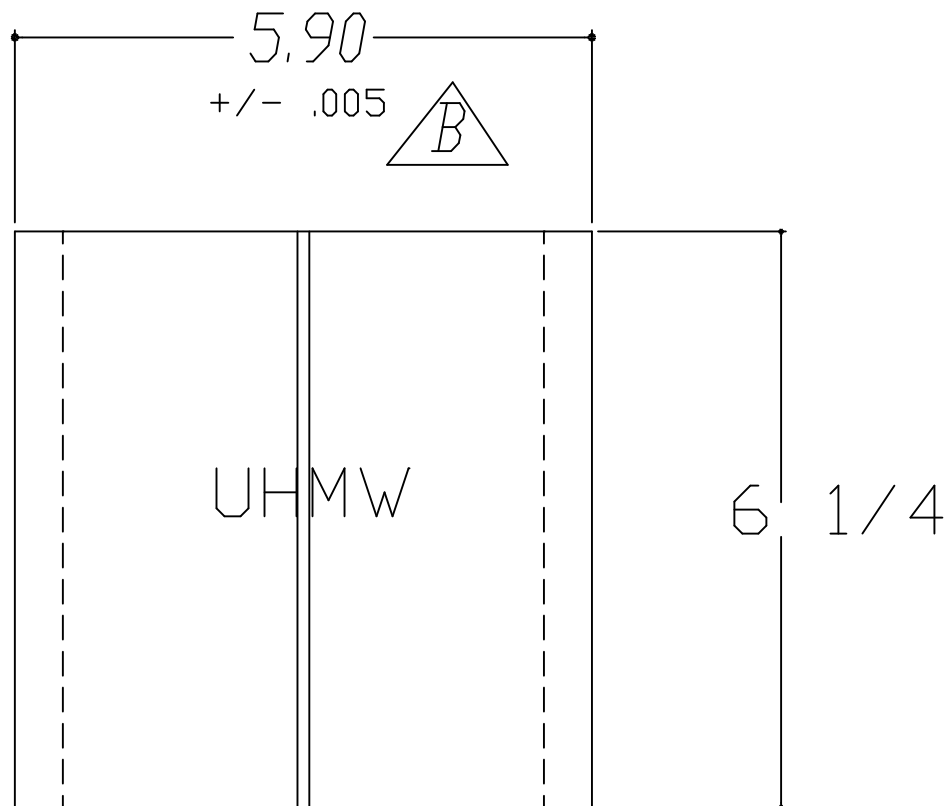


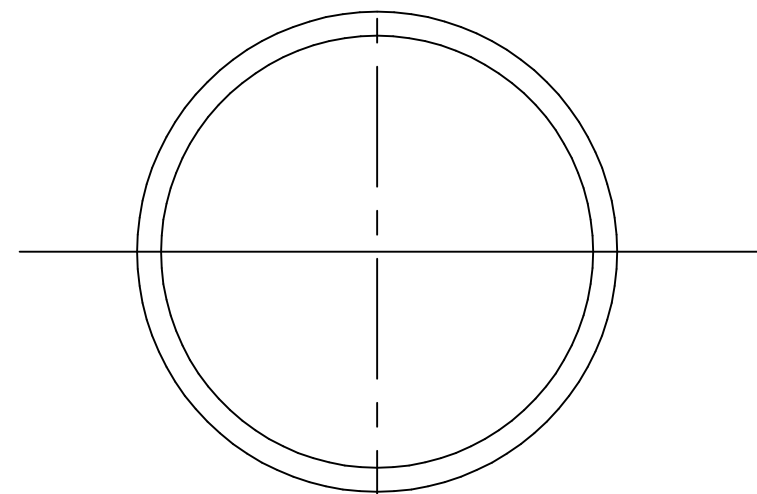
$\triangle E$ EFFECTIVE H 336 HULL# _____
33.5 HULL# _____

340 HULL# _____ $\triangle I$

$\circ C$



$\triangle E$ 5" od x .25 WALL S.S. TUBE SLEEVE
TURNED & POLISHED TO 4.970 O.D. (+/- .005)



TYP.

$\triangle K$ USE ON 33 : DATE; 05/02/03