

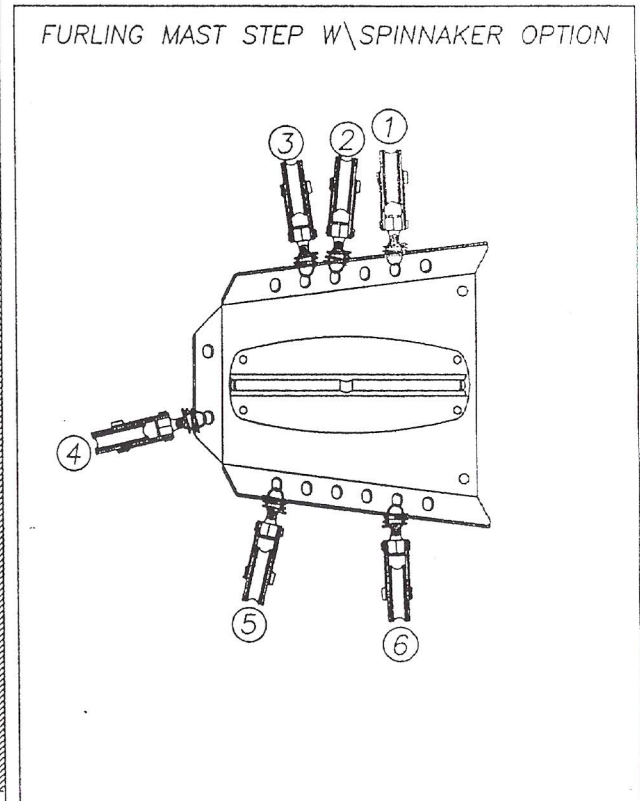
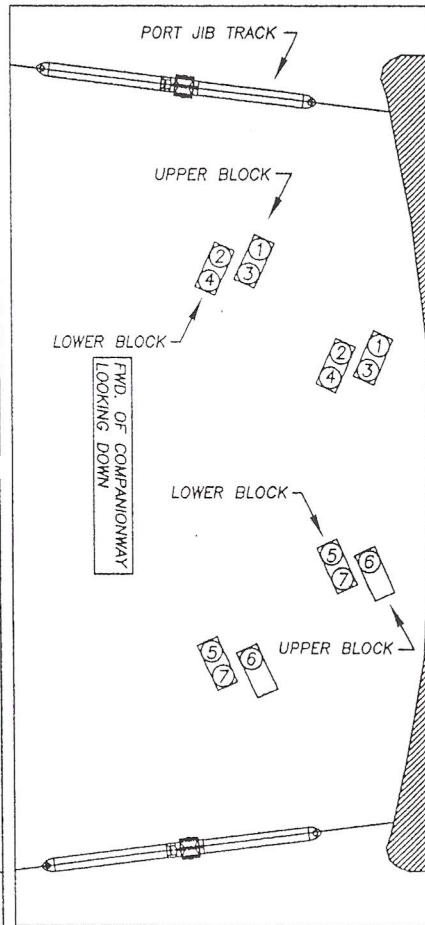
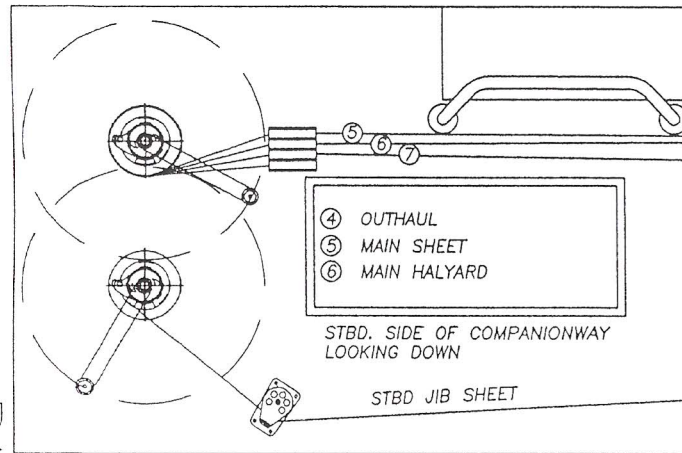
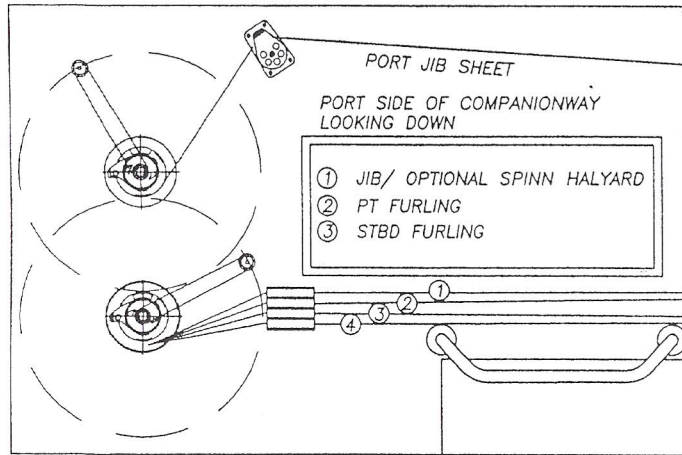
HUNTER

H-340 OPT. SPINN.  
DRAWING #3408054A

OPTIONAL SPINNAKER LAYOUT

ADDED AS OF 6/8/98

# SELDEN FURLING



NOTE:

BLOCK NUMBERS 1-4 ... RUTGERSON SERIES 500 W/ SPRINGS  
BLOCK NUMBRES 5,6 ... RUTGERSON SERIES 600 W/ SPRINGS