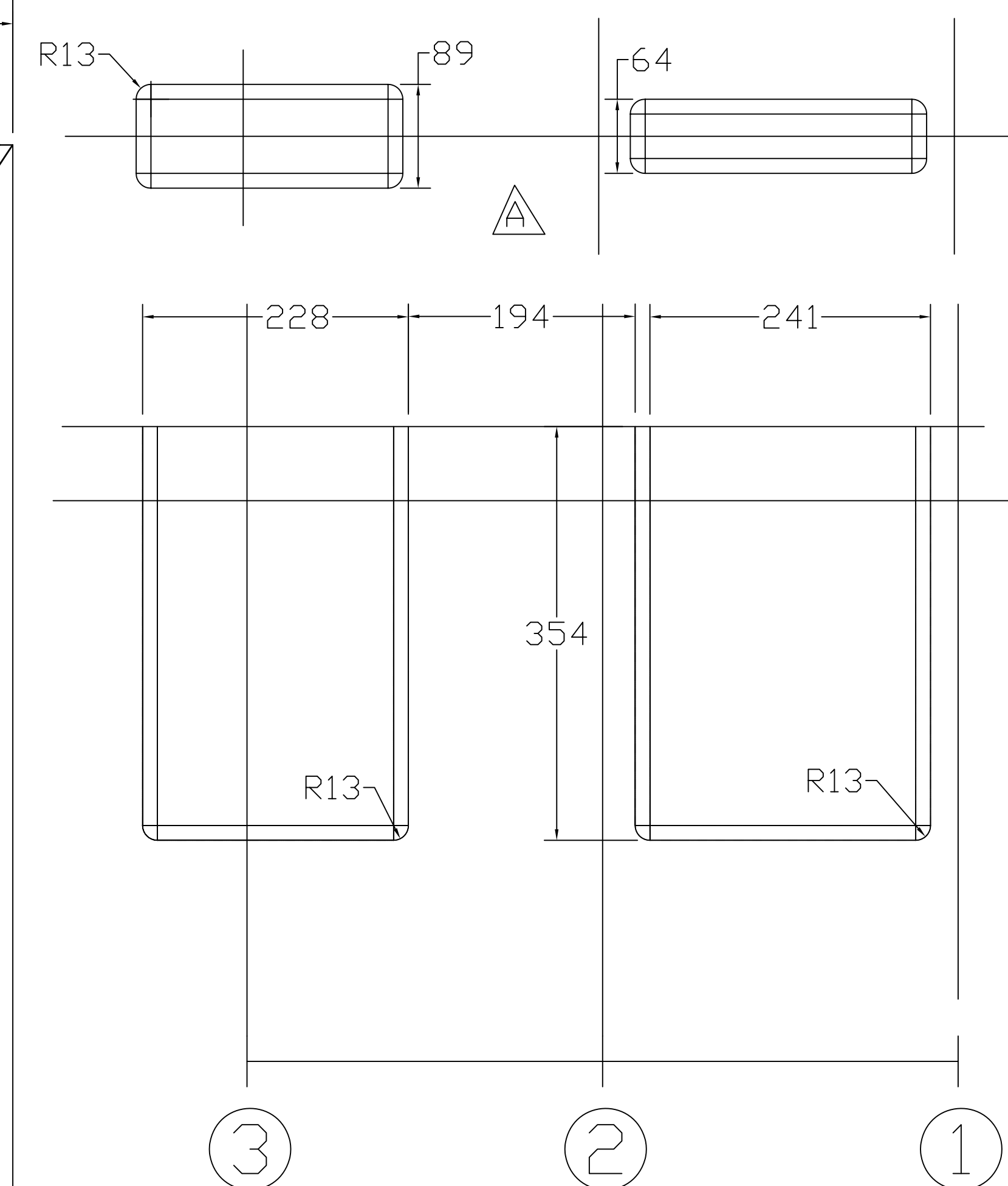
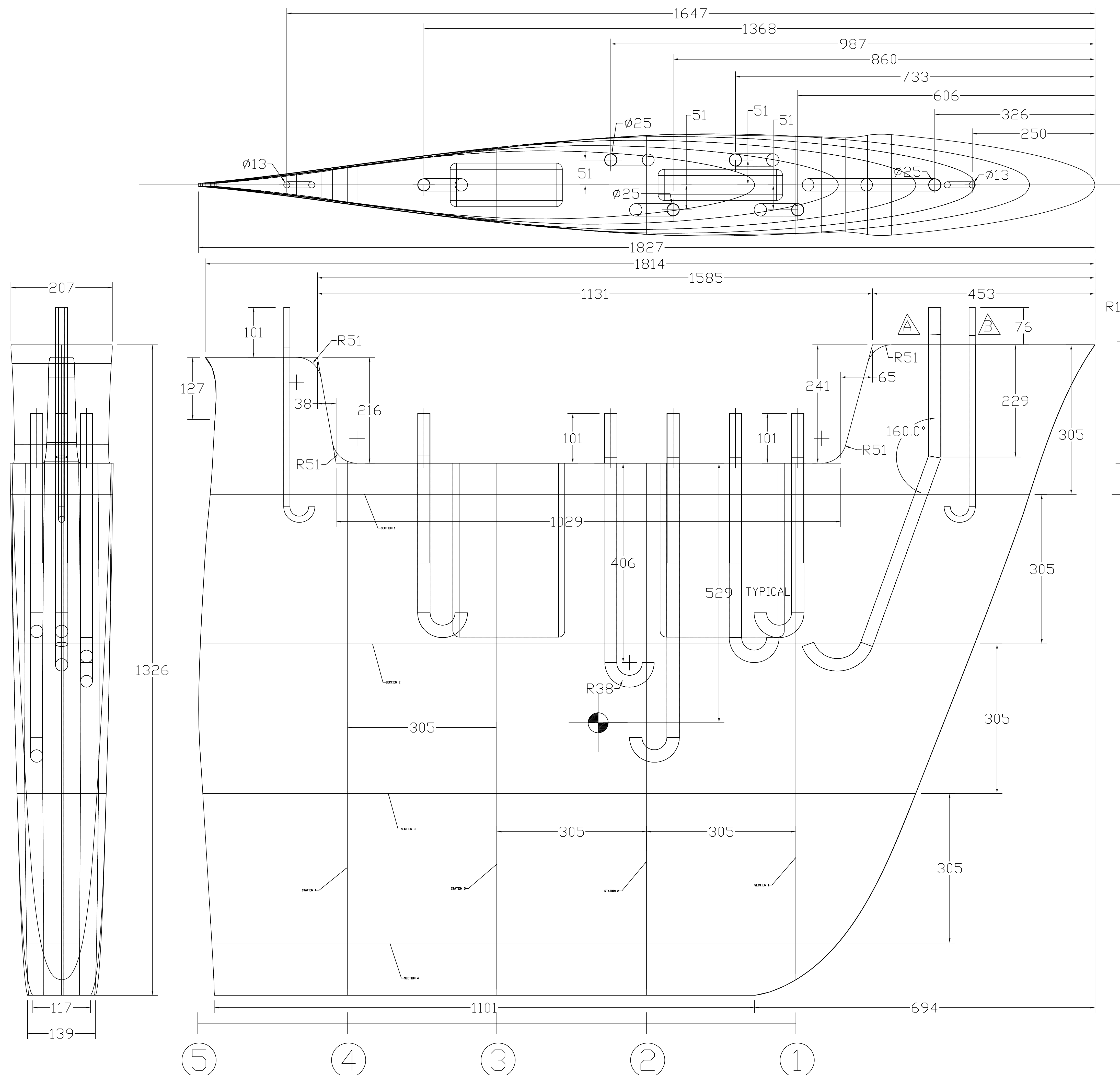


SYMBOL	REVISIONS	DATE	ENG
A	MOVE KEEL BOLT	05/31/01	GMH
B	ADD 1/2" J BOLT	27/07/02	SMV
C	METRIC & ADDED SECTIONS	31/07/02	SMV
D	CONFIRMED WEIGHT & NEED FOR POCKETS	25/10/02	SMV

DEEP KEEL

1. MATERIAL: LEAD / 2% ANTIMONY CONTENT
2. ALL DIMENSIONS ARE MILLIMETRES AND DEGREES
3. ALL WELDS TO MEET AWS STANDARDS.
4. BREAK AND DEBURR ALL EDGES
5. BOLTS ARE TO BE MADE OF 316L STAINLESS STEEL
6. BOLT PATTERN TO MATCH H356 SHOAL KEEL
7. SHOAL KEEL = 2278KG (5023 LBS.)
8. DEEP KEEL = 2251KG (4963 LBS.)



PROPRIETARY INFORMATION: THIS DRAWING CONTAINS INFORMATION FOR WHICH HUNTER MARINE CORPORATION HAS PROPRIETARY RIGHTS.

**HUNTER 350**

DRAWING TITLE: L356 DEEP KEEL			
DRAWN BY: GH	DATE: 05-Jun-01	SHEET 1 OF 10	
SCALE: 0.020	HUNTER PART NO: TBD	REVISION: -	DRAW # 35014002