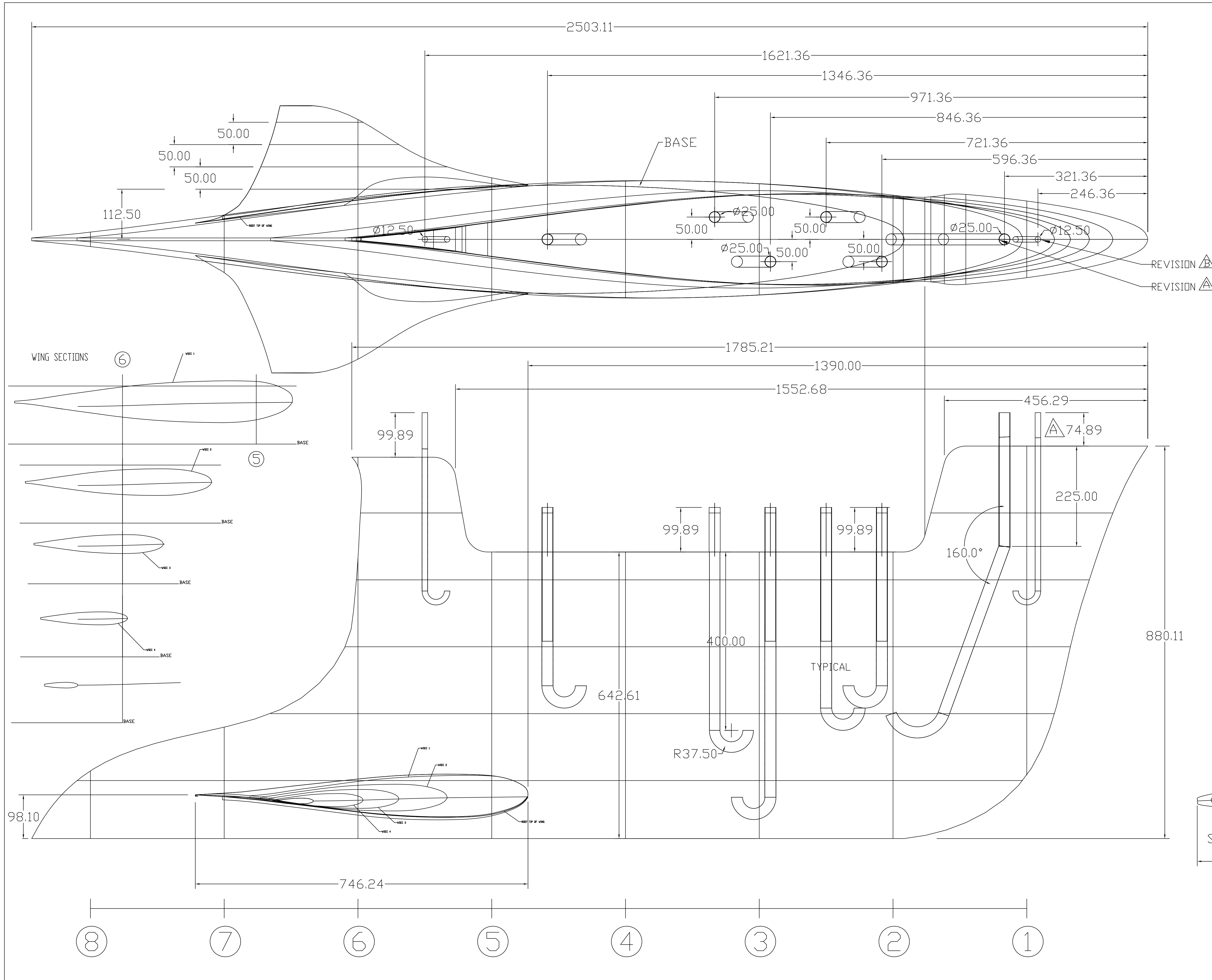
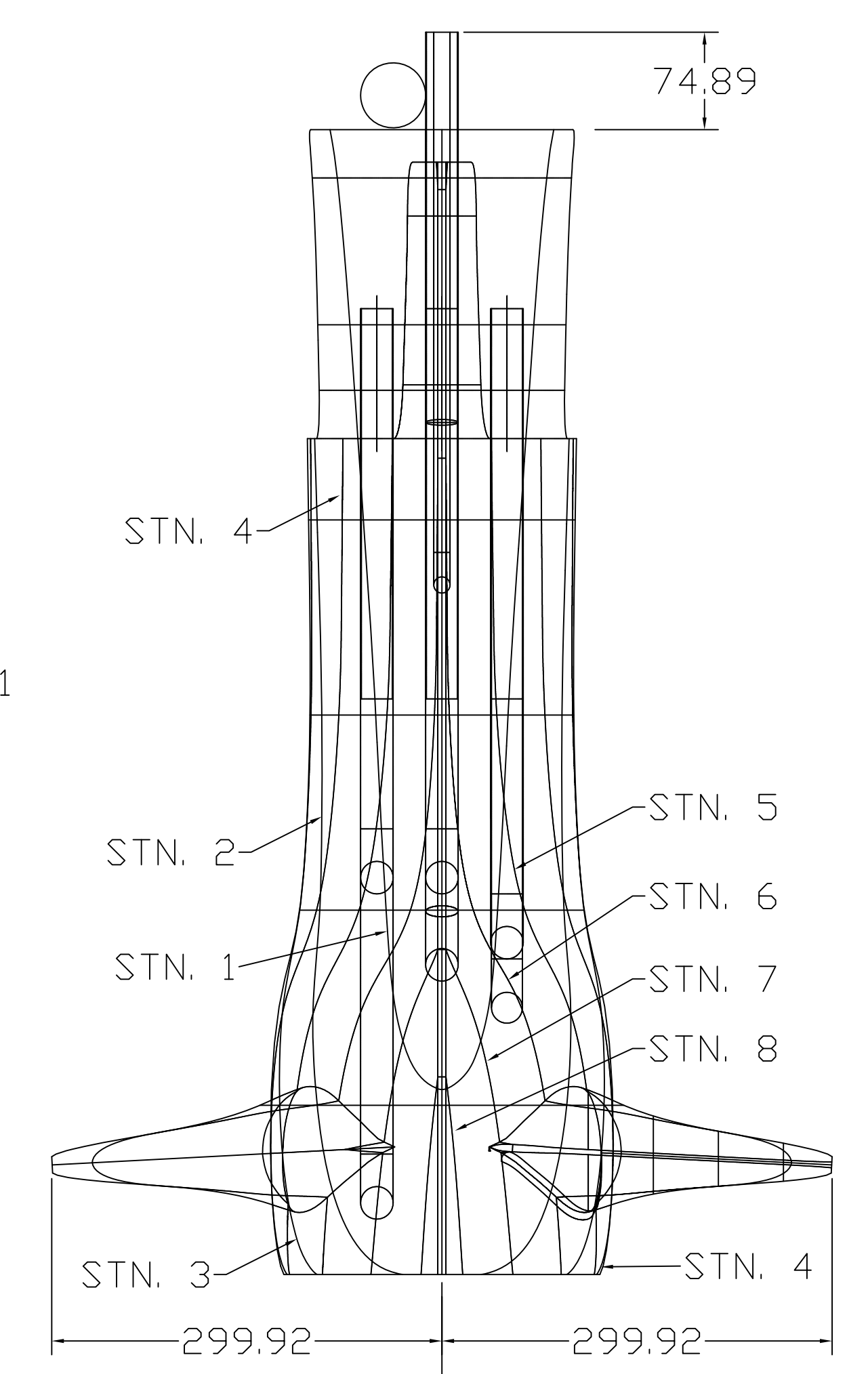


SYMBOL	REVISIONS	DATE	ENG
A	MOVE KEEL BOLT	05/31/01	GMH
B	ADD 1/2" J BOLT	27/07/02	SMV



SHDAL KEEL
 NOTES: SCALE=0.250
 1. MATERIAL: LEAD / 2% ANTIMONY CONTENT
 2. ALL DIMENSIONS ARE INCHES AND DEGREES
 3. ALL WELDS TO MEET AWS STANDARDS.
 4. BREAK AND DEBURR ALL EDGES
 5. BOLTS ARE TO BE MADE OF 316 STAINLESS STEEL
 6. BOLT PATTERN TO MATCH H356 DEEP KEEL
 7. SHDAL KEEL = 5023 LBS.
 8. DEEP KEEL = 4963 LBS.



PROPRIETARY INFORMATION THIS DRAWING CONTAINS INFORMATION FOR WHICH HUNTER MARINE CORPORATION HAS PROPRIETARY RIGHTS

HUNTER 350

DRAWING TITLE: L356 SHDAL KEEL

DRAWN BY: GH DATE: 05-Jun-01 SHEET 1 OF 10

SCALE: 0.020 HUNTER PART NO. TBD REVISION: - DRAW # 35014003