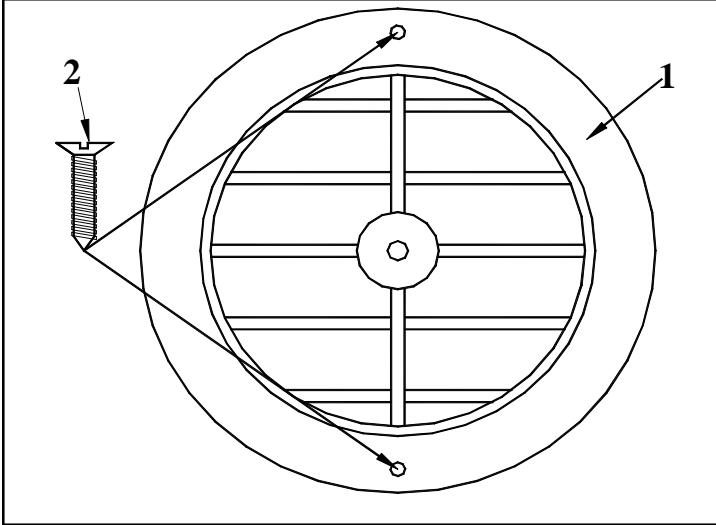


# 356 SOP VENT FOR DORADE INSTALLATION



#	Qty.	Description	Size	Part #
1	1	Round Grill	N/A	256778
2	2	Dorade Vent Fasteners	#8 x 3/4" T/H Beige	467985

1. The location of the holes for the dorade vent is located in the mid ship headliner.
2. Place the vent in position (make sure the mounting holes are facing forward and aft).
3. Mark the mounting hole locations then remove the vents.
4. Drill the marked locations using an 1/8" drill bit.
5. Using a die grinder shave the nibs off the sides if the vent. This will allow the vent to fit into the pipe.
6. Secure the dorade vents to the headliner using the designated fasteners.

**Revision Dates:** **Expected Time: 15 min.**