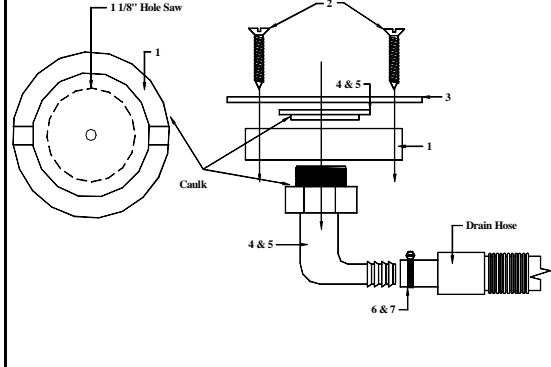
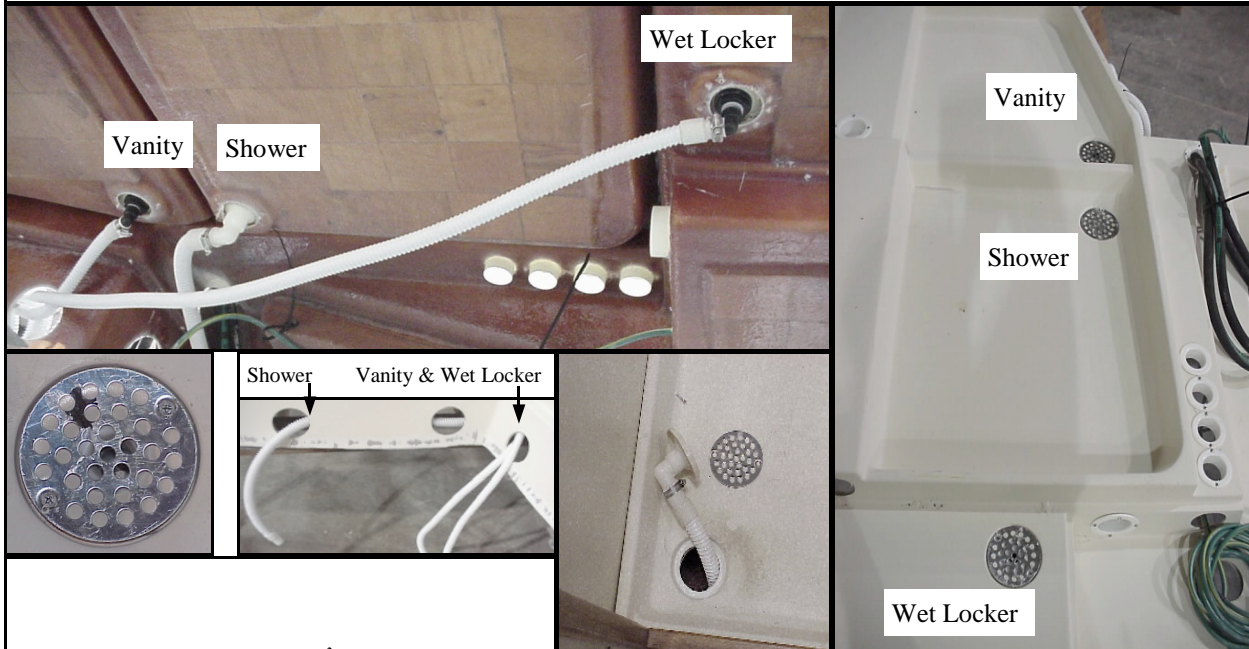


356 SOP SHOWER, VANITY FLOOR & WET LOCKER FLOOR DRAIN INSTALLATION



#	#Ea	Description	Size	Part #
1	3	ABS Drain Cover	N/A	256445
2	6	Drain Cover Fasteners	#10 x 1-1/4" F/H	460830
3	3	Drain Strainer	4" SS	350421
4	1	Drain Assembly	1" X 90°	350655
5	2	Drain Assembly	3/4" X 90°	350673
6	1	Hose Clamps	#12	353373
7	2	Hose Clamps	#10	353355

1. Three floor drains are installed in the 356, one in the wet locker area, one in the shower, and one in the vanity area. The installation is the same with the exception that the shower drain will get a 1" drain (attached to the drain hose with a #12 hose clamp) and the wet locker and vanity area will get a 3/4" drain Attached to the drain hoses with a #10 hose clamp).
2. Clean the surfaces of the drain and drain cover with alcohol then caulk both sides of the drain and attach it to the ABS drain cover. Note: For type of caulk see page 1, #3.
3. Attach the drain hose to the bottom of the drain using the designated clamp. Run the other end of the drain hose to the sump pump area.
4. Clean the outside of the drain cover and the drain cover receiver in the shower pan with alcohol then place the ABS drain cover in position so the two indentations are running port to starboard then caulk well to insure there are no leaks. Note: For type of caulk see page 1, #3.
5. Place the drain strainer in position then mark the mounting hole locations (the screws should go thru the indentations).
6. Drill the marked locations using a 1/8" drill bit.
7. Caulk the mounting holes and the drain cover and pan then secure the drain strainer to the drain cover and the pan using the designated fasteners. Note: For type of caulk see page 1, #3.
8. Run the three hoses under the pan. Run the vanity and wet locker hoses and out the forward port hole in the sump pump area, and the shower hose out the forward starboard hole in the sump pump area.

Revision Dates:

Expected Time:

Page 16