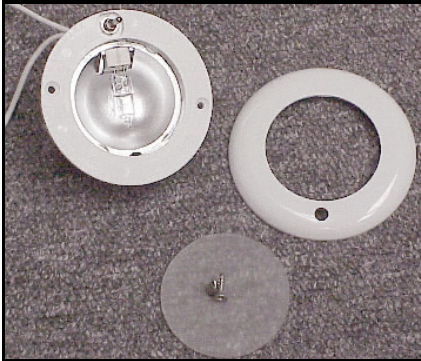
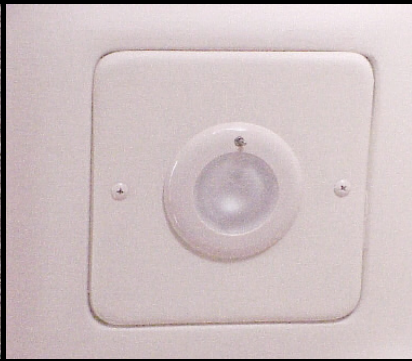


356 SOP HALOGEN SWITCH LIGHT INSTALLATION



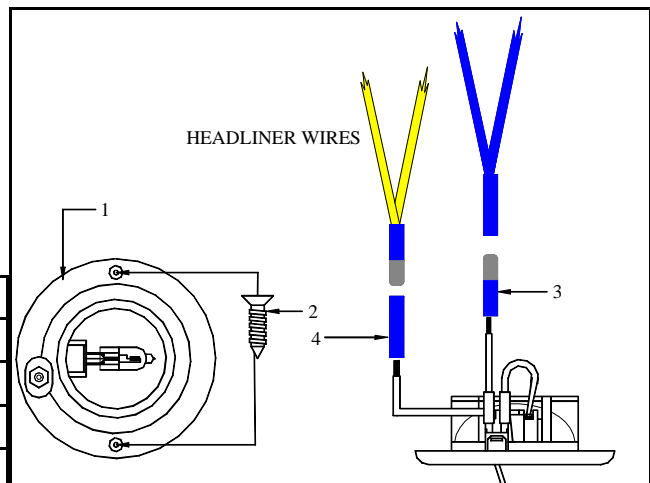
HALOGEN LIGHT TAKEN APART:
LIGHT BASE, RETAINER RING,
LENS, AND SCREWS



HALOGEN LIGHT MOUNTED IN
ACCESS PANEL AND SECURE TO
HEADLINER (IN ENTRY WAY OF
THE Q-BERTH)



HALOGEN LIGHT MOUNTED
ONTO A LIGHT STEM IN THE
WHISPER HEADLINER



#	Qty.	Description	Size	Part #
1	4	Halogen Light w/Switch	8777-WHS	255698
2	8	Halogen Light Fasteners	Comes With Light	255698
3	4	Bullet Plug	16-14 GA	P2900
4	4	Bullet Receptacle	16-14 GA	P2901

1. There are four halogen lights with a switch located in the 356 boat. Three of these lights will be mounted to the light stems attached to the underside of the deck after the whisper headliner has been installed: two are in the aft end of the v-berth, one is 8" forward of the companionway walk thru in the main cabin. The fourth light will be attached to an access panel then the access panel will be mounted to the headliner in the entry way of the q-berth (the more aft-inboard hole of the two holes there), this light can be mounted any time after the headliner wiring harness has been installed.
2. The lights will need a bullet plug attached to the wire coming from the switch and a bullet receptacle attached to the other wire.
3. The orientation of the switch will be determined by the notch in the cutout. These 3/8" to 1/2" notches should already be in the light stems and they should be orientated as follows: The two in the v-berth face inboard, the one just forward of the companionway walk-thru should face aft and the one in the entry way of the q-berth should face forward.
4. Remove the light cover and save the fasteners. Place the light in position then mark the mounting hole locations.
5. Drill the marked locations with a 3/32" drill bit.
6. Pull the blue and yellow wires out of the light stems or headliner thru the large center hole. And plug them into the lights.
7. Secure the lights to the headliner using the fasteners that came with the light.
8. Snap the light cover into place.

Revision Dates:

Expected Time: