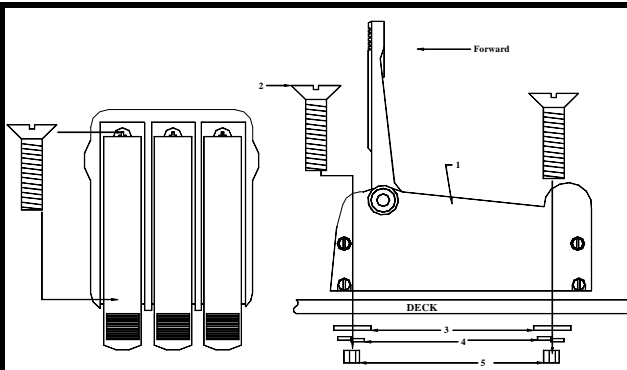
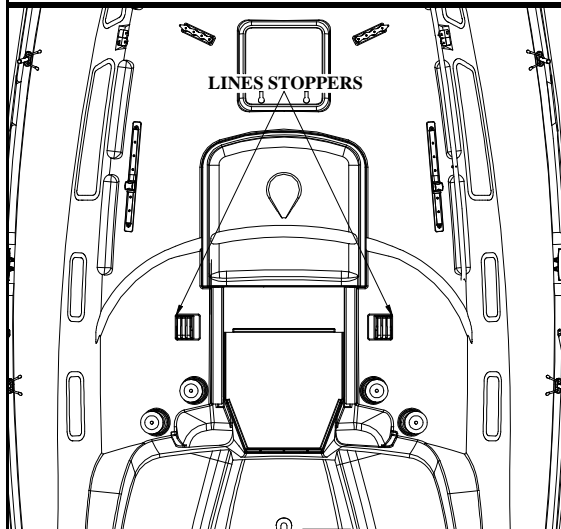
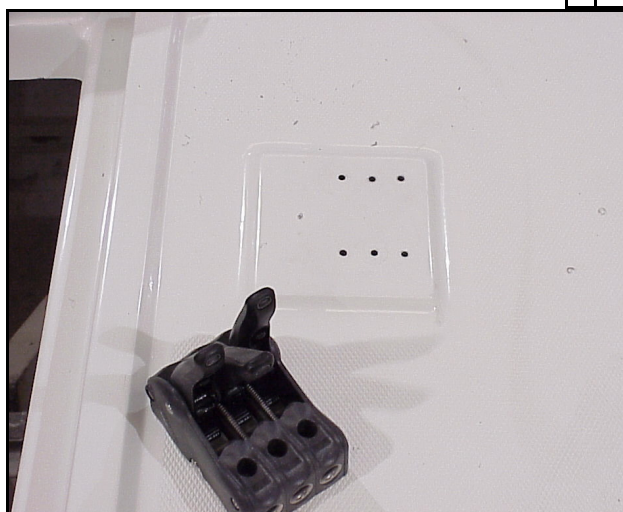


# 356 SOP LINE STOPPER INSTALLATION

PAGE 27



#	#Ea.	Description	Size	Part #
1	2	Line Stopper	N/A	304000
2	12	Line Stopper Bolts	1/4-20 x 1 1/2" F/H	462170
3	12	Washer Fender (Port Side)	1/4"	469110
4	12	Lock Washer (Port Side)	1/4"	469470
5	12	Nut Hex (Port Side)	1/4-20	465070



1. The line stoppers are to be located on the deck embossment just port and starboard of the companionway walkthrough.
2. Use the designated fiberglass splash to mark the mounting hole locations.
3. Drill the marked locations with a 13/64" drill bit then tap the holes with a 1/4-20 tap.
4. Dremel the holes to expose raw edge of glass (only the edge of hole).
5. Clean the surface and hardware with alcohol.
6. Caulk all the mounting holes with designated caulk (See page 1 #1).
7. Secure the line stopper to the deck with the designated fasteners then tighten fasteners until the lock washers are closed.
8. Clean up excess caulk using alcohol.

Revision Dates:

Expected Time: 20 min.