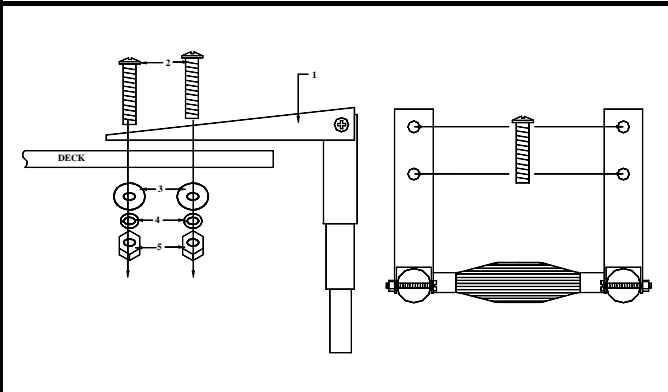
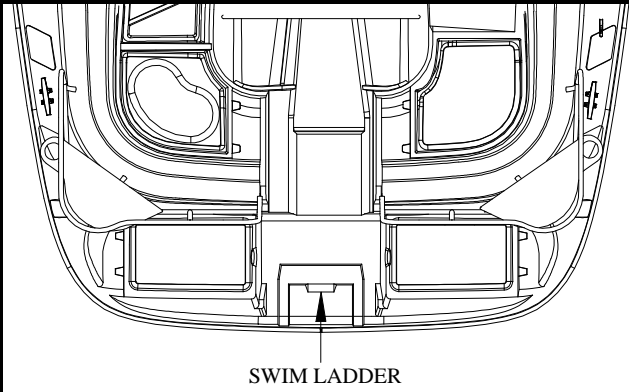


356 SOP SWIM LADDER INSTALLATION



#	#Ea.	Description	Size	Part #
1	1	Telescoping Swim Ladder	3XL 16" Wide	303650
2	4	Swim Ladder Fasteners	1/4-20 x 1 1/4" P/H	466330
3	4	Fender Washer	1/4"	469110
4	4	Lock Washer	1/4"	469470
5	4	Hex Nut	1/4-20	465070

1. Lay the ladder in the embossment at the very aft end of the deck then mark the mounting hole locations.
2. Drill the marked locations using a 1/4" drill bit.
3. Dremel the mounting holes to expose raw edge of glass (only edge of hole).
4. Clean the surface of the deck and hardware with alcohol.
5. Caulk the mounting holes with designated caulk (See page 1 #1).
6. Secure the swim ladder to the deck using the designated fasteners then tighten until the lock washers are closed.
7. Clean up excess caulk using alcohol.

Revision Dates:

Expected Time: 10 min.